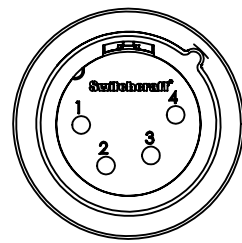
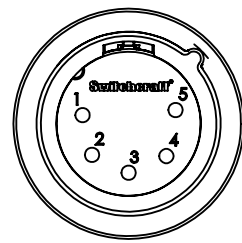


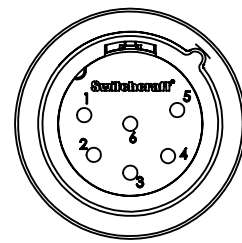
3 PIN



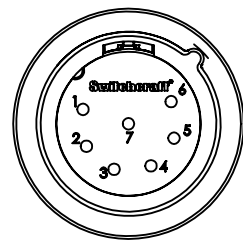
4 PIN



5 PIN

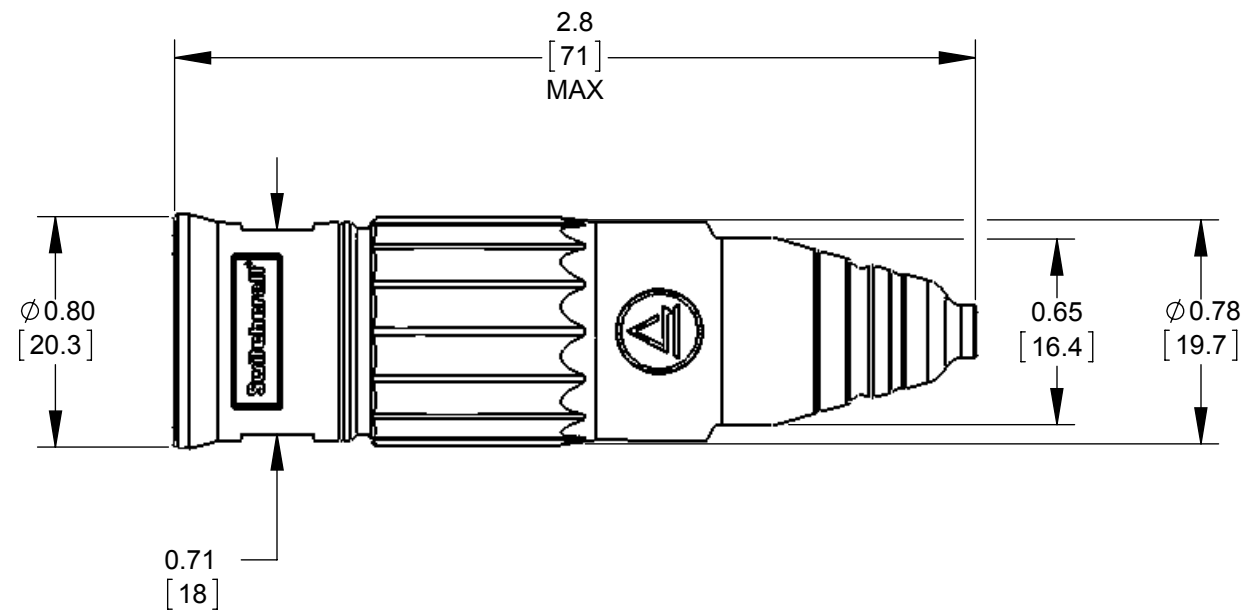


6 PIN



7 PIN

CONTACTS AS VIEWED FACING MALE CONNECTORS



AAA_M_ZH

AAA SERIES

OF CONTACTS:
3 - 7

GENDER:
MALE

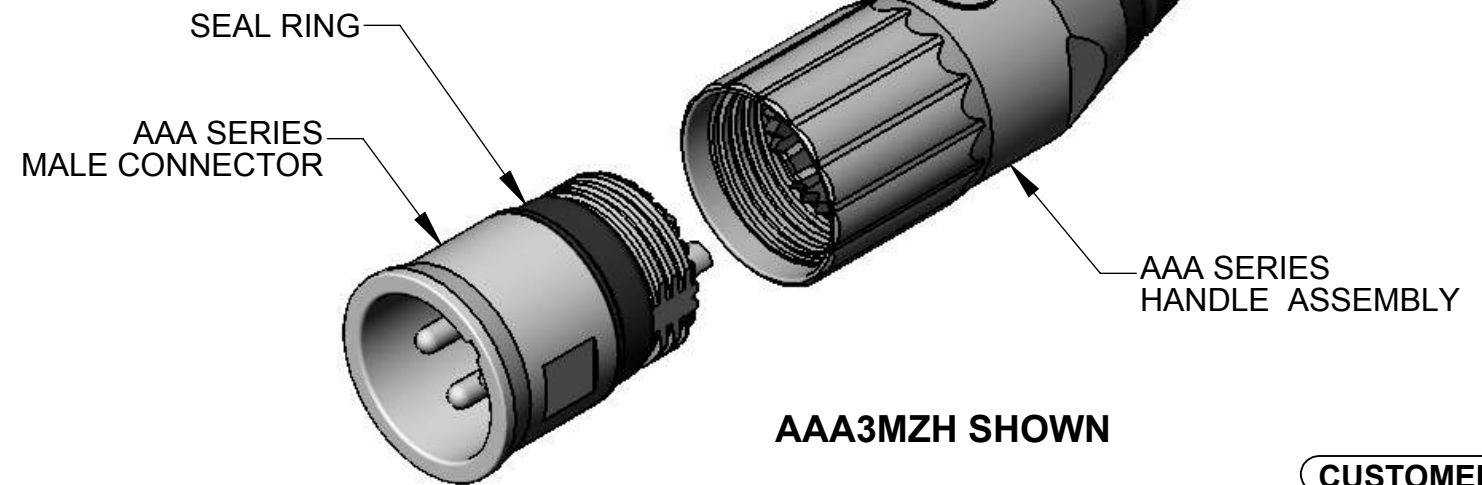
HANDLE STYLE:
BLANK - METAL HANDLE
P - PLASTIC HANDLE, BLACK

FINISH:
BLANK - NICKEL HOUSING & HANDLE / GREEN INSERT
B - BLACK HOUSING, HANDLE, & INSERT

CONTACT PLATING:
BLANK - SILVER
AU - GOLD

CABLE STRAIN-RELIEF SIZE:
BLANK - FOR CABLE O.D. 0.150 [3.8 mm] - 0.285 [7.2 mm]

SEALED HARSH ENVIRONMENT



NOTES:

1. CONNECTORS AND HANDLES SHIPPED UNASSEMBLED, PACKED SIDE BY SIDE OR IN BULK.

2. MATERIALS:
HOUSING, HANDLE - ZINC ALLOY, NICKEL OR BLACK FINISH
INSULATOR - THERMOPLASTIC, GREEN OR BLACK
CABLE CLAMP - THERMOPLASTIC, BLACK
GROUND TERMINAL - COPPER ALLOY, TIN PLATED
CONTACTS - COPPER ALLOY, SILVER OR GOLD PLATED
SEAL RING, CABLE STRAIN-RELIEF - ELASTOMER, BLACK

3. THESE PRODUCTS ARE RoHS COMPLIANT.

CUSTOMER DRAWING

					THIS DRAWING DESCRIBES A DESIGN CONSIDERED PROPRIETARY IN NATURE, DEVELOPED AND MANUFACTURED BY SWITCHCRAFT INC. AND IS RELEASED ON A CONFIDENTIAL BASIS FOR IDENTIFICATION PURPOSES ONLY.				
UNLESS OTHERWISE SPECIFIED					SIZE	WIDTH	MULT	LBS/M	TEMPER
1. ALL DIMENSIONS IN INCHES					FINISH				MATERIAL
- TWO PLACE DECIMALS ±0.02					SPEC No.				SPEC No.
- THREE PLACE DECIMALS ±0.005					FIRST USED ON		SCALE 1.5:1		
DATE DRAWN		BY	CHKD	APVD					
4/12/12		PNK	PNK	SRC					
REVISIONS					NAME		PART No.		
A	27284	4/17/14	TJK	TJK	SEALED AAA MALE		AAA_M_ZH SERIES		
REV	ECO NUMBER	DATE	BY	APVD	XLR CONNECTORS, RoHS		REV A		
DO NOT SCALE DRAWING									