

PART NAME: KNOB SCALE: 1:1 DATE: 8/12/99 DR. BY TL

THIS DRAWING IS THE PROPERTY OF DAVIES MOLDING COMPANY, IS SUBMITTED SOLELY AS A DESIGN OR ENGINEERING PROJECT.
WE ACCEPT NO RESPONSIBILITY WHATSOEVER FOR THE PRACTICAL APPLICATION OF THE PIECES MADE TO THIS DESIGN.



DESIGNERS & MANUFACTURERS
OF KNOBS, HANDLES, CASES &
CUSTOM PLASTIC COMPONENTS

P/N 4320DC

INSERT I1427

ROTARY TABLE SETUP

UNIT IN PRESS DH1 OR 2

F^{NO} TOP IR-4320

F^{NO} BOTTOM IR-4320

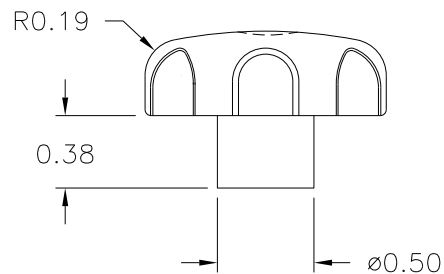
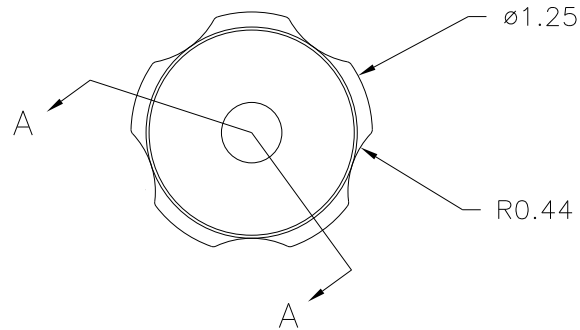
CAVITY IR-4320

CORE IR-4320

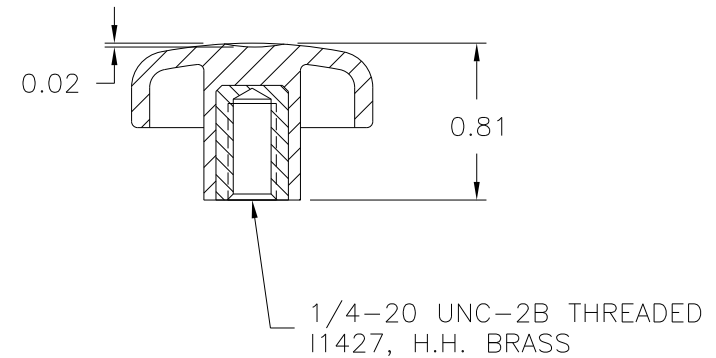
CORE PLUG 4320

CORE PIN 4320DC

Ⓐ RUNNER EJT. PIN PLUG INSTALLED



SECTION A-A



MATERIAL: 33% GLASS FILLED NYLON (BD1)
COLOR: BLACK

TOLERANCES: UNLESS OTHERWISE SPECIFIED	DO NOT SCALE DRAWING	A	ADDED TO TOOLING BOX	JAM	3/11/02
		-	CORRECTED TOOLING BOX	TS	6/14/2001
DECIMALS: X.XXX ± .005 X.XX ± .015	MM: X.XX ± 0.15MM X.X ± 0.4MM	-	UPDATED DRAWING	ST	5/22/2000
FRACTIONS ± 1/64	ANG. ± 1°	CHANGES			