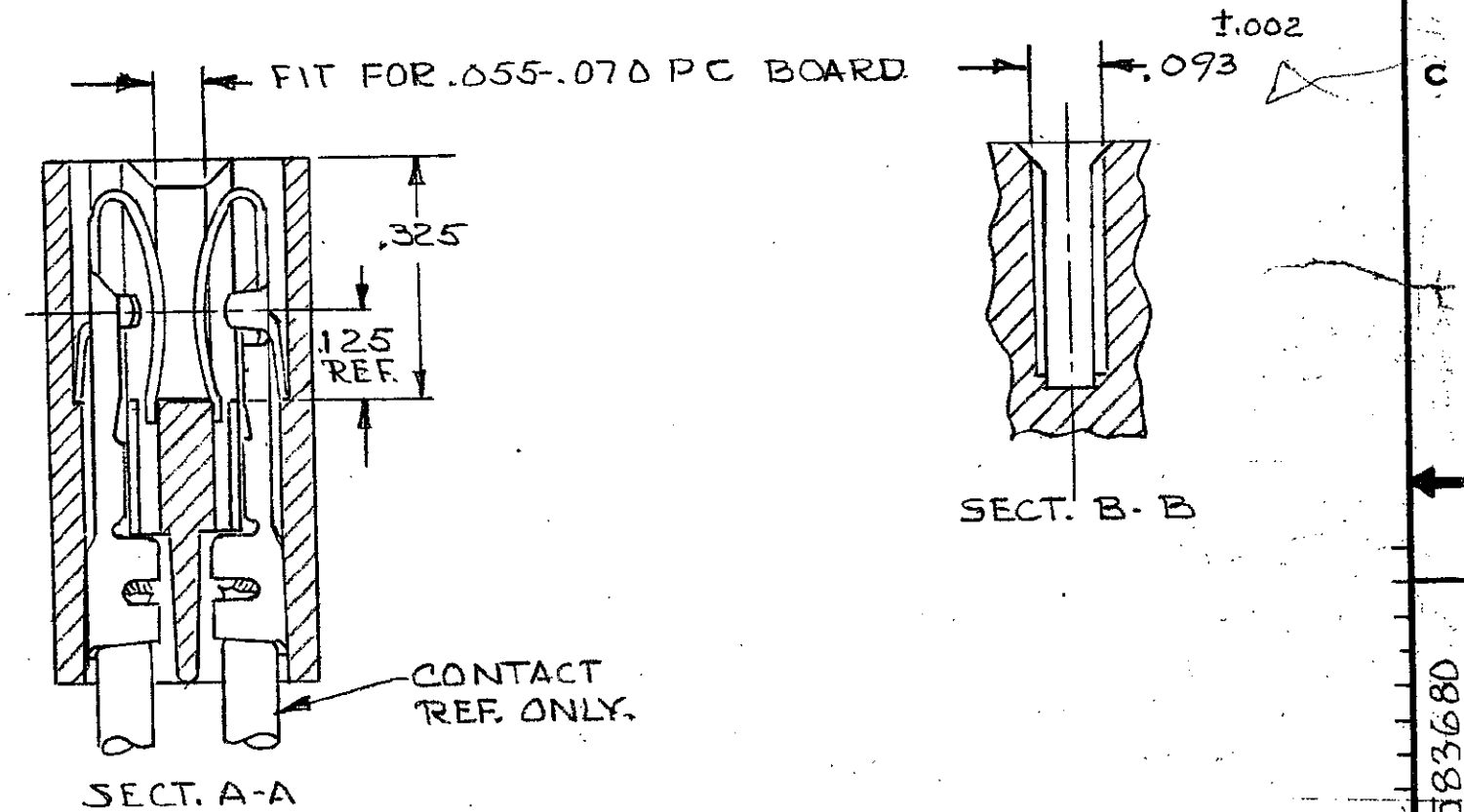
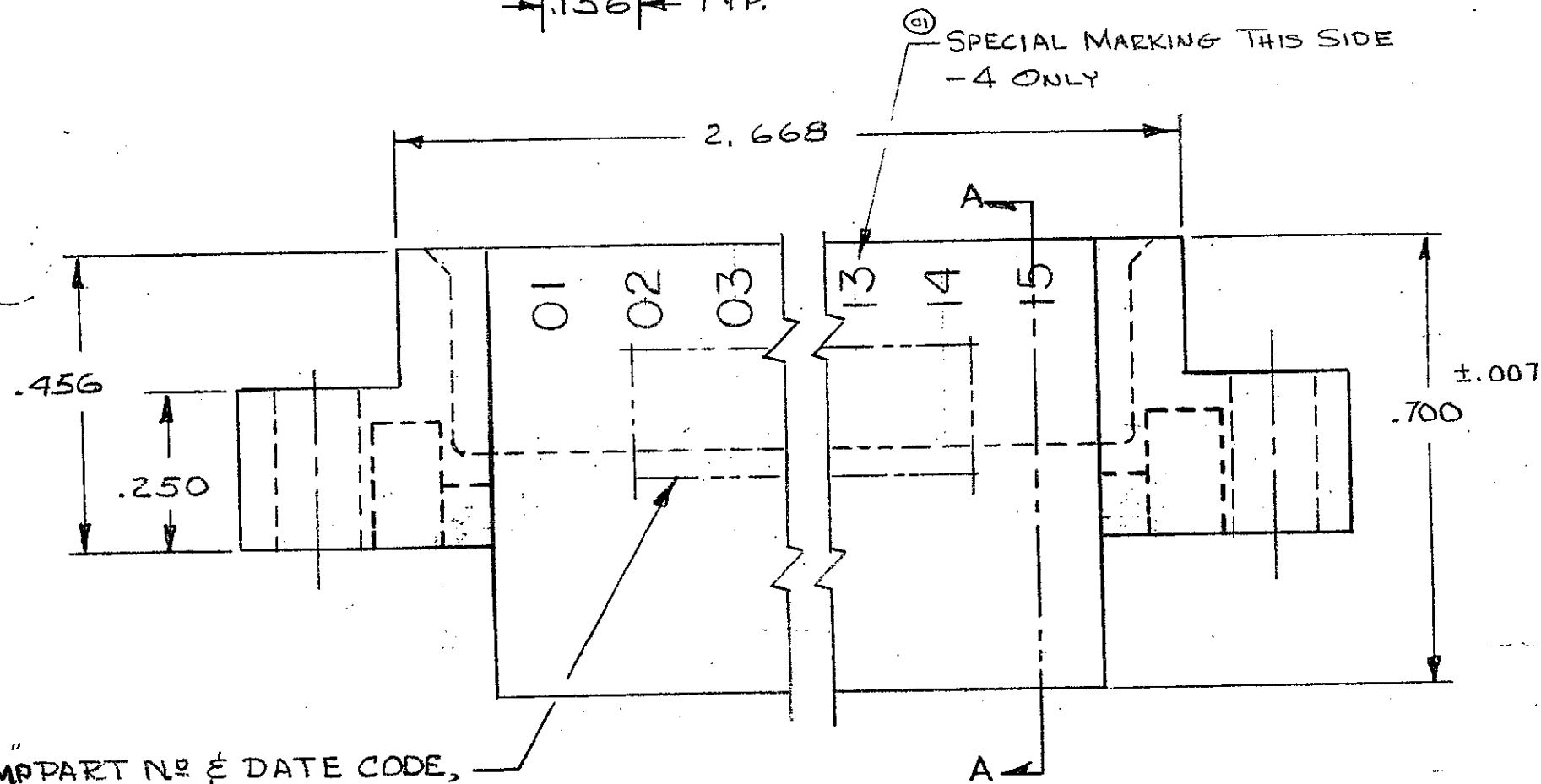
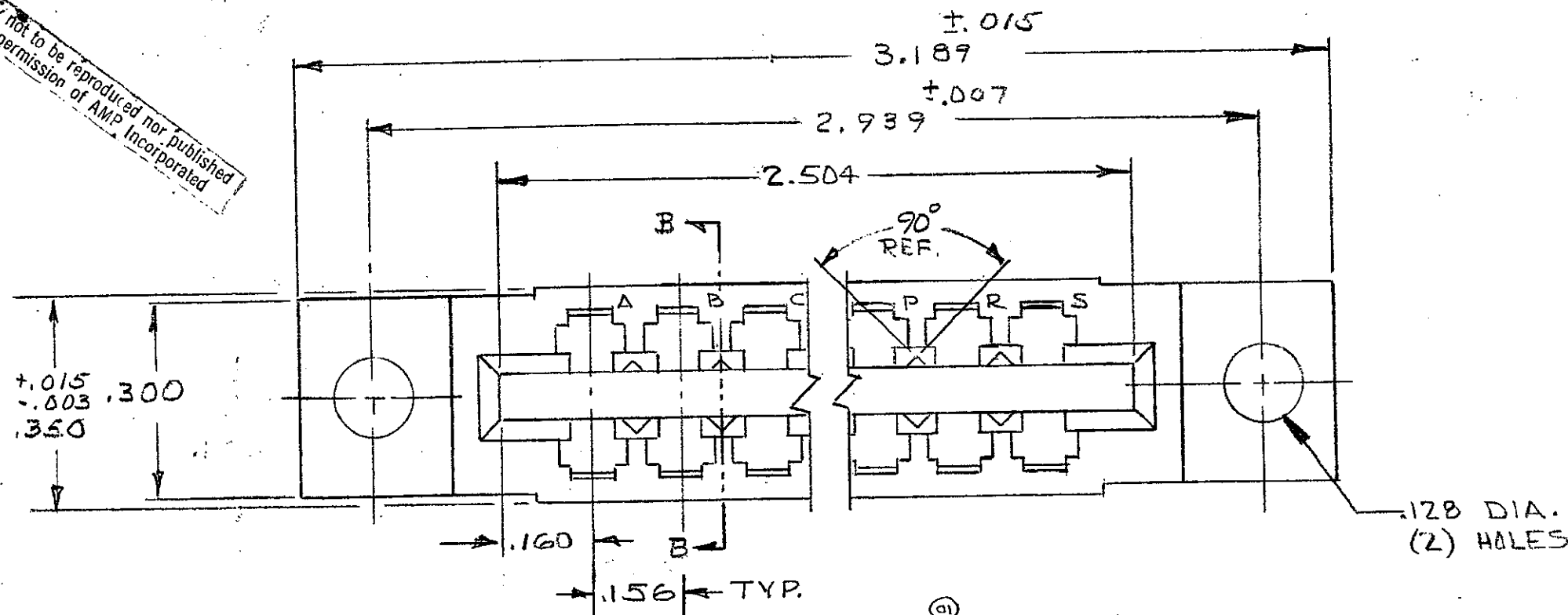


© 1970 BY AMP INCORPORATED. ALL RIGHTS RESERVED. AMP PRODUCTS COVERED BY PATENTS AND/OR PATENTS PENDING.

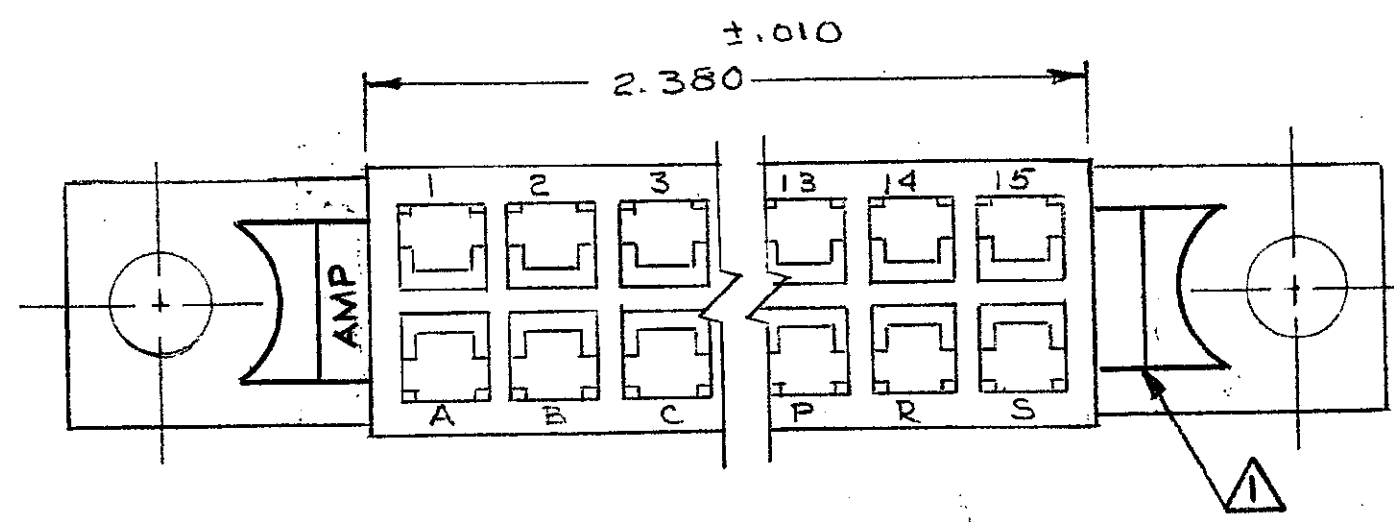
583680-1: 1.A.S SHOWN

OBSOLETE ~~583680-4:1 SPECIAL MARKING~~

REVISIONS				
ZONE	LTR	DESCRIPTION	DATE	APPROVED
	0	RELEASED WAS 5112-236-1 CUST.	JW 12-30-70	D.H.
	a1	ADDED - 4 \pm SPECIAL MKG (-4 WAS 5112-280)	DRF 11-10-71	D.H.
	A	REVISED MAT'L 4657	DR 1-9-74	DR M.S.
	B	REV PER ADO702	5/13/85	CP / [unclear]
	C	REV PER AD 2118	3/88	LEW
	D	REV PER AD 3180	1/89	W / [unclear]
	E	REV PER 0010-0337-95	10-17-95	P.B.
	F	REV PER EC 0320-349-97	25 NOV 97	NS



HOT STAMP PART NO & DATE CODE, IN THIS AREA, PER 115-9009.



VOID CORING PERMISSIBLE AT AMP'S OPTION REF ONLY

UNLESS OTHERWISE SPECIFIED, DIMENSIONS ARE IN INCHES TOLERANCES ON: DECIMALS \pm .005 ANGLES \pm		CONTRACT NO.		AMP INCORPORATED HARRISBURG, PENNSYLVANIA	
MATERIAL GLASS FILLED NYLON OR POLYESTER COLOR: BLACK		DR <i>Runkle</i> 2-10-70	NAME HOUSING, AMP LEAF, 15 DUAL.		
		CHK <i>S. Heide</i> 1-5-71	NUMBER 583680		
		APPD <i>J Kaufman</i> 1-6-71	SIZE C	CODE IDENT NO. 00779	
		REL <i>Heide</i> 1-6-71	SCALE 4-1		SHEET 1 OF 1
		DSGN APPD	CUSTOMER DRAWING		
		OTHER APPD			

This drawing is not to be reproduced nor published without written permission of AMP Incorporated

NUMBER 583680