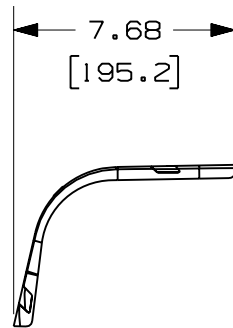
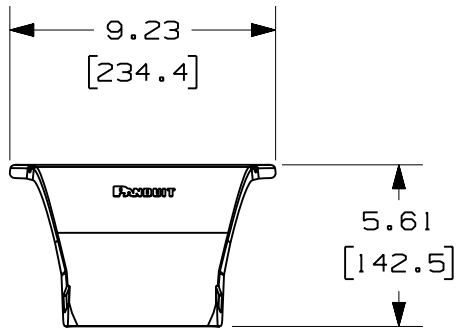


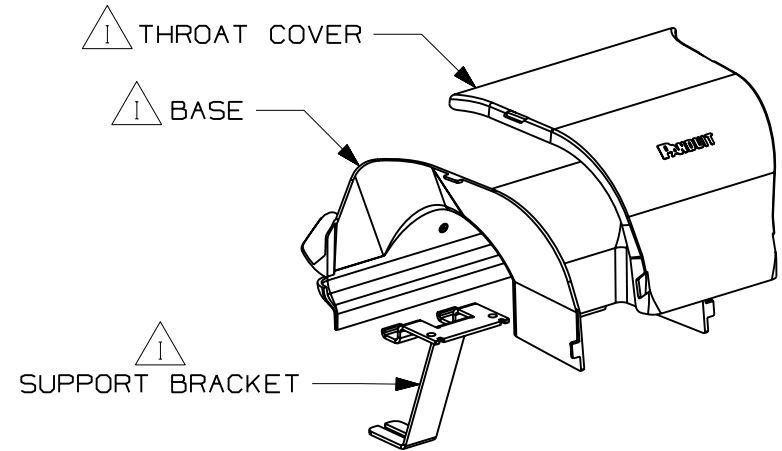
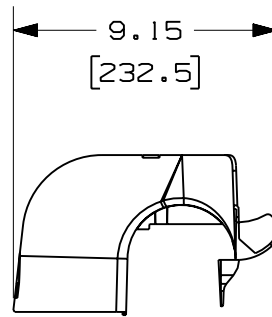
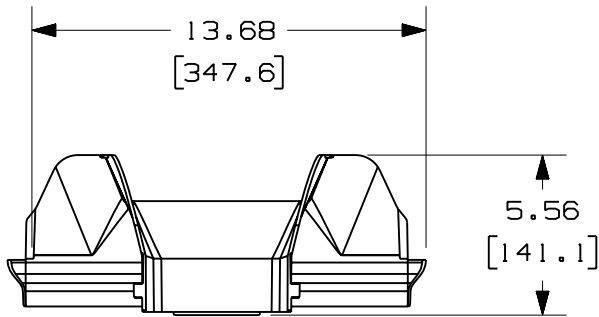


PANDUIT PART NUMBER	WEIGHT
FRSP4	1.64 LB/EACH (744g/EACH)



H NOTES:

- SEE CURRENT CATALOG FOR ADDITIONAL PART SUFFIXES TO INDICATE COLOR AND/OR PACKAGE QUANTITY.
- THE FIBERRUNNER SPILL-OVER JUNCTION WITH 4" EXIT INCLUDES:
 ONE (1) BASE,
 ONE (1) THROAT COVER,
 ONE (1) SUPPORT BRACKET,
 ONE (1) 1/4-20 T-BOLT,
 ONE (1) 1/4-20 HEX "KEPS" LOCK NUT,
 TWO (2) 1/4-14x1/2 HEX HEAD THREAD CUTTING TAPPING SCREWS
- DIMENSIONS IN PARENTHESES ARE IN METRIC.



ENG. REF.: D38206BL_DC_FRSP4_02.prt

CAD FILENAME/LAYERS E FRSP4.pdf

PANDUIT CORP TINLEY PARK, ILLINOIS
FIBERRUNNER SPILL-OVER JUNCTION WITH 4" EXIT (FRSP4)
 CUSTOMER DRAWING

UNLESS OTHERWISE SPECIFIED, DIMENSIONAL TOLERANCES ARE:
 (.X) ± (.XXX) ±
 (.XX) ± .03 (.8) ANGLES ±

UNLESS OTHERWISE SPECIFIED, ALL DIMENSIONS ARE GIVEN IN INCHES, THIRD ANGLE PROJECTION.

DRAWN BY JHNU	MAT'L: ABS/STEEL	SCALE NONE
DATE 5-8-02		DRAWING NO. 38206-11
CHK'D RPA		DWG A SIZE

REV	DATE	BY	CHK	DESCRIPTION	ECN	R	CUST	SUP	GMBH
-	-----	---	--	I. ADDED LOCAL NOTES. H. REVISED GENERAL NOTES.	-----	--	--		
-	-----	---	--	G. REVISED PART WEIGHT. F. REVISED DRAWING TITLE.	-----	--	--		
3	1-4-07	MSO	RN	E. REVISED CAD FILENAME. D. REVISED AND REDRAWN.	38206-11	RN	RN		