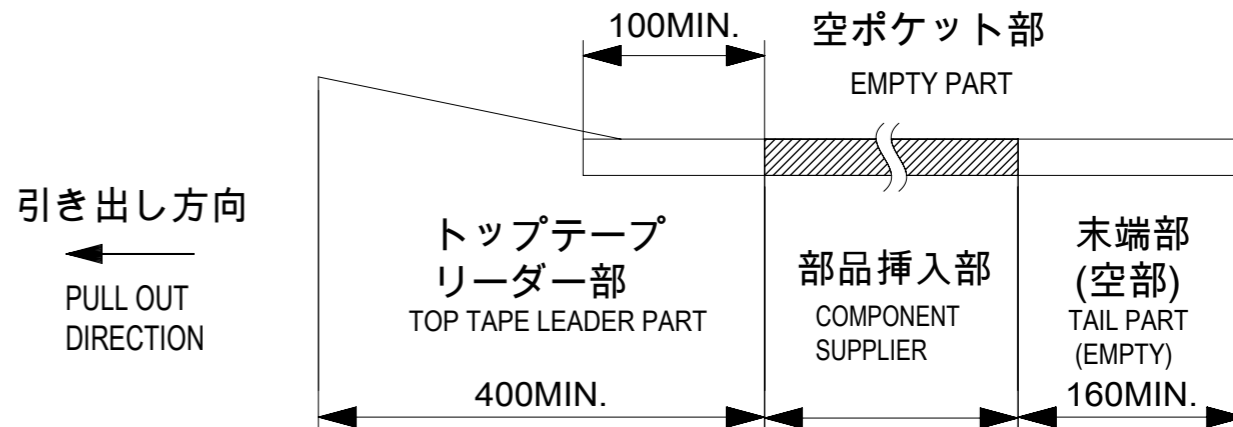


NOTES

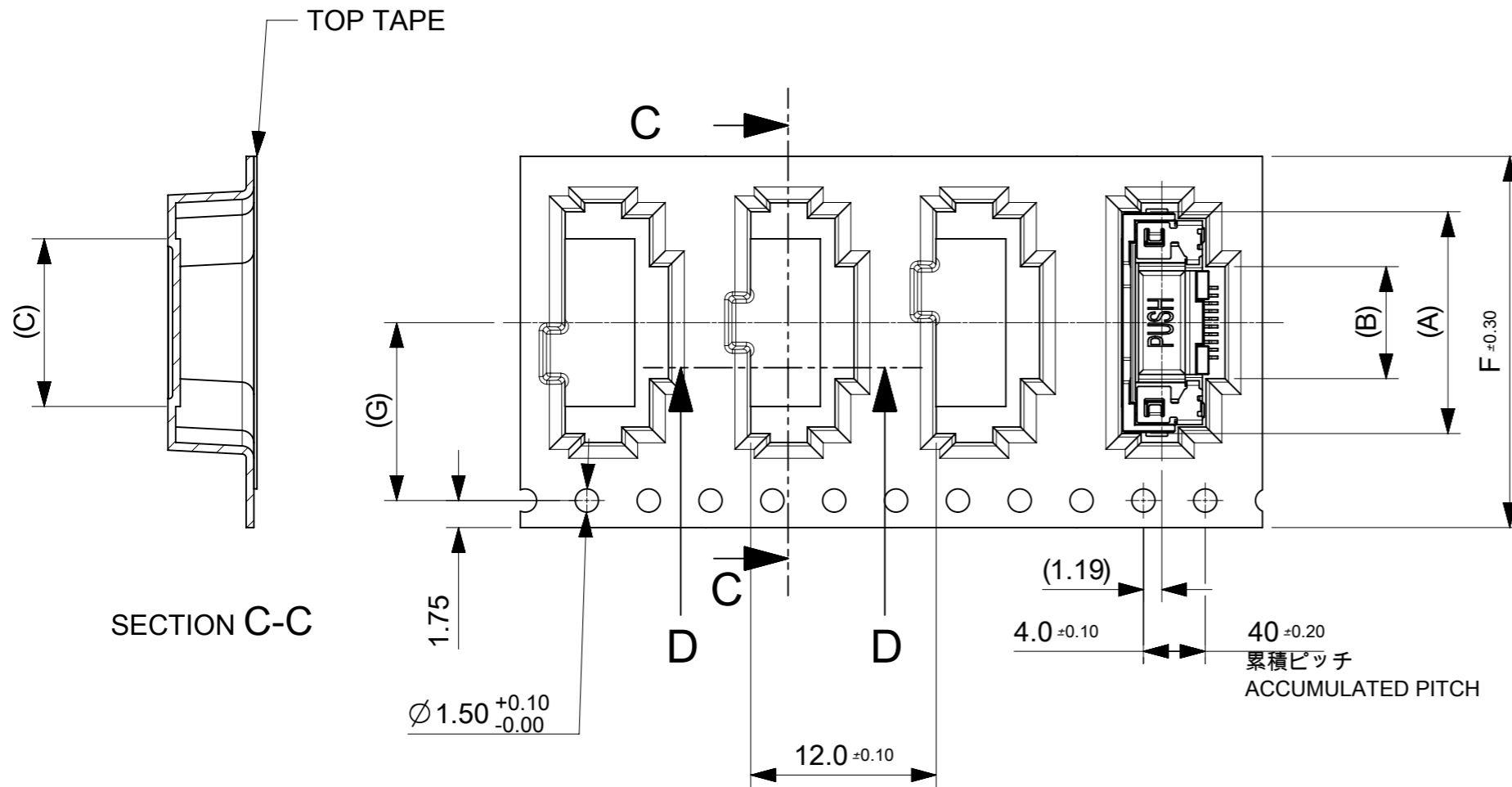
- 梱包数量 : 1500個 / リール
NUMBER OF CONNECTORS : 1500 PCS/REEL.
- リードテープ長さ
LEAD TAPE LENGTH



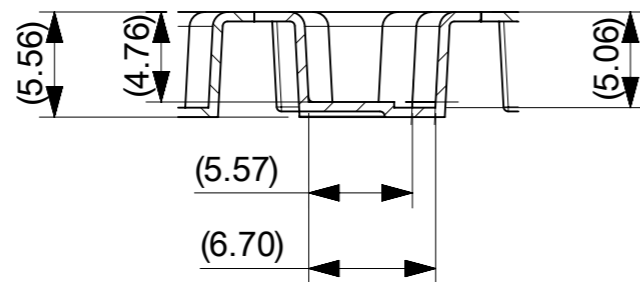
- カバーテープの剥離強度については、IEC60286-3に準拠。
TOP TAPE PEEL FORCE IS DEFINED BY IEC 60286-3.
- 製品詳細寸法については、図面 2004851400を参照下さい。
FOR DIMENTIONS OF PRODUCT, REFER TO 2004851400
- 材料 MATERIAL
キャリアテープ : ポリスチレン
CARRIER TAPE : POLYSTYRENE
トップテープ : ポリエチレンテレフタレート、ポリエチレン
TOP TAPE : POLYETHYLENE TEREHTHALATE, POLYETHYLENE
リール : ポリスチレン<リサイクル材を含む>
REEL: POLYSTYRENE RECYCLED MATERIAL CONTAINED
- ELV及びRoHS適合品 ELV AND RoHS COMPLIANT.

THIS DRAWING CONTAINS INFORMATION THAT IS PROPRIETARY TO MOLEX ELECTRONIC TECHNOLOGIES, LLC AND SHOULD NOT BE USED WITHOUT WRITTEN PERMISSION		CURRENT REV DESC:		molex		
DIMENSION UNITS	SCALE					
mm	NTS			EMB PKG ONE-TOUCH RA		
GENERAL TOLERANCES (UNLESS SPECIFIED)				PRODUCT CUSTOMER DRAWING		
ANGULAR TOL	± 1.0 °			DOCUMENT NUMBER		
4 PLACES	± 0.1	EC NO: 648126		2004850400		
3 PLACES	± 0.1	DRWN: TYAMANE		PSD		
2 PLACES	± 0.1	CHK'D: YMATSUMOTO		000		
1 PLACE	± 0.1	APPR: SHOSHIKAWA		B		
0 PLACES	± 0.1	INITIAL REVISION:		REVISION		
DRAFT WHERE APPLICABLE MUST REMAIN WITHIN DIMENSIONS		THIRD ANGLE PROJECTION	DRAWING	SERIES	MATERIAL NUMBER	CUSTOMER
			A3-SIZE	200485	SEE TABLE	GENERAL
						SHEET NUMBER
						1 OF 3

引き出し方向
PULL OUT
DIRECTION



SECTION C-C



SECTION D-D

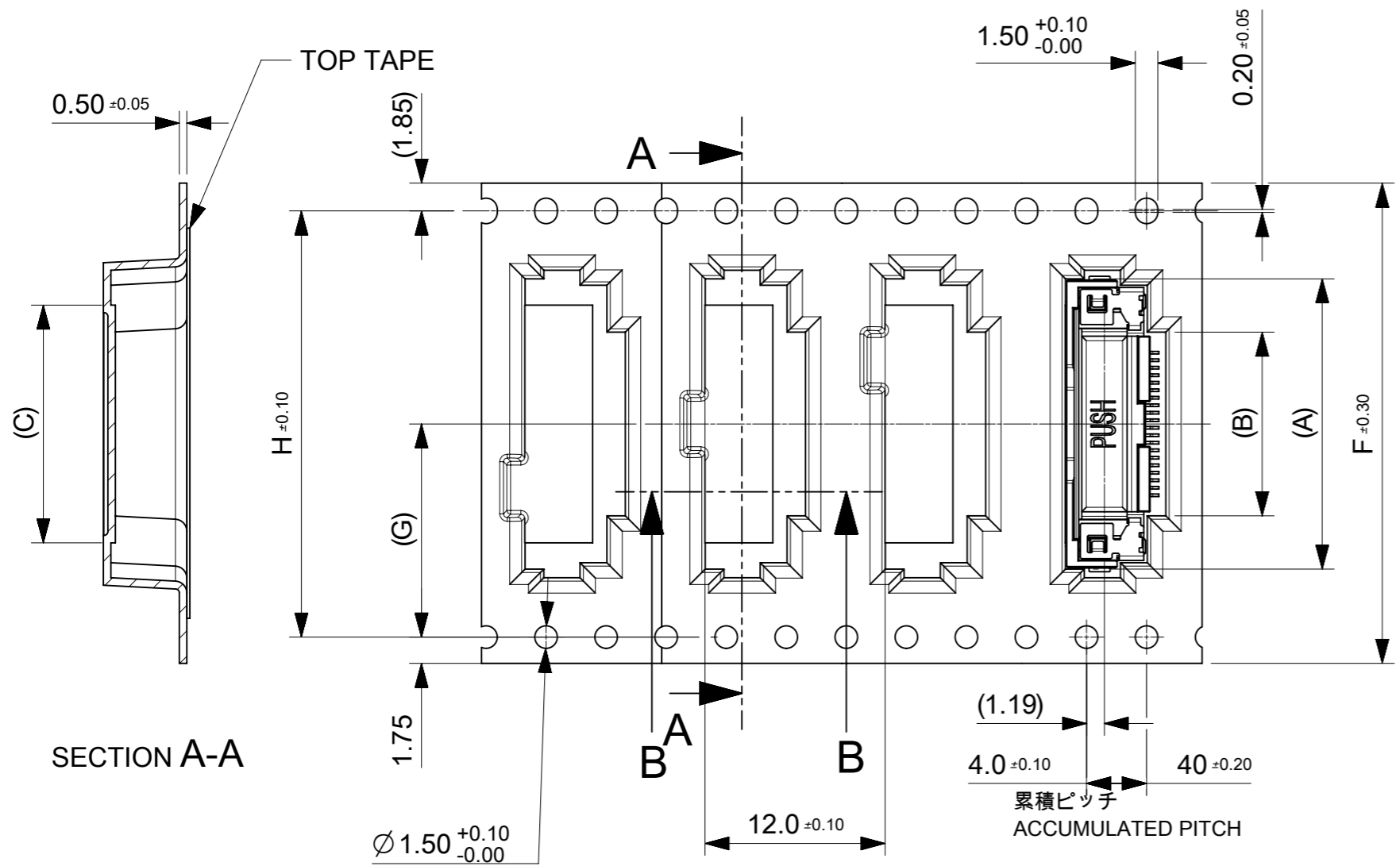
(1.19)
4.0 ± 0.10
40 ± 0.20
累積ピッチ
ACCUMULATED PITCH

11.5	24	29.4	25.4	10.84	7.04	14.34	2004850410	10
G	F	E	D	C	B	A	EMBOSSED PACKAGE オーダー番号 ORDER NO.	Ckt

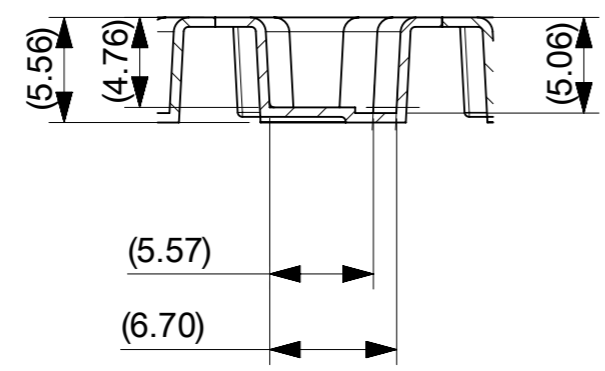
THIS DRAWING CONTAINS INFORMATION THAT IS PROPRIETARY TO MOLEX ELECTRONIC TECHNOLOGIES, LLC AND SHOULD NOT BE USED WITHOUT WRITTEN PERMISSION		CURRENT REV DESC:		molex			
DIMENSION UNITS mm	SCALE NTS						
GENERAL TOLERANCES (UNLESS SPECIFIED)		EC NO: 648126		EMB PKG ONE-TOUCH RA			
ANGULAR TOL	± 1.0 °	DRWN: TYAMANE	2020/10/15	PRODUCT CUSTOMER DRAWING			
4 PLACES	± 0.1	CHK'D: YMATSUMOTO	2020/10/30	DOCUMENT NUMBER			
3 PLACES	± 0.1	APPR: SHOSHIKAWA	2020/11/02	2004850400			
2 PLACES	± 0.1	INITIAL REVISION:		DOC TYPE	DOC PART		
1 PLACE	± 0.1	DRWN: TYAMANE	2018/09/28	PSD	000		
0 PLACES	± 0.1	APPR: SHOSHIKAWA	2020/06/08	REVISION			
DRAFT WHERE APPLICABLE MUST REMAIN WITHIN DIMENSIONS		THIRD ANGLE PROJECTION	DRAWING	SERIES	MATERIAL NUMBER	CUSTOMER	SHEET NUMBER
			A3-SIZE	200485	SEE TABLE	GENERAL	2 OF 3

CONNECTOR NO. 20048514**

引き出し方向
PULL OUT
DIRECTION



68.4	34.2	72	78.1	73.5	45.84	42.04	49.34	2004850480	80
					40.84	37.04	44.34	2004850470	70
52.4	26.2	56	61.4	75.4	35.84	32.04	39.34	2004850460	60
					31.34	27.54	34.84	2004850451	51
					30.84	27.04	34.34	2004850450	50
40.4	20.2	44	49.4	45.4	25.84	22.04	29.34	2004850440	40
					23.34	19.54	26.84	2004850435	35
					20.84	17.04	24.34	2004850430	30
28.4	14.2	32	37.4	33.4	15.84	12.04	19.34	2004850420	20
H	G	F	E	D	C	B	A	EMBOSSED PACKAGE	Ckt
								オーダー番号 ORDER NO.	

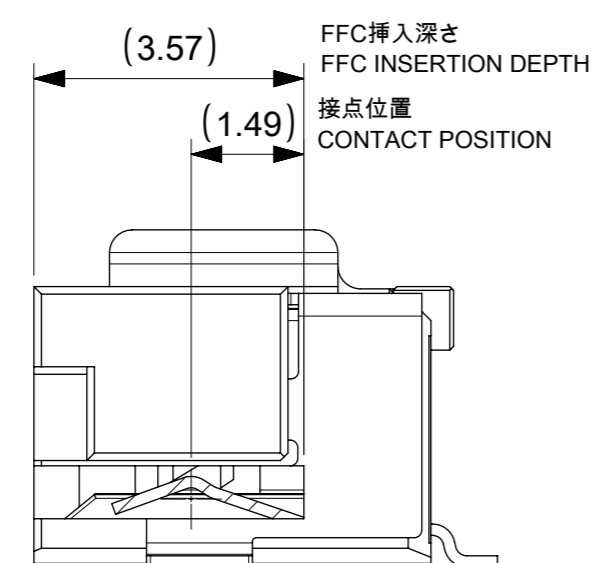
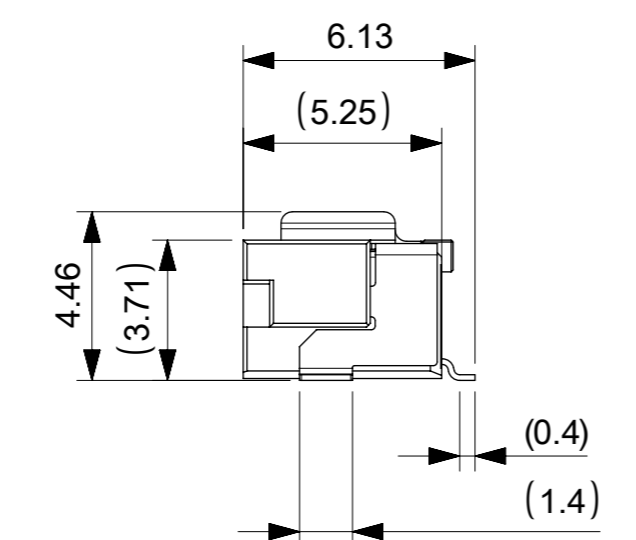
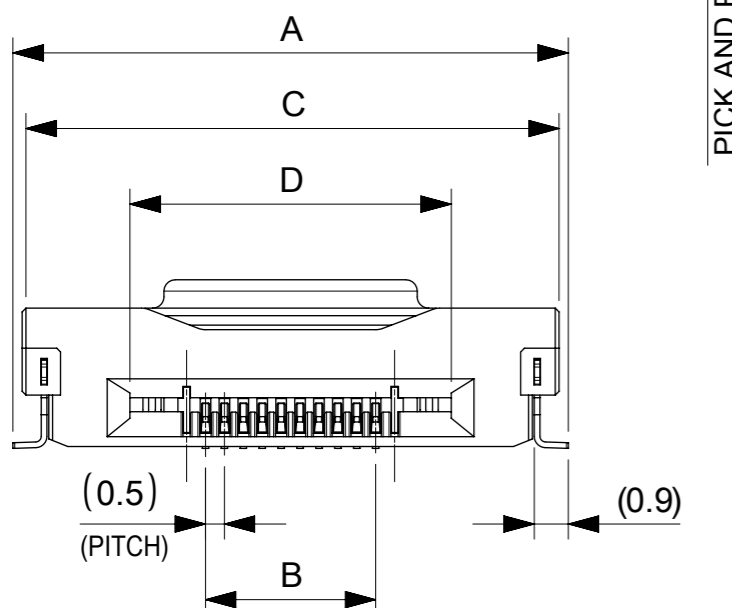
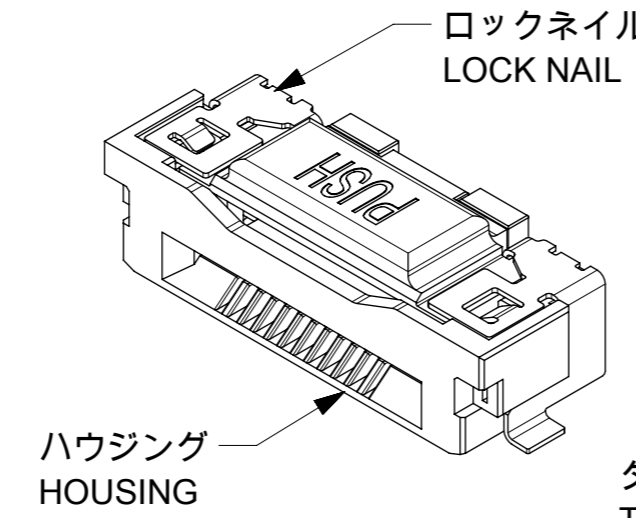
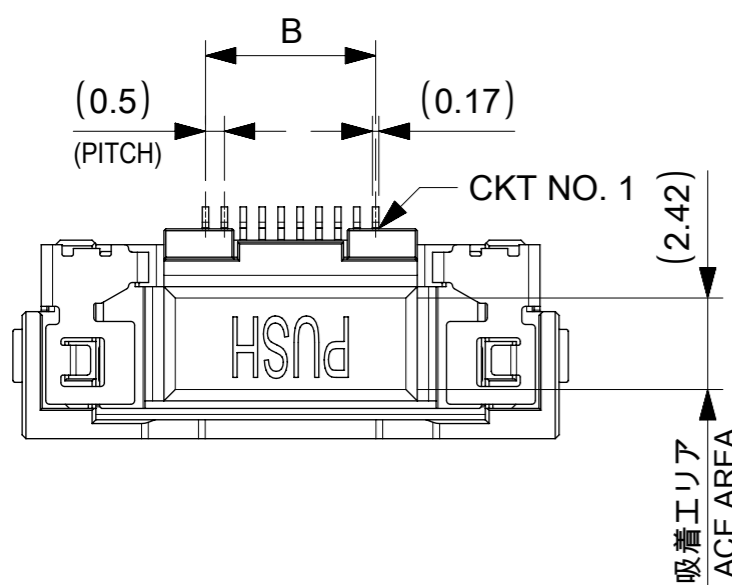


SECTION B-B

CONNECTOR NO. 20048514**

THIS DRAWING CONTAINS INFORMATION THAT IS PROPRIETARY TO MOLEX ELECTRONIC TECHNOLOGIES, LLC AND SHOULD NOT BE USED WITHOUT WRITTEN PERMISSION

DIMENSION UNITS	SCALE	CURRENT REV DESC:		molex	
mm	NTS				
GENERAL TOLERANCES (UNLESS SPECIFIED)				EMB PKG ONE-TOUCH RA	
ANGULAR TOL ± 1.0°				PRODUCT CUSTOMER DRAWING	
4 PLACES	± 0.1	EC NO: 648126	2020/10/15	DOCUMENT NUMBER	DOC TYPE DOC PART REVISION
3 PLACES	± 0.1	DRWN: TYAMANE	2020/10/30	2004850400	PSD 000 B
2 PLACES	± 0.1	CHK'D: YMATSUMOTO	2020/11/02		
1 PLACE	± 0.1	APPR: SHOSHIKAWA			
0 PLACES	± 0.1	INITIAL REVISION:			
DRAFT WHERE APPLICABLE MUST REMAIN WITHIN DIMENSIONS		DRWN: TYAMANE	2018/09/28		
THIRD ANGLE PROJECTION		APPR: SHOSHIKAWA	2020/06/08		
DRAWING		SERIES	MATERIAL NUMBER	CUSTOMER	SHEET NUMBER
A3-SIZE		200485	SEE TABLE	GENERAL	3 OF 3

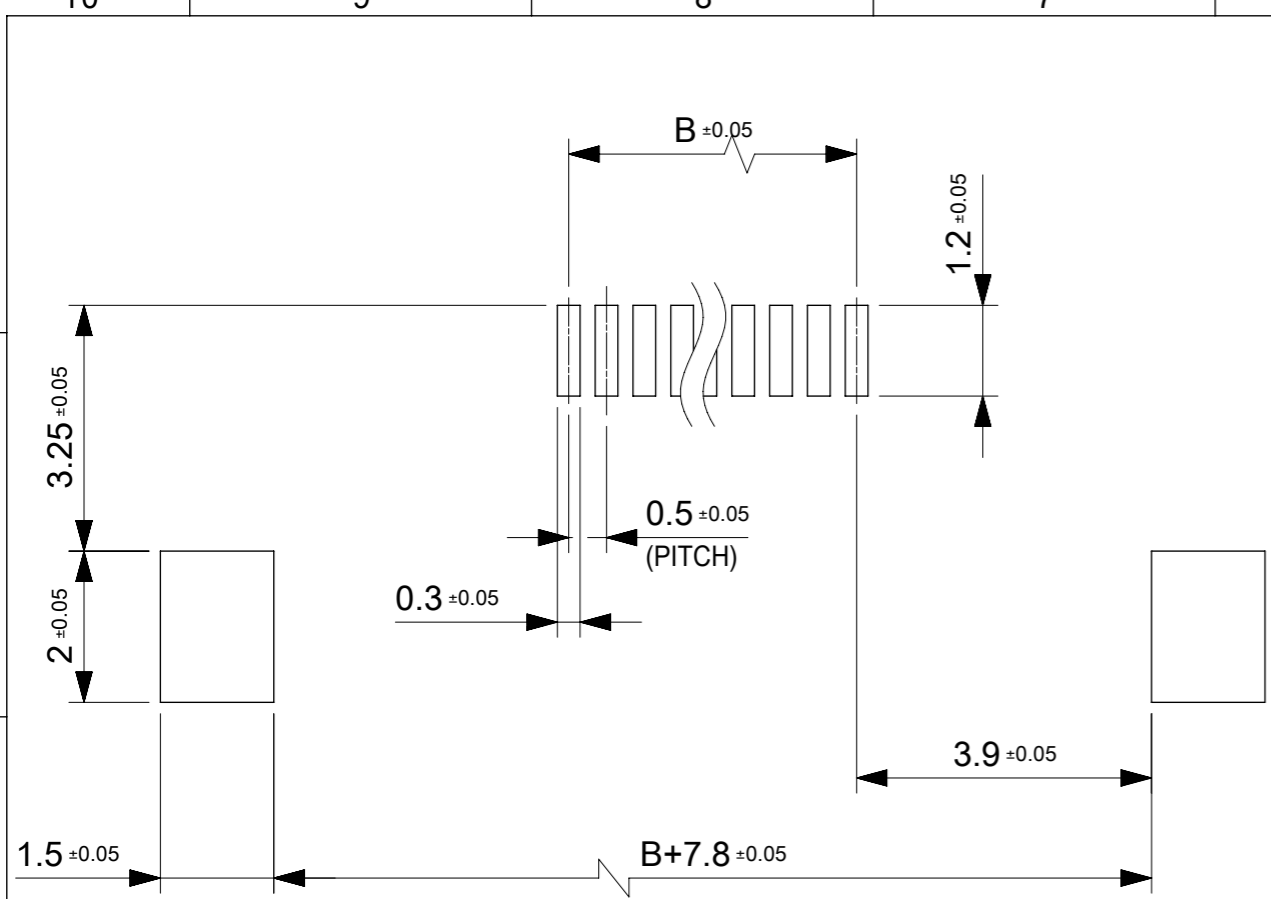


- NOTES:
- 1.使用材料 MATERIAL
 ハウジング : 液晶ポリマー, ガラス充填, UL94V-0(黒)
 HOUSING : LIQUID CRYSTAL POLYMER, GLASS FILLED, UL94V-0(BLACK)
 ボタン : 液晶ポリマー, ガラス充填, UL94V-0(ナチュラル)
 BUTTON : LIQUID CRYSTAL POLYMER, GLASS FILLED, UL94V-0(NATURAL)
 ターミナル : 銅合金 (t=0.15)
 TERMINAL : COPPER ALLOY
 ロックネイル : 銅合金 (t=0.15)
 LOCK NAIL : COPPER ALLOY
 - 2.めっき仕様 PLATING
 ターミナル TERMINAL
 接点部 : 金めっき 0.1μm以上
 CONTACT AREA : GOLD 0.1 MICROMETER MINIMUM
 半田付け部 : 金めっき
 SOLDER TAIL AREA : GOLD
 下地めっき : ニッケル 1.0μm以上
 UNDERPLATE : NICKEL 1.0 MICROMETER MINIMUM
 ロックネイル LOCK NAIL
 錫めっき (1.0μm以上)
 TIN PLATING (1.0 MICROMETER MIN.)
 - 3.平坦度は0.1ミリ以下とする。
 COPLANALITY TO BE 0.1 MAXIMUM.

1.302	43.5	49.2	39.5	49.69	2004850480	80
1.195	38.5	44.2	34.5	44.69	2004850470	70
1.054	33.5	39.2	29.5	39.69	2004850460	60
0.958	29	34.7	25	35.19	2004850451	51
0.942	28.5	34.2	24.5	34.69	2004850450	50
0.796	23.5	29.2	19.5	29.69	2004850440	40
0.702	21	26.7	17	27.19	2004850435	35
0.650	18.5	24.2	14.5	24.69	2004850430	30
0.505	13.5	19.2	9.5	19.69	2004850420	20
0.359	8.5	14.2	4.5	14.69	2004850410	10
NET WEIGHT (g)	D	C	B	A	EMBOSSED PACKAGE	CIRCUIT

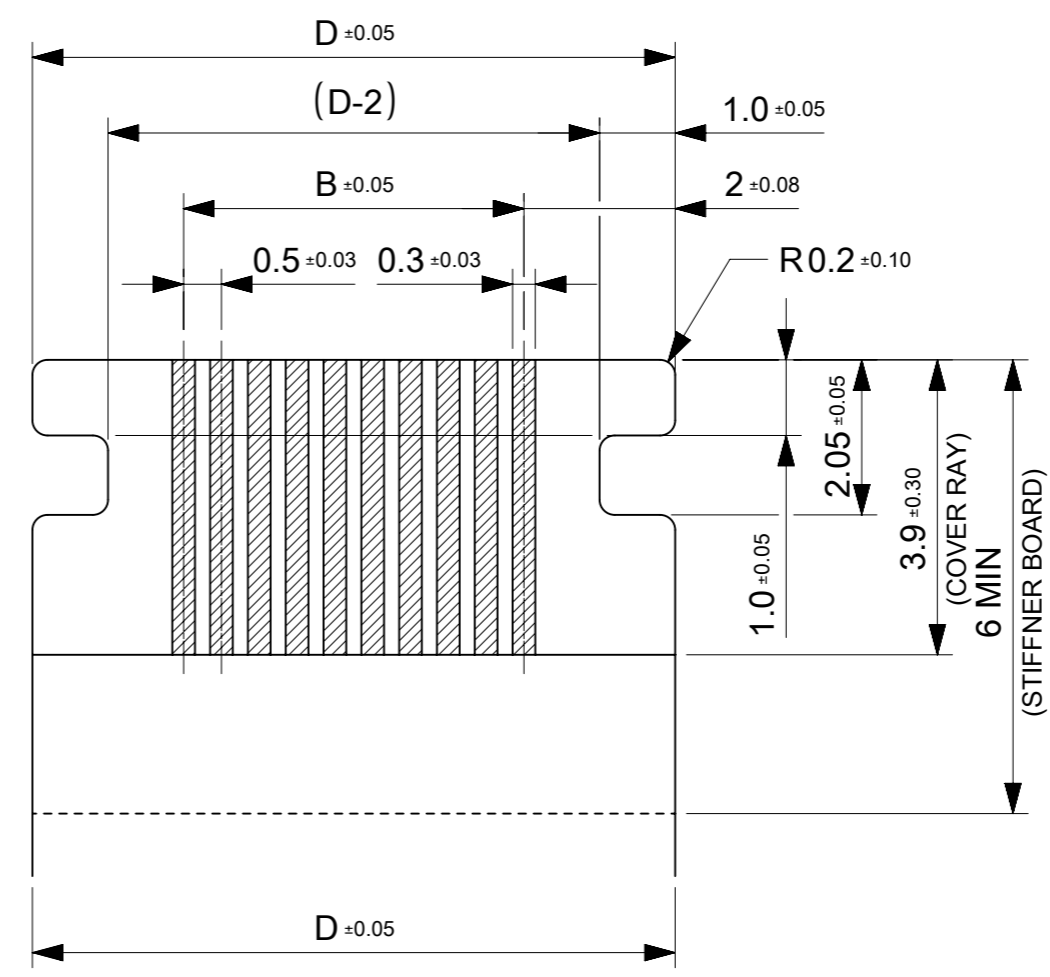
CONNECTOR SERIES NO. 20048514**

THIS DRAWING CONTAINS INFORMATION THAT IS PROPRIETARY TO MOLEX ELECTRONIC TECHNOLOGIES, LLC AND SHOULD NOT BE USED WITHOUT WRITTEN PERMISSION		CURRENT REV DESC:		molex	
DIMENSION UNITS	SCALE				
mm	5:1			0.5FFC CONN. RA ONE TOUCH ASS'Y	
GENERAL TOLERANCES (UNLESS SPECIFIED)				PRODUCT CUSTOMER DRAWING	
ANGULAR TOL	± 1.0°			DOCUMENT NUMBER	
4 PLACES	± 0.1	EC NO: 751302		2004851400	
3 PLACES	± 0.1	DRWN: SISUZUKI		DOC TYPE	
2 PLACES	± 0.1	CHK'D: HSHIMUYAMA		PSD	
1 PLACE	± 0.1	APPR: YNAITO		DOC PART	
0 PLACES	± 0.1	INITIAL REVISION:		REVISION	
DRAFT WHERE APPLICABLE MUST REMAIN WITHIN DIMENSIONS		THIRD ANGLE PROJECTION		SHEET NUMBER	
		DRAWING		1 OF 2	
		SERIES			
		MATERIAL NUMBER			
		CUSTOMER			
		A3-SIZE			
		200485			
		SEE TABLE			
		GENERAL			



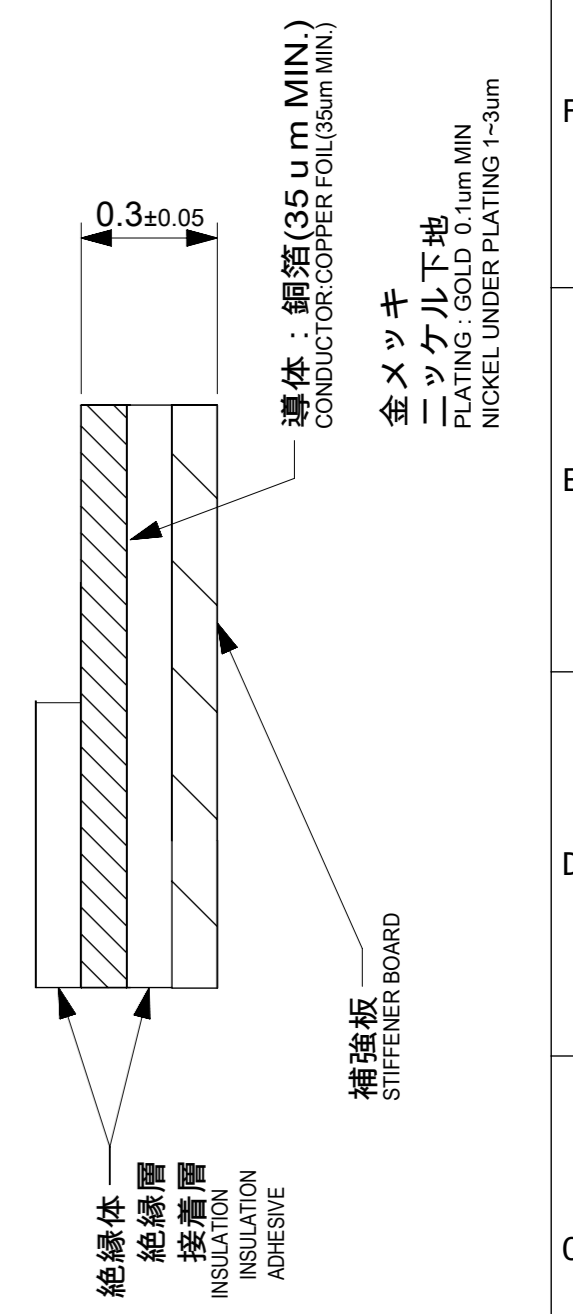
推奨PWB寸法
RECOMMENDED PWB DIMENSION

推奨メタルマスク厚、開口率 : $t=0.12\text{mm}$, 80%
 RECOMMENDED METAL MASK THICKNESS, APERTURE RATIO : $t=0.12\text{mm}$, 80%
 ロックネイル部は開口率100%
 APERTURE RATIO FOR LOCK NAIL: 100%



推奨FFC寸法
RECOMMENDED FFC DIMENSION

抜き方向は導体側から補強版側を推奨します
 RECOMMENDED PUNCHING DIRECTION:
 FROM CONDUCTOR SIDE TO STIFFENER SIDE



THIS DRAWING CONTAINS INFORMATION THAT IS PROPRIETARY TO MOLEX ELECTRONIC TECHNOLOGIES, LLC AND SHOULD NOT BE USED WITHOUT WRITTEN PERMISSION									
DIMENSION UNITS		SCALE		CURRENT REV DESC:				molex	
mm		10:1							
GENERAL TOLERANCES (UNLESS SPECIFIED)				EC NO: 751302				0.5FFC CONN. RA ONE TOUCH ASS'Y	
ANGULAR TOL $\pm 1.0^\circ$				DRWN: SISUZUKI 2022/10/21				PRODUCT CUSTOMER DRAWING	
4 PLACES ± 0.1				CHK'D: HSHIMUYAMA 2023/06/02				DOCUMENT NUMBER	
3 PLACES ± 0.1				APPR: YNAITO 2023/06/02				2004851400	
2 PLACES ± 0.1				INITIAL REVISION:				DOC TYPE	
1 PLACE ± 0.1				DRWN: TYAMANE 2018/05/10				PSD	
0 PLACES ± 0.1				APPR: SHOSHIKAWA 2020/06/08				DOC PART	
DRAFT WHERE APPLICABLE MUST REMAIN WITHIN DIMENSIONS				THIRD ANGLE PROJECTION		DRAWING		REVISION	
				A3-SIZE		SERIES		D	
				200485		MATERIAL NUMBER		SHEET NUMBER	
				SEE TABLE		CUSTOMER		2 OF 2	
				GENERAL					