

1

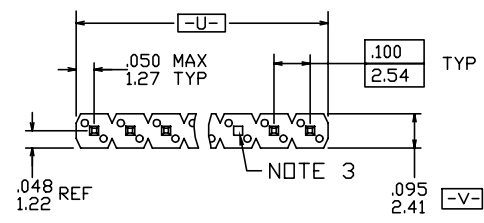
2

3

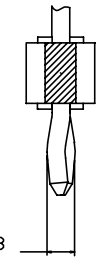
4

PRODUCT NUMBER
10117458-2XXXXHLF

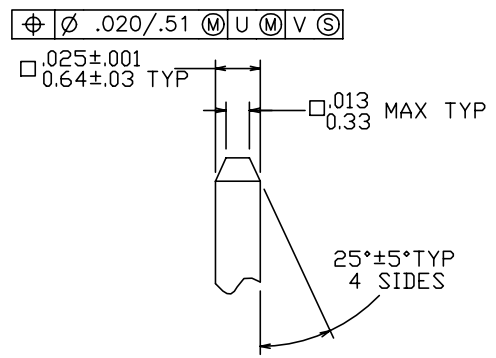
- LEAD FREE OPTION
- HIGH TEMPERATURE PLASTIC
- POLARIZED POSITIONS
- NO OF POSITIONS
- PIN PLATING
SEE SHEET 2
- BASE PART NO.



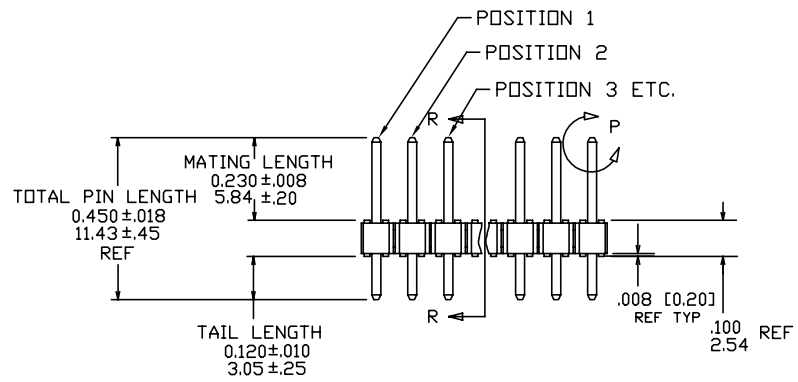
SINGLE ROW TOP VIEW



SECTION R-R
NOTE 4



DETAIL P
TYP BOTH ENDS



SINGLE ROW
SIDE VIEW



Copyright FCI.

www.fciconnect.com				surface 6.4 ISO 1302	tolerance std ISO 406 ISO 1101	projection ISO 1101	INCH/MM
TOLERANCES UNLESS OTHERWISE SPECIFIED				ANGULAR	LINEAR	size A4	Scale 1.000
Dr	J.ZHOU	2011-03-24		0.X	±0.3	ECN	N11-0084
Eng	J.ZHOU	2011-03-24		0.XX	±0.15	Spec ref	
Chr	R.BIAN	2011-03-24		0.XXX	±0.05		
Appr	J.XIA	2011-03-24		Product family BERGSTIK			
FCI				title BERGSTIK® II HEADER SR .100/2.54CC POLARIZED SELF RET.		dwg no 10117458	Rev. A
				catalog no		CUSTOMER	sheet 1 of 2

rev	ecn no	dr	date
A	N11-0084	J.Z	2011-03-24

REV F - 2006-04-17

1

2

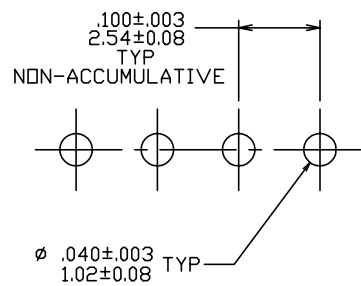
PDM: Rev:A

STATUS: Released

4 Printed: Mar 26, 2011

PRODUCT NUMBER	NO OF POSITIONS	DIMENSION U		POLARIZED	LEAD FREE OPTION
		ENGLISH	METRIC	POSITIONS	
10117458-20402H	4	0.400	10.16	2	NOTE 5, 6

PIN PLATING CODES	
15u"/0.38u MIN GXT/GOLD ON CONTACT OVER 50u"/1.27u MIN Ni	
19.74~296u"/0.5~7.5u MIN SN ON TAIL OVER 50u"/1.27u MIN Ni	
OR 15u"/0.38u MIN (GOLD OR GXT) OVER 50u" /1.27u MIN Ni	



RECOMMENDED HOLE PATTERN

NOTE:

- ①. PACKAGED IN POLYBAGS ONLY.
- 2. 5LB/2.3KG MAX INSERTION FORCE AND .25LB/.1KG MIN RETENTION FORCE PER RETENTIVE PIN USING .062/1.57 THICK CIRCUIT BOARDS AND RECOMMENDED HOLE PATTERN.
- 3. PINS OMITTED FROM SPECIFIED LOCATIONS FOR POLARIZATION. SEE SPECIFIC PART NUMBERS FOR LOCATIONS.
- 4. SECTION R-R DIMENSIONS APPLY TO SPECIFIED ENDS OF RETENTION PIN POSITIONS ONLY. SEE PRODUCT PART NUMBER FOR SINGLE OR DUAL SIDE RETENTION. LOCATED AT MANUFACTURES OPTION.

- ⑤. ADD "HLF" SUFFIX AT THE END OF PART NUMBER FOR LEAD FREE OPTION.
 - ⑥. THESE PRODUCTS MEET EUROPEAN UNION DIRECTIVES AND OTHER COUNTRY REGULATION AS DESCRIBED IN GS-22-008.
 - 7. PART NUMBERS WITH "H" SUFFIX WILL WITHSTAND EXPOSURE TO 260°C PEAK TEMPERATURE FOR 20 SECONDS IN WAVE SOLDER, INFRA-RED OR VAPOR PHASE SOLDER PROCESS.
- BODY MATERIAL:
 BERGSTIK: MANUFACTURER'S OPTION OF NYLON, PCT GLASS FIBER REINFORCED, FLAME RETARDENT PER UL-94V-0. COLOR : BLACK OR MINERAL FILLED LCP, FLAME RETARDENT PER UL-94V-0. COLOR BLACK.
- PART NUMBERS WITHOUT "H" SUFFIX WILL WITHSTAND EXPOSURE TO 260°C PEAK TEMPERATURE FOR WAVE SOLDER PROCESS.
- ⑧. PLATING OPTIONS: MAY BE EITHER GOLD OR GXT PLATED AT MANUFACTURER'S OPTION.
 - ⑨. "THIS PRODUCT HAS 100% TIN PLATING IN THE INTERFACE AND HAS NOT BEEN TESTED FOR WHISKER GROWTH IN ALL INTERCONNECT ENVIRONMENTS."
 - 10. THESE PRODUCTS MEET THE PRODUCT SPECIFICATION BUS-12-050.



Copyright FCI.

www.fciconnect.com			surface ISO 1302 ✓	tolerance std ISO 406 ISO 1101	projection	INCH/MM		
			TOLERANCES UNLESS OTHERWISE SPECIFIED					
Dr	J.ZHOU	2011-03-24	ANGULAR	LINEAR	0.X	±0.3	size A4	Scale 1.000
Eng	J.ZHOU	2011-03-24			0.XX	±0.15		
Chr	R.BIAN	2011-03-24	0°	±2°	0.XXX	±0.05	ECN	N11-0084
Appr	J.XIA	2011-03-24	Product family BERGSTIK		Spec ref			
			title BERGSTIK® II HEADER SR		dwg no 10117458		Rev. A	
			catalog no		CUSTOMER		sheet 2 of 2	