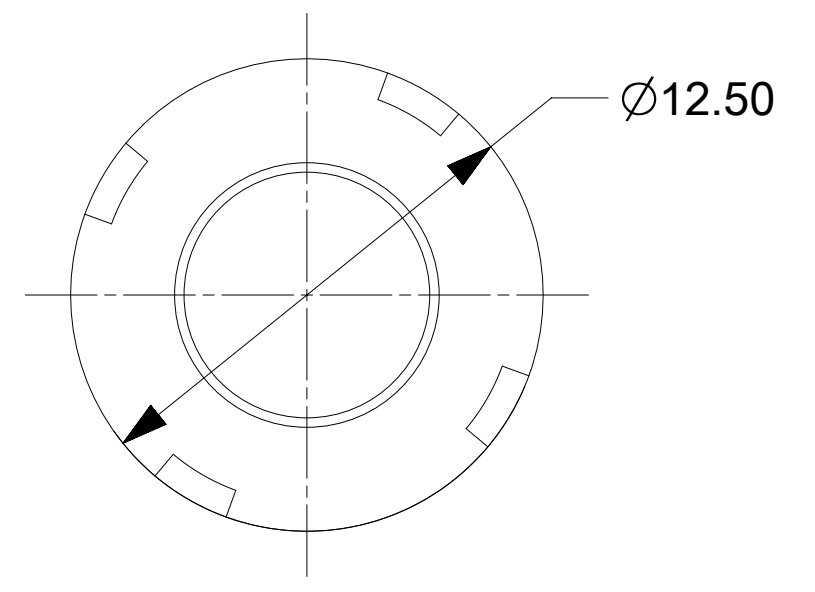


RECOMMENDED PCB AND BUSBAR LAYOUT



PART NUMBER	DIMENSION "L"
203263-3280	20.65
203263-3380	30.65
203263-3480	29.15
203263-3580	25.50
203263-3780	17.65
203263-3880	27.05
203263-5180	16.00
203263-5280	20.00
203263-5380	26.00
203263-5480	36.00
203263-5580	48.00
203263-5680	24.50

NOTES:

- MATERIALS:
BASE METAL: HIGH CONDUCTIVE COPPER ALLOY
PLATING ON BODY: 3.18 MICRON MIN SILVER OVER 1.27 MICRON MIN NICKEL
- PRODUCT SPECIFICATION: 2043130001-PS
- APPLICATION SPECIFICATION: 2043130001-AS
- PACKAGING SPECIFICATION: 2032630006-PK
- SILVER COMPONENTS WILL BE SUPPLIED TARNISH FREE BUT MAY TARNISH OVER TIME.
- MINIMUM RECOMMENDED PCB THICKNESS IS 1.58MM

THIS DRAWING CONTAINS INFORMATION THAT IS PROPRIETARY TO MOLEX ELECTRONIC TECHNOLOGIES, LLC AND SHOULD NOT BE USED WITHOUT WRITTEN PERMISSION			
DIMENSION UNITS mm	SCALE 5:1	CURRENT REV DESC: ADDED NEW PART NO: 203263-5680	
GENERAL TOLERANCES (UNLESS SPECIFIED)		<p>molex</p> <p>SENTRALITY 8.00MM MALE TERMINAL SURFACE MOUNT</p> <p>PRODUCT CUSTOMER DRAWING</p>	
ANGULAR TOL	± 0.5°		
4 PLACES	±		
3 PLACES	±		
2 PLACES	± 0.15		
1 PLACE	± 0.25	EC NO: 726284	
0 PLACES	±	DRWN: GJEEVANSURES	2022/08/01
DRAFT WHERE APPLICABLE MUST REMAIN WITHIN DIMENSIONS		CHK'D: SUVARS	2022/10/27
THIRD ANGLE PROJECTION		APPR: GSHARMA	2022/10/28
DRAWING		INITIAL REVISION:	
D-SIZE		DRWN: RLOW	2019/07/24
SERIES		APPR: BPISZCZOR	2019/07/25
MATERIAL NUMBER		DOCUMENT NUMBER	
203263		2032633080-SD	
SEE TABLE		DOC TYPE	DOC PART
GENERAL MARKET		PSD	000
SHEET NUMBER		REVISION	
1 OF 1		A3	