

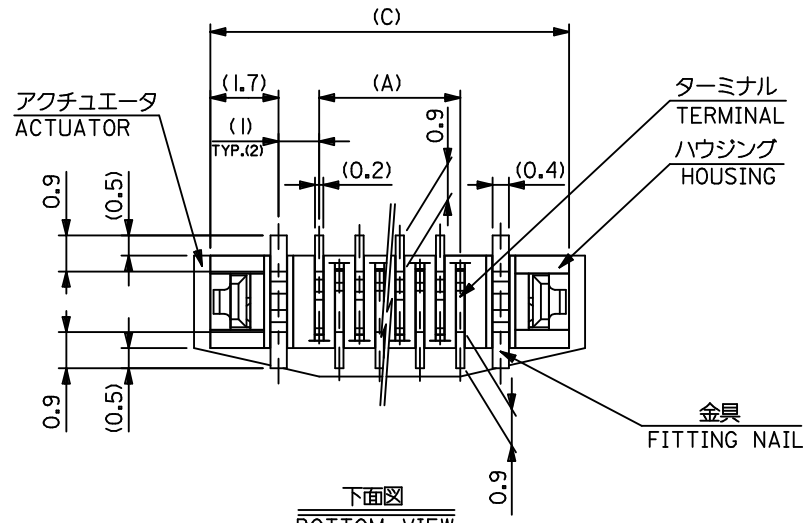
注記 NOTES

- 使用材料 : MATERIAL
 ハウジング : 46NYLON UL94V-0
 アクチュエータ : PPS UL94V-0
 ターミナル : リン青銅、銅下地半田メッキ (t=0.2)
 PHOS-BRO.TIN-LEAD(9:1) 3~5 MICRON METER OVER COPPER 1~2.5 MICRON METER PLATED
 金具 : リン青銅、銅下地半田メッキ (t=0.4)
 FITTING NAIL : PHOS-BRO.TIN-LEAD(9:1) 3~5 MICRON METER OVER COPPER 1~2.5 MICRON METER PLATED
- エンボステープ梱包時は、アクチュエータがロックした状態とする。
 IN THE PACKAGE, ACTUATOR OF PART NO.52559-***17 SHOULD BE LOCKED.
 △ソルダータール半田付け面のズレ量、及び金具半田付け面のズレ量は、基準面 G に対し上方向 0.05 MAX.、下方向 0.15 MAX.とする。
 MISALIGNMENT OF SOLDER TAILS AND FITTING NAILS FROM UPPER DIRECTION: 0.05 MAX., LOWER DIRECTION: 0.15 MAX.
 △偶数極に適用。
 APPLY FOR EVEN CIRCUIT.
 △パターンはくり止め用金具。
 FITTING NAIL FOR PREVENTION OF PEELING OF P.C.B. PATTERN.
 △R0.3は、FPCの導体部にかからないこと。
 R0.3 MUST NOT BE OVERLAPPED TO PATTERN OF FPC.

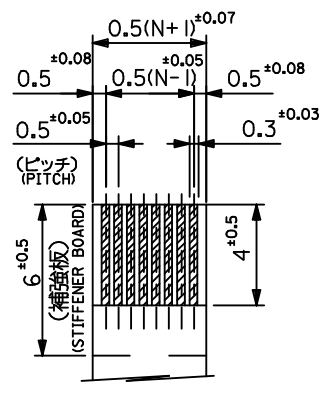
| | | | | | |
|------|------|-------|------|------------|----|
| 25.7 | 24.9 | 20.65 | 19.5 | 52559-4092 | 40 |
| 20.7 | 19.9 | 15.65 | 14.5 | 52559-3092 | 30 |
| 8.7 | 7.9 | 3.65 | 2.5 | 52559-0692 | 6 |

| | | | | | | | | | |
|----------------------|--|--|--|--------|---|-----------|-----|-----------------|----|
| 52559-***17 | | | | D | C | B | (A) | EMBSSED PACKAGE | 極数 |
| CONNECTER SERIES NO. | | | | オーダー番号 | | ORDER NO. | | 極数 | |

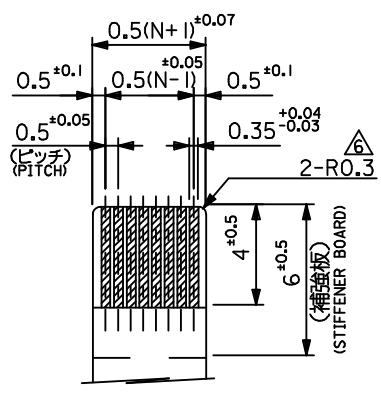
| | | | | | | | | | |
|---|---------------------------------------|-----------|---|-------------------|------------------------------|-----------------------------------|------------------------|--|--|
| REVISED EC NO.: J2015-1354 DRWN: JASUNUMA 2015/04/10 CH'KD: TAKAHASHI 2015/04/13 APPR: YNOGAWA 2015/04/17 | GENERAL TOLERANCES (UNLESS SPECIFIED) | | DIMENSION STYLE MM ONLY | | SCALE --- | DESIGN UNITS METRIC | THIRD ANGLE PROJECTION | | |
| | 0.25 UNDER | UNDER | ±0.03 | DRAWN BY KTOJO | DATE 2003/04/17 | TITLE 0.5 FPC CONN ZIF FOR SMT | | | |
| | 0.25 OVER | 0.5 UNDER | ±0.05 | CHECKED BY | DATE | S/T SHEET 1 OF 2 | | | |
| | 0.5 OVER | 1.0 UNDER | ±0.1 | MSASAO | 2003/04/17 | | | | |
| | 1.0 OVER | 10 UNDER | ±0.2 | APPROVED BY | DATE | | | | |
| 10 OVER | 30 UNDER | ±0.25 | MATERIAL NO. SEE CHART | | DOCUMENT NO. SD-52559-044 | | SHEET NO. 1 OF 2 | | |
| 30 OVER | | ±0.3 | THIS DRAWING CONTAINS INFORMATION THAT IS PROPRIETARY TO MOLEX INCORPORATED AND SHOULD NOT BE USED WITHOUT WRITTEN PERMISSION | | | | | | |
| ANGULAR ±3 ° | | | | | | | | | |
| DRAFT WHERE APPLICABLE MUST REMAIN WITHIN DIMENSIONS | | | | | | | | | |



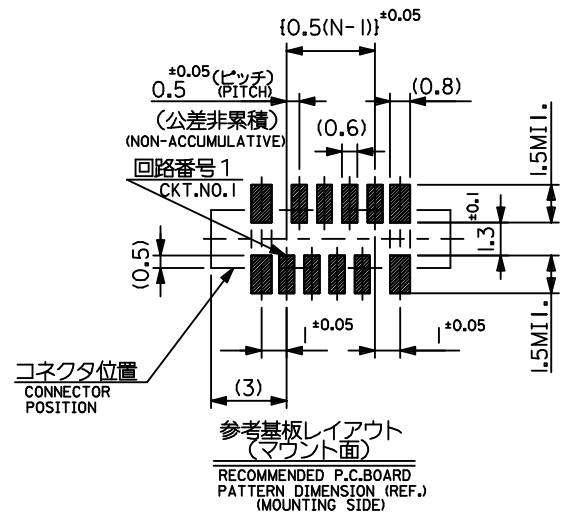
下面図
BOTTOM VIEW



適合FFC推奨寸法
APPLICABLE FFC
RECOMMENDED DIMENSION.
(仕上がり厚さ: 0.3^{±0.05})
(THICKNESS: 0.3^{±0.05})

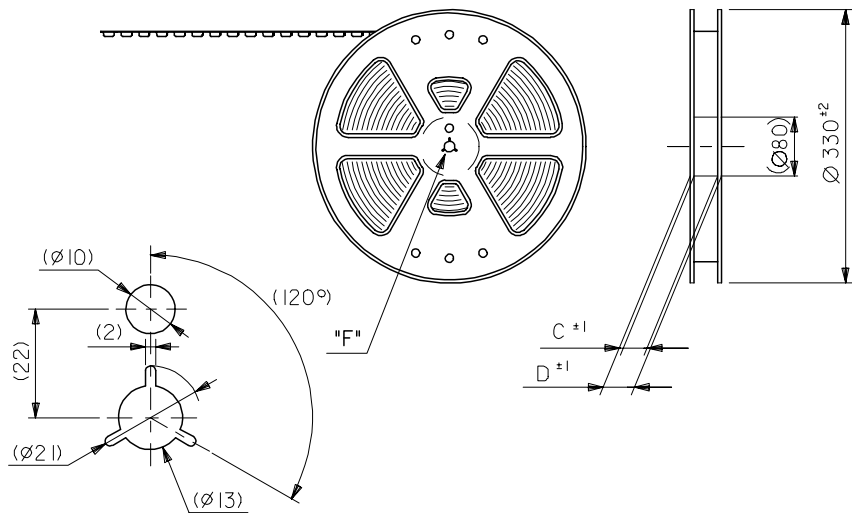


適合FPC推奨寸法
APPLICABLE FPC
RECOMMENDED DIMENSION.
(仕上がり厚さ: 0.3^{±0.05})
(THICKNESS: 0.3^{±0.05})



| | | | | | | | | | |
|---|---------------------------------------|---------------------------|----------------------------|------------------------|---|------------------------|---|---------------------|--|
| REVISED EC NO.: J2015-1354 DRWN: JASUNUMA 2015/04/10 CHKD: TAKAHASHI 2015/04/13 APPR: YNOGAWA 2015/04/17 M | GENERAL TOLERANCES (UNLESS SPECIFIED) | | DIMENSION STYLE MM ONLY | | SCALE --- | DESIGN UNITS METRIC | THIRD ANGLE PROJECTION | | |
| | 0.25 UNDER UNDER ±0.03 | 0.25 OVER 0.5 UNDER ±0.05 | 0.5 OVER 1.0 UNDER ±0.1 | 1.0 OVER 10 UNDER ±0.2 | 10 OVER 30 UNDER ±0.25 | 30 OVER ±0.3 | TITLE 0.5 FPC CONN ZIF FOR SMT S/T SHEET 2 OF 2 | | |
| | DRAWN BY KTOJO | | DATE 2003/04/17 | | CHECKED BY MSASAO | | | DATE 2003/04/17 | |
| | APPROVED BY SEE SHEET 1 | | DATE DATE | | MATERIAL NO. SD-52559-044 | | | SHEET NO. 2 OF 2 | |
| DRAFT WHERE APPLICABLE MUST REMAIN WITHIN DIMENSIONS | | | | | THIS DRAWING CONTAINS INFORMATION THAT IS PROPRIETARY TO MOLEX INCORPORATED AND SHOULD NOT BE USED WITHOUT WRITTEN PERMISSION | | | | |

引き出し方向
PULL OUT
DIRECTION



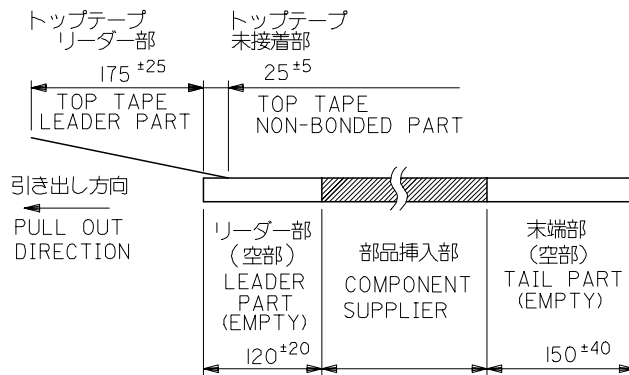
DETAIL "F"

5. 材料 キャリアテープ: ポリプロピレン (PP)
 トップテープ: PET, PE, PEF
 リール: ポリスチレン (PS) <リサイクル材を含む>

MATERIAL CARRIER TAPE: POLYPROPYLENE
 TOP TAPE: PET, PE, PEF
 REEL: POLYSTYRENE (PS)
 <RECYCLE MATERIAL CONTAINED>

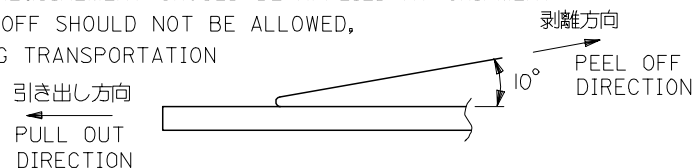
注記 NOTES

- 製品番号 52559-***17 の梱包状態はアクチュエータがロックした状態とする。
 詳細寸法については図面 SD-52559-***17 を参照下さい。
 IN THE PACKAGE, ACTUATOR OF PART NO. 52559-***17 SHOULD BE LOCKED
 RE DETAILED DIMENSIONS, SEE SD-52559-***17
- 梱包数量: 1000個/リール
 NUMBER OF CONNECTORS: 1000PCS/REEL
- リードテープ長さ LEAD TAPE LENGTH



- トップテープの剥離強度: (剥離方向は下図参照)
 0.1N~0.7N (10.2gf~71.4gf) 尚、本規格値は、出荷時に適用。
 (但し、輸送時に剥離が発生しない事。)

PEELING OFF FORCE OF TOP TAPE
 0.1N~0.7N (10.2gf~71.4gf) (PEELING DIRECTION AS SHOWN IN FOLLOWING FIG.)
 THIS REQUIREMENT SHOULD BE APPLIED AT SHIPMENT
 PEEL OFF SHOULD NOT BE ALLOWED,
 DURING TRANSPORTATION



| | | | | | | | |
|--|--|--|-----------------------------|---------------------------|--|-------------------------|---------------------------|
| REVISED EC NO: J2006-3700 DRAWN: NABEI 2006/06/16 CHKD: KTOYODA 2006/06/19 APPR: NUKITA 2006/06/22 | GENERAL TOLERANCES (UNLESS SPECIFIED) | | DIMENSION STYLE MM ONLY | | SCALE --- | 52559-***90 | MODEL NO. |
| | 10 UNDER | ± --- | DRAWN BY S. KAJINUMA | DATE '91/11/13 | TITLE | DESIGN UNIT'S METRIC | THIRD ANGLE PROJECTION |
| | 10 OVER 30 UNDER | ± --- | CHECKED BY S. KUNISHI | DATE '00/12/20 | 0.5 FPC CONN ASSY ZIF SMT ST EMBSTP PKG | | |
| | 30 OVER | ± --- | APPROVED BY M. FUKUSHIMA | DATE '00/12/20 | | MOLEX INCORPORATED | |
| G | ANGULAR ± --- ° | DRAFT WHERE APPLICABLE MUST REMAIN WITHIN DIMENSIONS | | MATERIAL NO. SEE CHART | DOCUMENT NO. SD-52559-051 | SHEET NO. 1 OF 4 | |

10 9 8 7 6 5 4 3 2 1

F

E

D

C

B

A

F

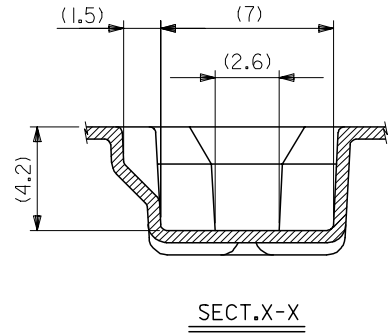
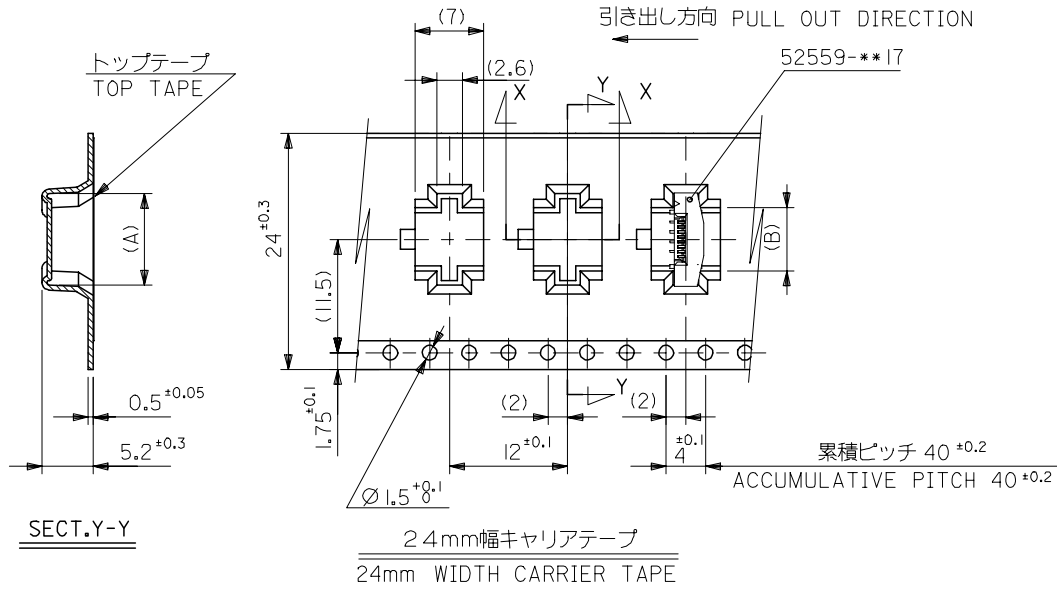
E

D

C

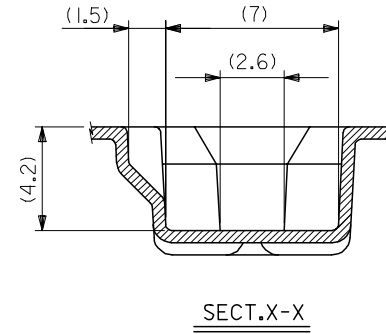
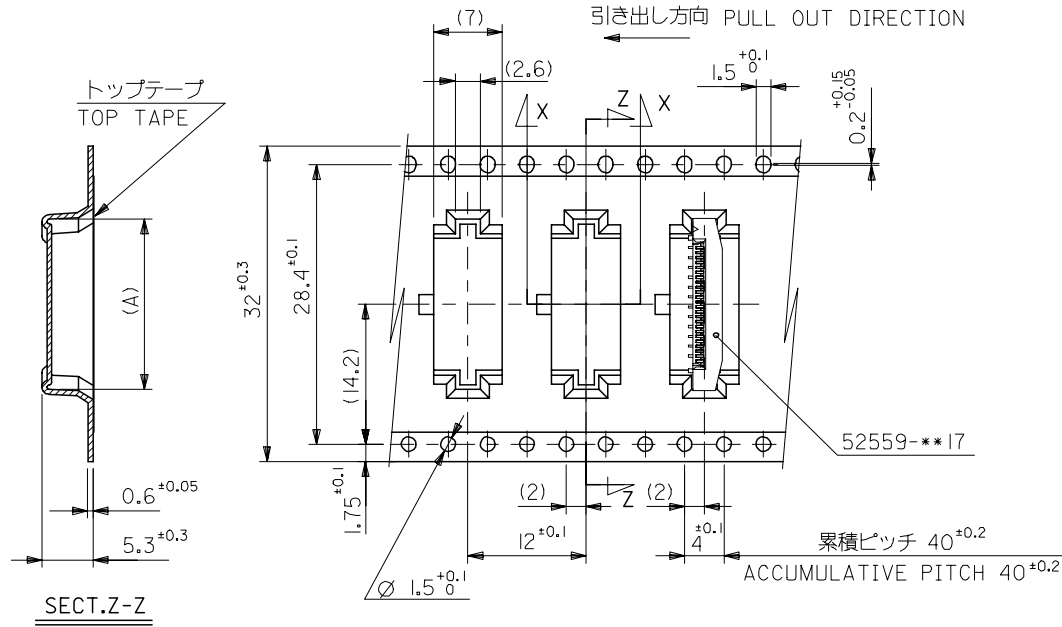
B

A



| | | | | | | |
|--------------------------------|------|------------|------|------|--------------|---------------|
| 24 | 29.4 | 25.4 | 13.4 | 16.3 | 52559-2290 | 22 |
| | | | 12.4 | 15.3 | 52559-2090 | 20 |
| | | | 11.9 | 14.8 | 52559-1990 | 19 |
| | | | 11.4 | 14.3 | 52559-1890 | 18 |
| | | | 10.4 | 13.3 | 52559-1690 | 16 |
| | | | 9.9 | 12.8 | 52559-1590 | 15 |
| | | | 9.4 | 12.3 | 52559-1490 | 14 |
| | | | 8.9 | 11.8 | 52559-1390 | 13 |
| | | | 8.4 | 11.3 | 52559-1290 | 12 |
| | | | 7.9 | 10.8 | 52559-1190 | 11 |
| 6.4 | 9.3 | 52559-0890 | 8 | | | |
| 5.4 | 8.3 | 52559-0690 | 6 | | | |
| キャリアテープ幅 CARRIER TAPE WIDTH | D | C | (B) | (A) | MATERIAL NO. | 極数 CIRCUIT |

| | | | | | | | |
|--|---------------------------------------|---|-----------------------------|-------------------|--|------------------------|------------------------|
| REVISED EC NO: J2006-3700 DRWN: NABEI 2006/06/16 CHKD: KTOYODA 2006/06/19 APPR: NUKITA 2006/06/22 G REV | GENERAL TOLERANCES (UNLESS SPECIFIED) | | DIMENSION STYLE MM ONLY | | SCALE --- | DESIGN UNITS METRIC | THIRD ANGLE PROJECTION |
| | 10 UNDER | ± --- | DRAWN BY S. KAJINUMA | DATE '91/11/13 | TITLE 0.5 FPC CONN ASSY ZIF SMT ST EMBSTP PKG | | |
| | 10 OVER 30 UNDER | ± --- | CHECKED BY S. KUNISHI | DATE '00/12/20 | MOLEX INCORPORATED | | |
| | 30 OVER | ± --- | APPROVED BY M. FUKUSHIMA | DATE '00/12/20 | DOCUMENT NO. SD-52559-051 | | |
| | ANGULAR | ± --- ° | MATERIAL NO. SEE CHART | | SHEET NO. 2 OF 4 | | |
| DRAFT WHERE APPLICABLE MUST REMAIN WITHIN DIMENSIONS | | THIS DRAWING CONTAINS INFORMATION THAT IS PROPRIETARY TO MOLEX INCORPORATED AND SHOULD NOT BE USED WITHOUT WRITTEN PERMISSION | | | | | |



32mm幅キャリアテープ
32mm WIDTH CARRIER TAPE

| | | | | | | |
|--------------------------------|------|------------|------|------|--------------|---------------|
| 32 | 37.4 | 33.4 | 18.9 | 21.8 | 52559-3390 | 33 |
| | | | 18.4 | 21.3 | 52559-3290 | 32 |
| | | | 17.4 | 20.3 | 52559-3090 | 30 |
| | | | 16.4 | 19.3 | 52559-2890 | 28 |
| | | | 15.4 | 18.3 | 52559-2690 | 26 |
| | | | 14.9 | 17.8 | 52559-2590 | 25 |
| 14.4 | 17.3 | 52559-2490 | 24 | | | |
| キャリアテープ幅 CARRIER TAPE WIDTH | D | C | (B) | (A) | MATERIAL NO. | 極数 CIRCUIT |

| | | |
|---|--|---------|
| REVISED EC NO: J2006-3700 DRWN: NABEI 2006/06/16 CHKD: KTOYODA 2006/06/19 APPR: NUKITA 2006/06/22 | GENERAL TOLERANCES (UNLESS SPECIFIED) | |
| | 10 UNDER | ± --- |
| | 10 OVER 30 UNDER | ± --- |
| | 30 OVER | ± --- |
| | ANGULAR | ± --- ° |
| G | DRAFT WHERE APPLICABLE MUST REMAIN WITHIN DIMENSIONS | |

| | | | | |
|--|-------------------|--|------------------------------|------------------------|
| DIMENSION STYLE MM ONLY | | SCALE --- | DESIGN UNITS METRIC | THIRD ANGLE PROJECTION |
| DRAWN BY S. KAJINUMA | DATE '91/11/13 | TITLE 0.5 FPC CONN ASSY ZIF SMT ST EMBSTP PKG | | |
| CHECKED BY S. KUNISHI | DATE '00/12/20 | MOLEX INCORPORATED | | |
| APPROVED BY M. FUKUSHIMA | DATE '00/12/20 | MATERIAL NO. | DOCUMENT NO. SD-52559-051 | SHEET NO. 3 OF 4 |
| SIZE A3 THIS DRAWING CONTAINS INFORMATION THAT IS PROPRIETARY TO MOLEX INCORPORATED AND SHOULD NOT BE USED WITHOUT WRITTEN PERMISSION | | | | |

10 9 8 7 6 5 4 3 2 1

F

E

D

C

B

A

F

E

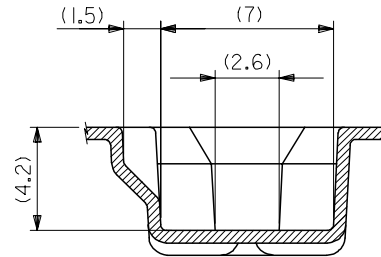
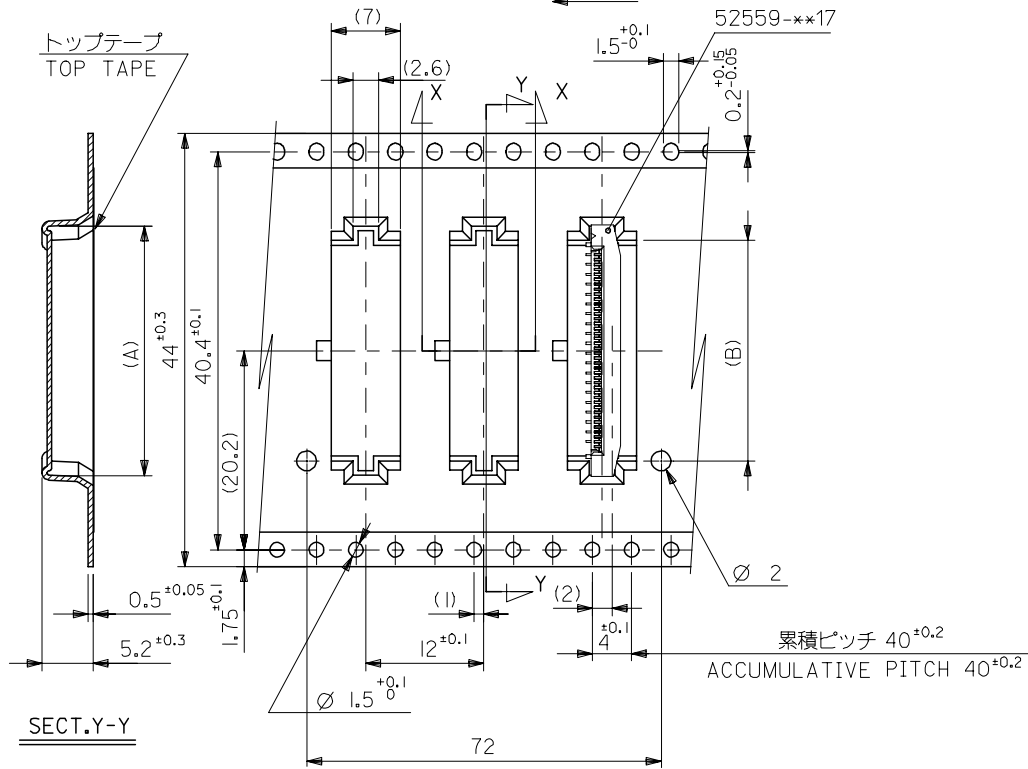
D

C

B

A

引き出し方向 PULL OUT DIRECTION



SECT.X-X

44mm幅キャリアテープ
44mm WIDTH CARRIER TAPE

| | | | | | | |
|--------------------------------|------|------|------|------|--------------|-------------|
| 44 | 49.4 | 45.4 | 22.4 | 25.3 | 52559-4090 | 40 |
| | | | 20.4 | 23.3 | 52559-3690 | 36 |
| キャリアテープ幅 CARRIER TAPE WIDTH | | | D | C | (B) | (A) |
| | | | | | MATERIAL NO. | CIRCUIT NO. |

| | | | | | | | |
|---|--|---------|-----------------------------|--|-------------------|---|---------------------------|
| REVISED EC NO: J2006-3700 DRWN: NABE 2006/06/16 CHKD: TOYODA 2006/06/19 APPR: NUKITA 2006/06/22 | GENERAL TOLERANCES (UNLESS SPECIFIED) | | DIMENSION STYLE MM ONLY | | SCALE --- | DESIGN UNITS METRIC | THIRD ANGLE PROJECTION |
| | 10 UNDER | ± --- | DRAWN BY S. KAJINUMA | | DATE '91/11/13 | TITLE 0.5 FPC CONN ASSY ZIF SMT ST EMBSTP PKG | |
| | 10 OVER 30 UNDER | ± --- | CHECKED BY S. KUNISHI | | DATE '00/12/20 | APPROVED BY M. FUKUSHIMA | |
| | 30 OVER | ± --- | APPROVED BY M. FUKUSHIMA | | DATE '00/12/20 | MOLEX INCORPORATED | |
| | ANGULAR | ± --- ° | MATERIAL NO. | | DOCUMENT NO. | SHEET NO. | |

| | | | | |
|---|--|------------------------------|---|--|
| DRAWN BY S. KAJINUMA | | DATE '91/11/13 | TITLE 0.5 FPC CONN ASSY ZIF SMT ST EMBSTP PKG | |
| CHECKED BY S. KUNISHI | | DATE '00/12/20 | APPROVED BY M. FUKUSHIMA | |
| APPROVED BY M. FUKUSHIMA | | DATE '00/12/20 | MOLEX INCORPORATED | |
| MATERIAL NO. | | DOCUMENT NO. SD-52559-051 | SHEET NO. 4 OF 4 | |
| SIZE A3 THIS DRAWING CONTAINS INFORMATION THAT IS PROPRIETARY TO MOLEX INCORPORATED AND SHOULD NOT BE USED WITHOUT WRITTEN PERMISSION | | | | |