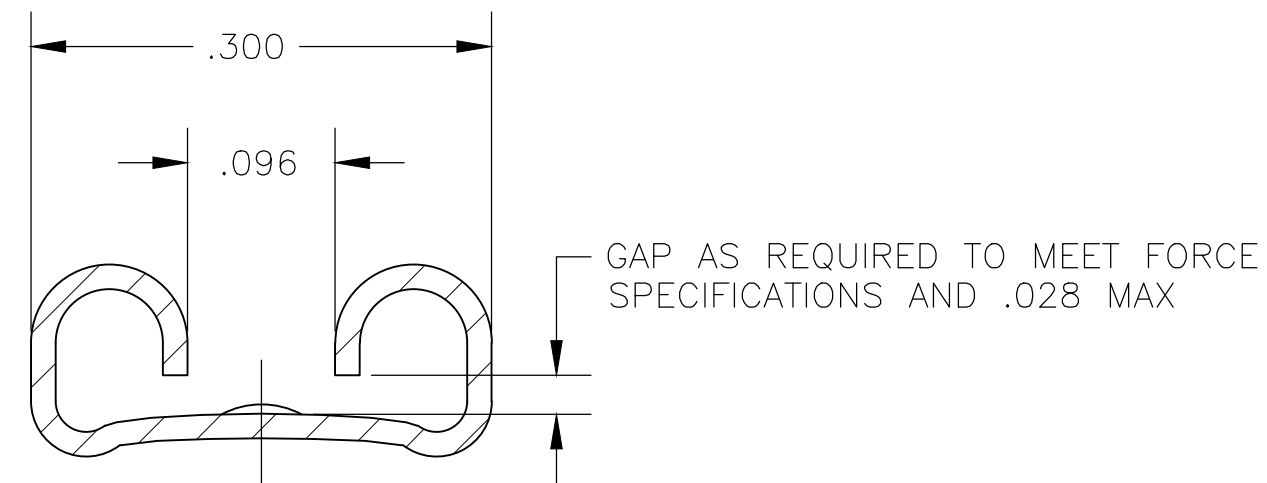
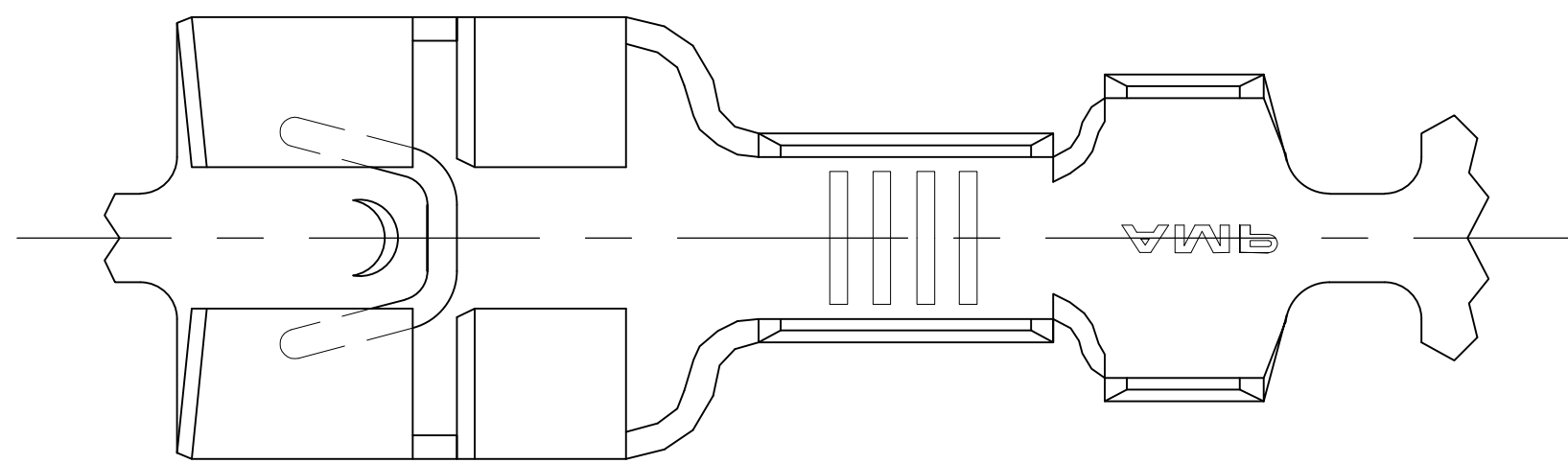


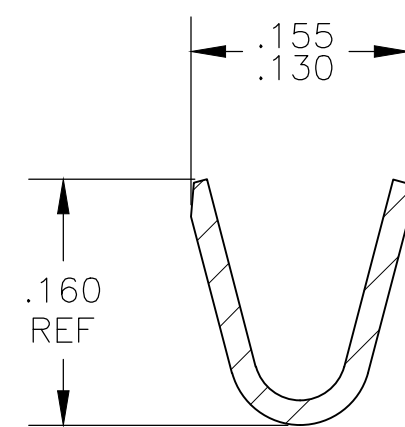
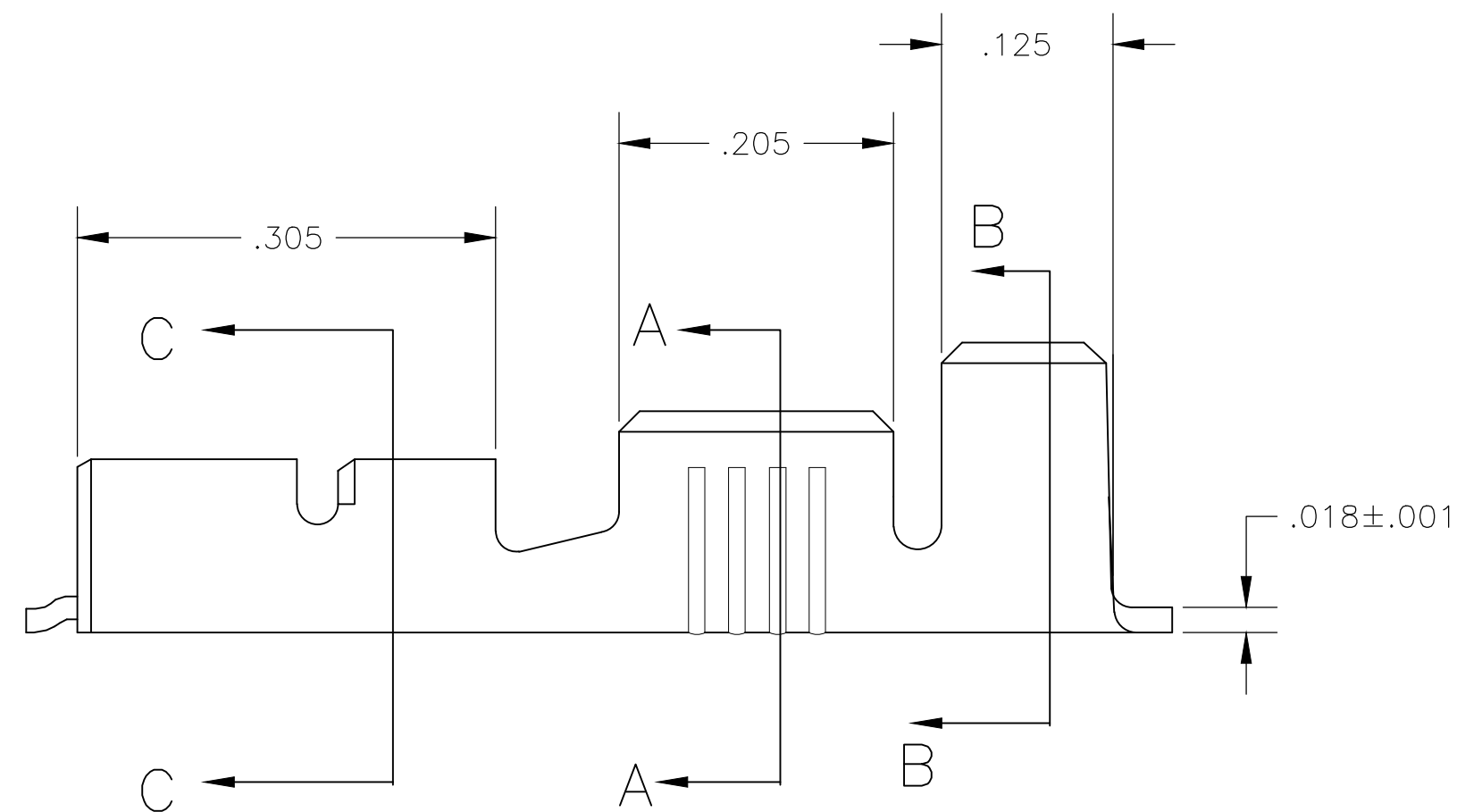
THIS DRAWING IS UNPUBLISHED. RELEASED FOR PUBLICATION
 © COPYRIGHT - By - ALL RIGHTS RESERVED.

LOC		DIST		REVISIONS			
P	LTR	DESCRIPTION		DATE	DWN	APVD	
AF	50	G1	REVISED PER ECR-20-009164		3AUG2020	MK	DH

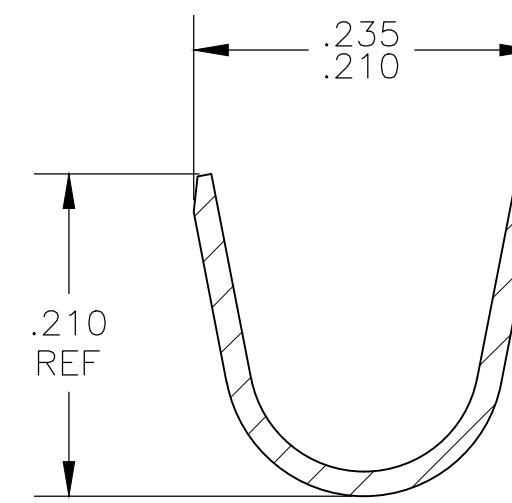
- CONTINUOUS STRIP ON REELS
- ACCEPTS #18-#14 AWG WIRE SIZE
CRIMP WIDTH, .120, F TYPE
- INSULATION RANGE IS .120-.170 DIA
CRIMP WIDTH, .180, F OR O TYPE
- MATING TAB THK IS .033-.030.



SECTION C-C



SECTION A-A



SECTION B-B

TIN	63537-2
-	63537-1
FINISH	PART NO

THIS DRAWING IS A CONTROLLED DOCUMENT.		DWN	JR_RUTH	21JUN02	 TE Connectivity																		
DIMENSIONS: INCHES		CHK	P_DESANTIS	21JUN02																			
TOLERANCES UNLESS OTHERWISE SPECIFIED:		APVD	P_DESANTIS	21JUN02																			
<table border="1"> <tr><td>0 PLC</td><td>±</td><td>-</td></tr> <tr><td>1 PLC</td><td>±</td><td>-</td></tr> <tr><td>2 PLC</td><td>±</td><td>-</td></tr> <tr><td>3 PLC</td><td>±</td><td>.010</td></tr> <tr><td>4 PLC</td><td>±</td><td>-</td></tr> <tr><td>ANGLES</td><td>±</td><td>-</td></tr> </table>		0 PLC	±	-		1 PLC	±	-	2 PLC	±	-	3 PLC	±	.010	4 PLC	±	-	ANGLES	±	-	PRODUCT SPEC	NAME	
0 PLC	±	-																					
1 PLC	±	-																					
2 PLC	±	-																					
3 PLC	±	.010																					
4 PLC	±	-																					
ANGLES	±	-																					
MATERIAL	BRASS	FINISH	SEE TABLE	WEIGHT	-	SIZE	A2	CAGE CODE	00779	DRAWING NO	C-63537	RESTRICTED TO	-										
CUSTOMER DRAWING		SCALE	8:1	SHEET	1 of 1	REV	G1																