

Blade Fuse Holders - FLR PCB Fuse Holder for ATO® Style Blade Fuse rated 58V

RoHS



Specifications

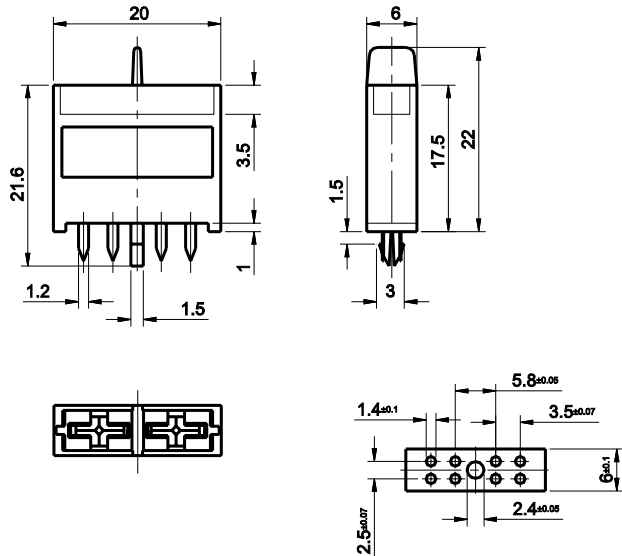
- Housing:** Out of thermoplastic (UL 94-V0, heat-resistant)
- Connections:** Leaf spring connector systems, soldering terminals (4 pins each), copper alloy, tinned
- Color:** Black
- Packaging:**

Series	Pack Size
178.4265.xxx2	500

PCB Fuse Holder for 42V PowerNet with coding for TAC fuses-links. For through hole soldering. Rated voltage 58V.

PCB-Sicherungshalter für 42-V-PowerNet, mit Kodierung für TAC-Sicherungen. Durchlötmontage, Nennspannung 58V.

Dimensions in mm / Maße in mm



Fuse Holders
PCB

Part Number Artikel-Nr.	Description Beschreibung	Contact Temperature Kontakttemperatur
178.4265.0002	Complete	max. 130°C

Corresponding fuse links see Section “Blade Fuses.”