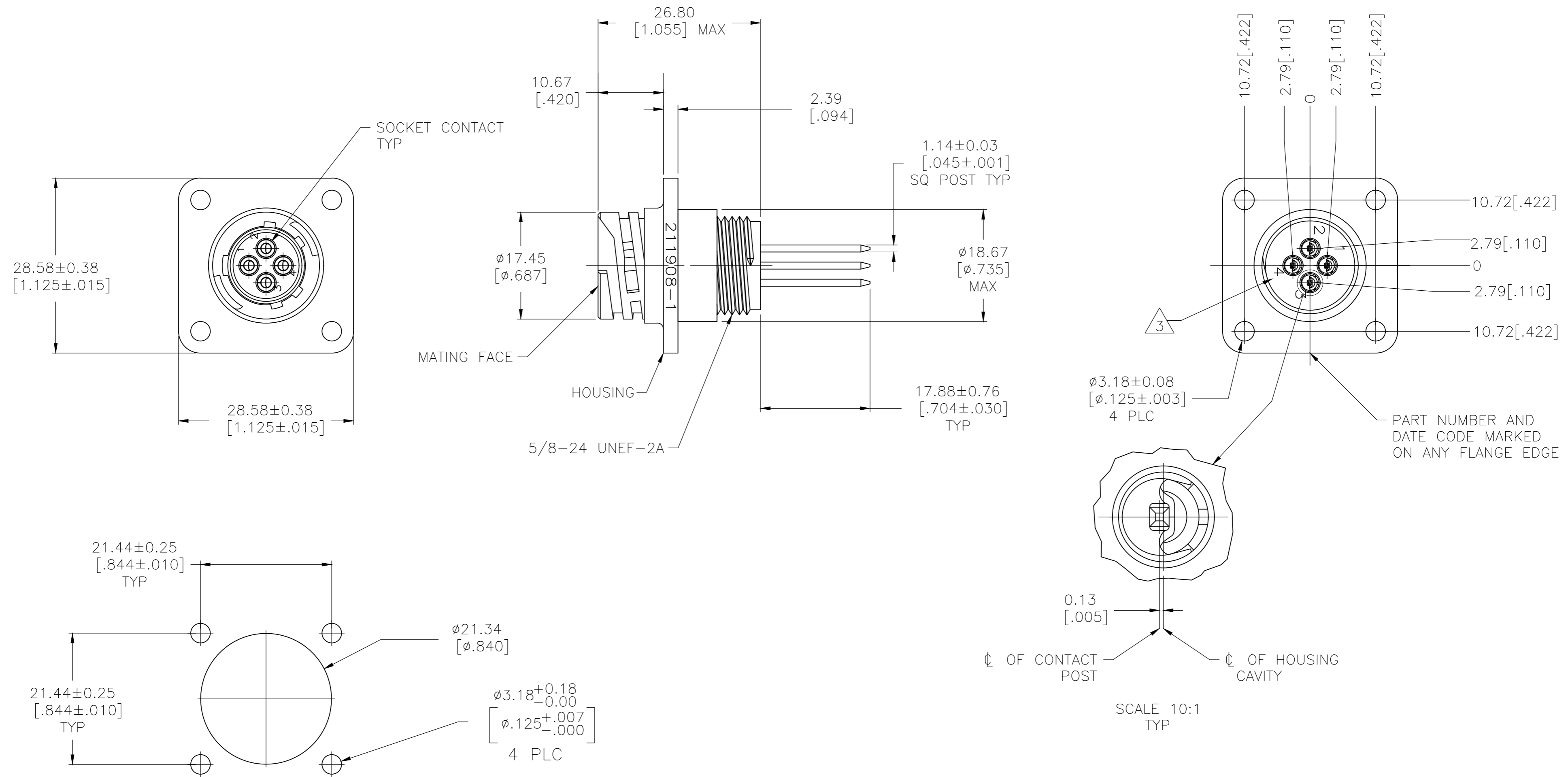


REVISIONS					
P	LTR	DESCRIPTION	DATE	DWN	APVD
C		REVISED PER ECO-20-008708	16JUL2020	RK	MZ



RECOMMENDED PANEL CUTOUT

- 1 HOUSING: POLYESTER, GRAY.
SOCKET CONTACT & POST: BRASS.
SPRING: STAINLESS STEEL.
- 2 SOCKET CONTACT & POST: 2.54µm[.000100] MIN TIN-LEAD OVER 1.27µm[.000050] MIN NICKEL.
- 3 CAVITY IDENTIFICATION ON FRONT AND REAR FACE.
- 4 RECOMMENDED PC BOARD HOLE SIZE FOR CONTACT POST = $1.80 \pm .10$ (.071 ± .004) DIA.
- 5 SOCKET CONTACT & POST: 2.54µm[.000100] MIN TIN OVER 1.27µm[.000050] MIN NICKEL.

5	1-788130-1
2	788130-1
CONTACT FINISH	PART NUMBER

THIS DRAWING IS A CONTROLLED DOCUMENT.		DWN	16 MAY 97		TE Connectivity
		CHK	19 MAY 97		
		APVD	19 MAY 97		
DIMENSIONS:		TOLERANCES UNLESS OTHERWISE SPECIFIED:		NAME	
mm [INCHES]				K.DOWHOWER	
		0 PLC ± - 1 PLC ± - 2 PLC ± 0.13 [.005] 3 PLC ± - 4 PLC ± - ANGLES ± -		PRODUCT SPEC 108-10024 APPLICATION SPEC 114-10038	
MATERIAL		FINISH		SIZE	
1		-		A2	
CUSTOMER DRAWING				CAGE CODE	
				00779	
				DRAWING NO	
				C=788130	
				RESTRICTED TO	
				-	
				SCALE	
				2:1	
				SHEET	
				1 of 1	
				REV	
				C	