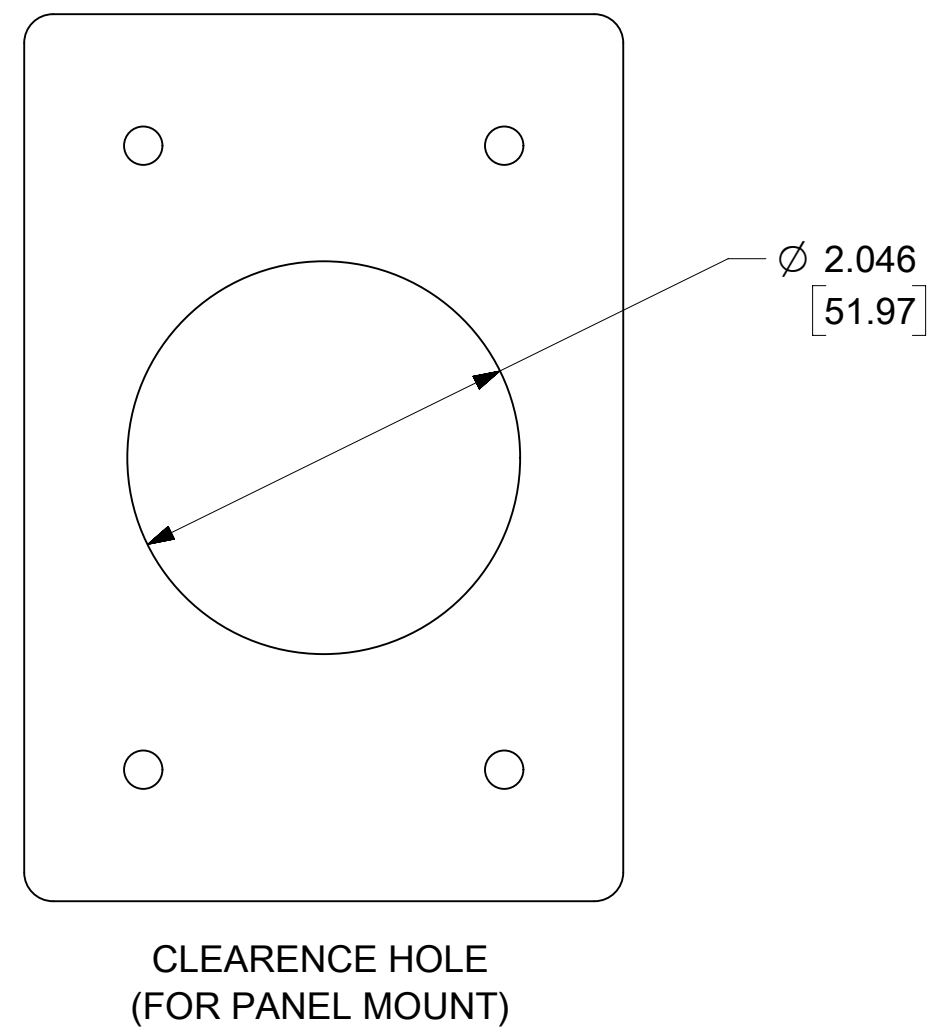
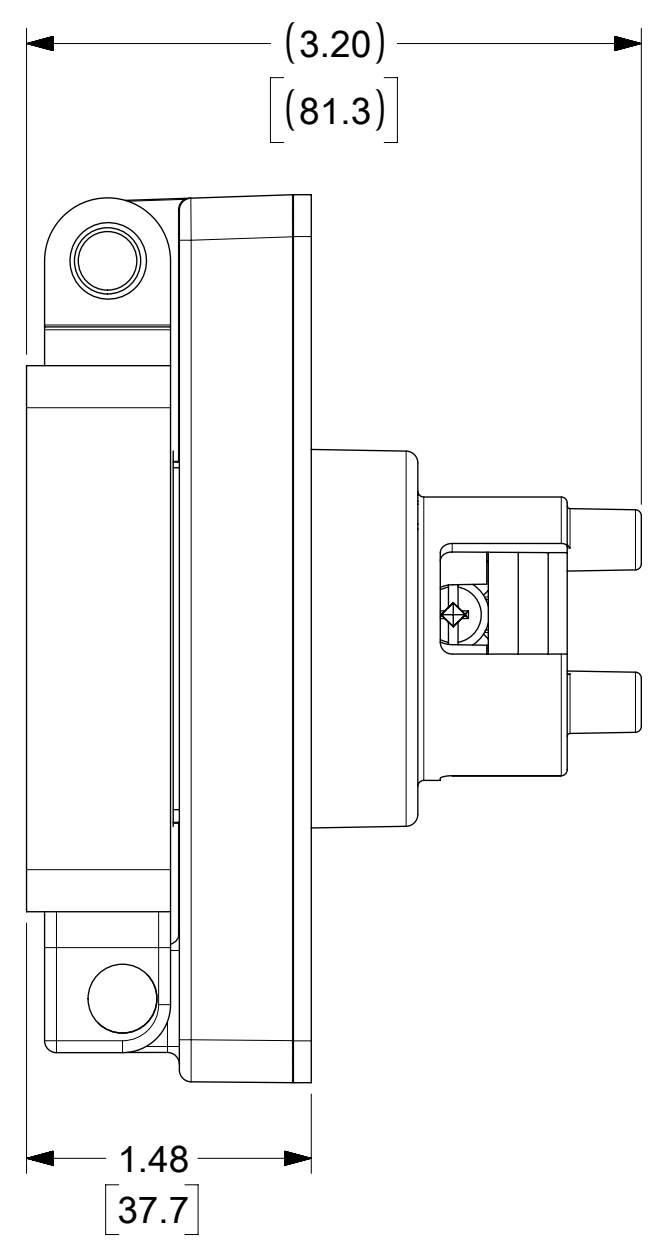
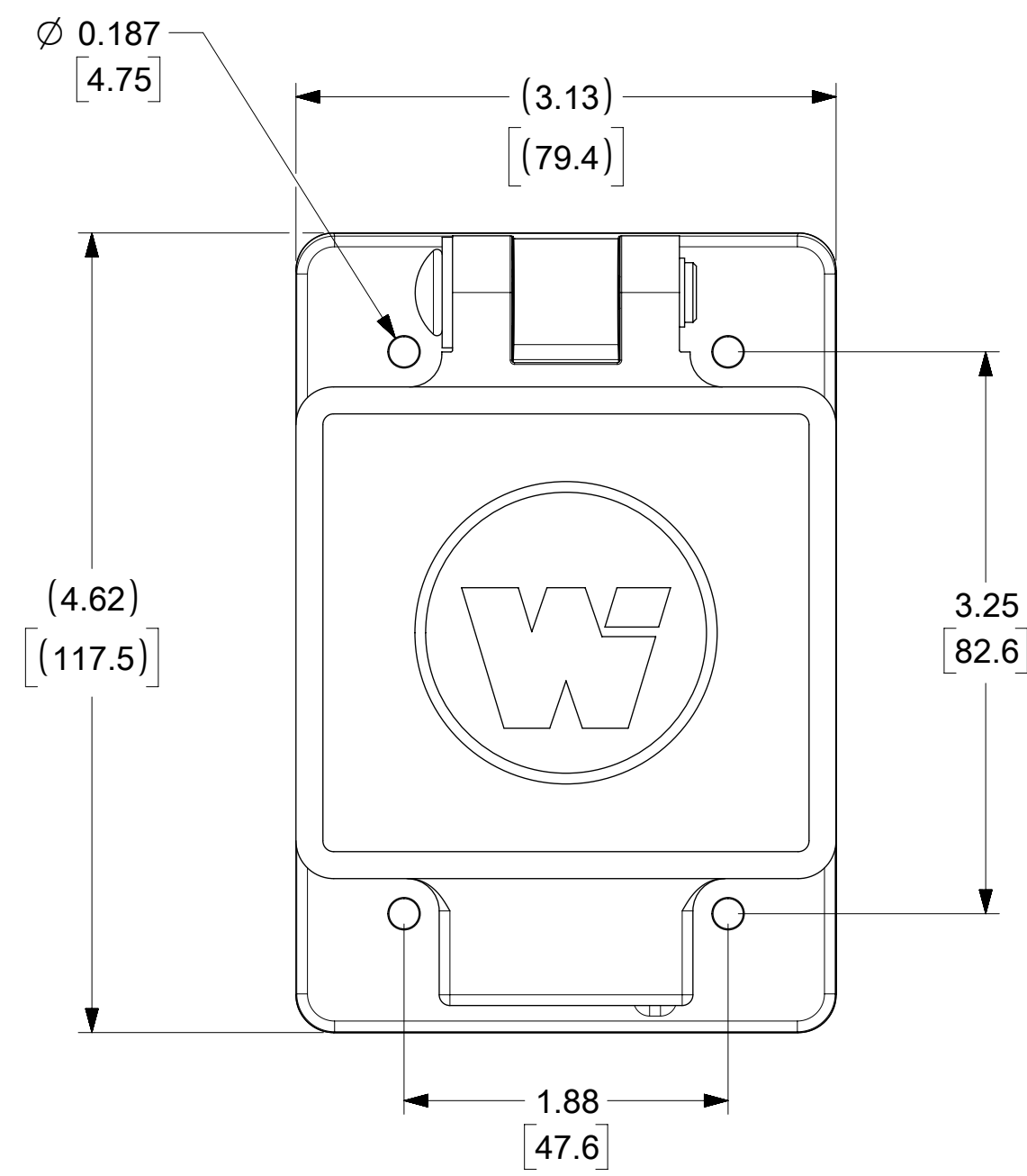
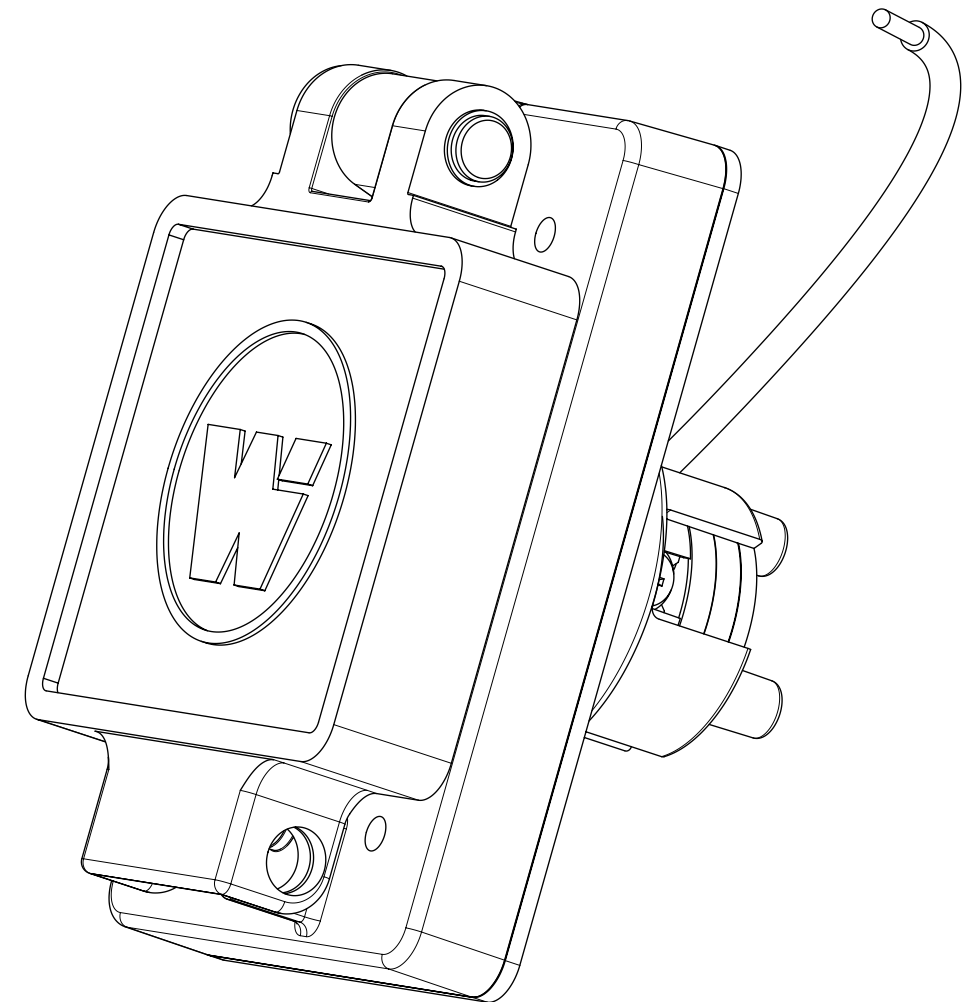
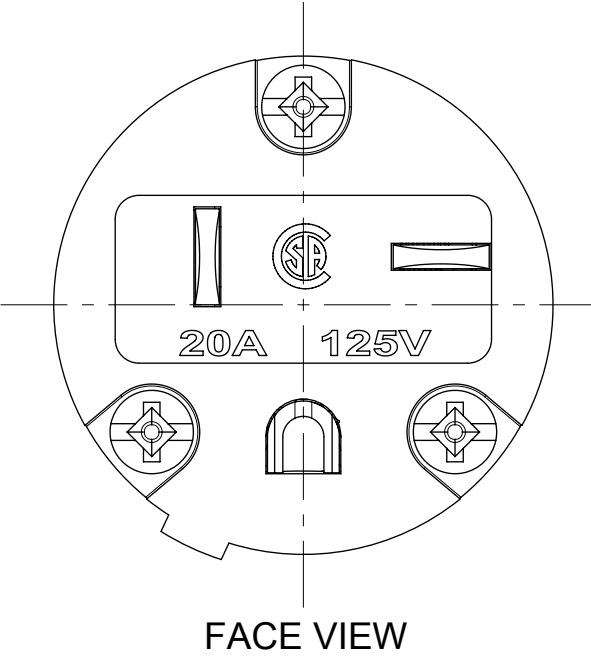


ORDER NO.	WOODHEAD NO.	COLOR
130146-0115	59W33	YELLOW



DESCRIPTION	MATERIAL	QTY.
BLADES	BRASS, NICKEL PLATED	3
RETAINING SCREWS	STAINLESS STEEL	3
CLAMP AND TERMINAL SCREW ASSY.	BRASS, ZINC PLATED	3
MALE INSERT	NYLON	1
TERMINAL COVER	POLYCARBONATE	1
COVER ASSEMBLY	POLYCARBONATE, STAINLESS STEEL, ALUMINUM	1
GASKET FLIP	NEOPRENE	1
MOTOR BASE MTG ASSY	POLYCARBONATE, STAINLESS STEEL, BRASS	1
SCREW (GROUND WIRE)	STAINLESS STEEL	1
JUMPER WIRE ASSY	COPPER, BRASS (TINNED FINISH)	1

THIS DRAWING CONTAINS INFORMATION THAT IS PROPRIETARY TO MOLEX ELECTRONIC TECHNOLOGIES, LLC AND SHOULD NOT BE USED WITHOUT WRITTEN PERMISSION									
SYMBOLS		DIMENSION UNITS		SCALE		CURRENT REV DESC: MIGRATE TO ECTR/NX			
= 0		INCH[MM]		NTS		<p>EC NO: 613337</p> <p>DRWN: SRPATIL 2018/12/17</p> <p>CHK'D: DNGUYEN62 2019/03/12</p> <p>APPR: HKNEELAND 2019/03/18</p> <p>INITIAL REVISION:</p> <p>DRWN: SRPATIL 2018/12/17</p> <p>APPR: HKNEELAND 2019/03/18</p>			
= 0		GENERAL TOLERANCES (UNLESS SPECIFIED)							
= 0		MM		INCH					
= 0		4 PLACES ±		±					
= 0		3 PLACES ±		±		<p>PRODUCT CUSTOMER DRAWING</p> <p>DOCUMENT NUMBER: 1301460115</p> <p>DOC TYPE: PSD</p> <p>DOC PART: 000</p> <p>REVISION: A</p>			
= 0		2 PLACES ±		±					
= 0		1 PLACE ±		±		<p>MATERIAL NUMBER: SEE TABLE</p> <p>CUSTOMER: GENERAL MARKET</p> <p>SHEET NUMBER: 1 OF 1</p>			
= 0		0 PLACES ±		±					
= 0		ANGULAR TOL ± °		°		<p>THIRD ANGLE PROJECTION</p> <p>DRAWING: C-SIZE</p> <p>SERIES: 130146</p>			
= 0		DRAFT WHERE APPLICABLE MUST REMAIN WITHIN DIMENSIONS							

DOCUMENT STATUS	P1	RELEASE DATE	2019/03/18 22:50:34
-----------------	----	--------------	---------------------