

MATERIALS AND FINISHES

PART NUMBERS 73413-0040, -0042, -0044

BODY BRASS
PLATED SEE TABLE

CENTER CONTACT BERYLLIUM COPPER
PLATED GOLD

INSULATOR TEFLON

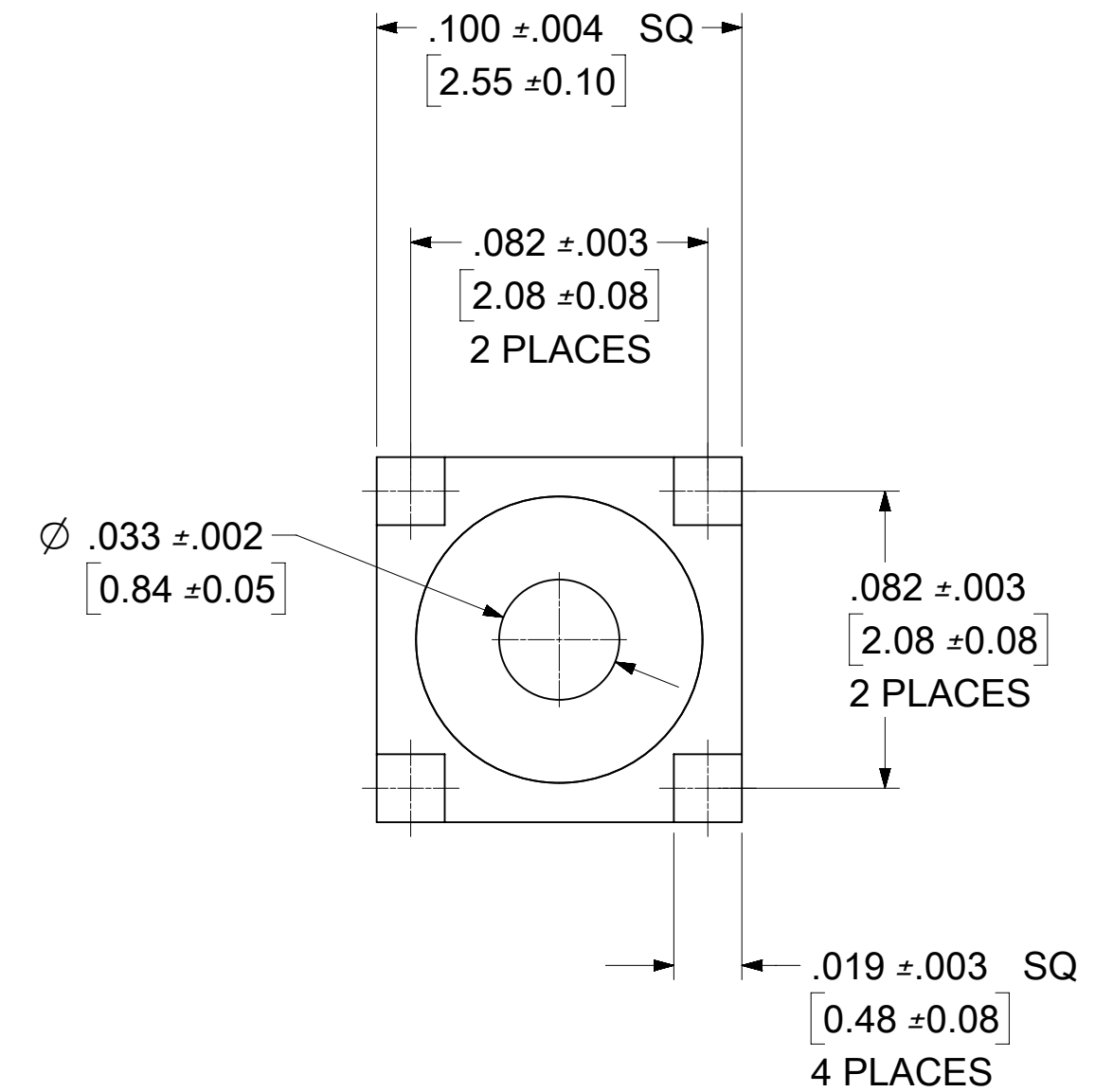
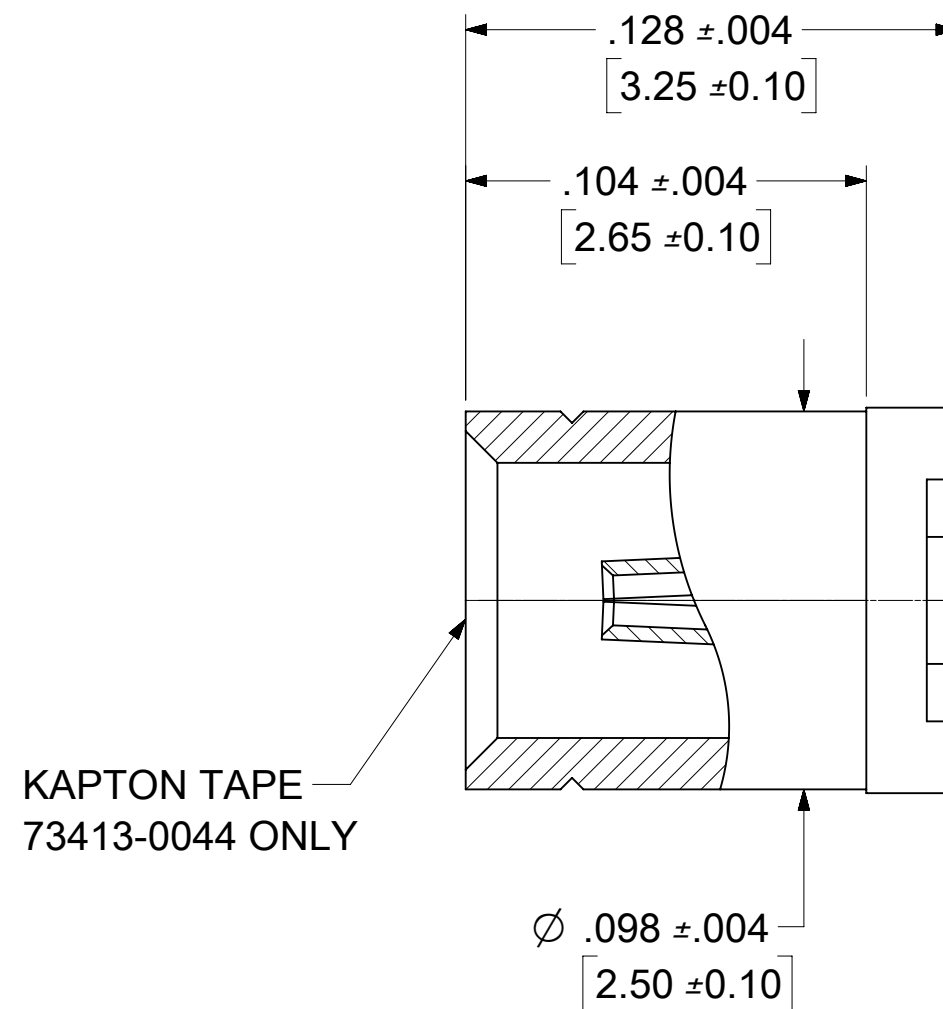
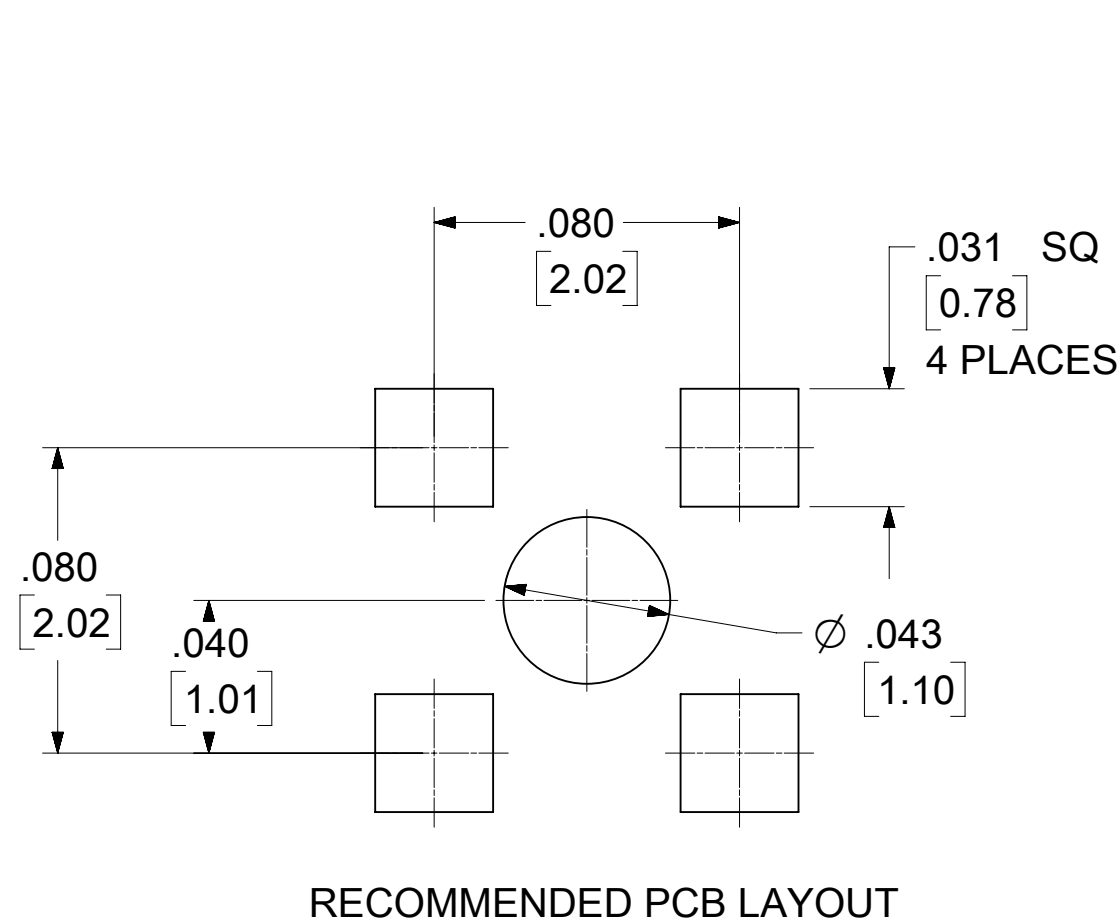
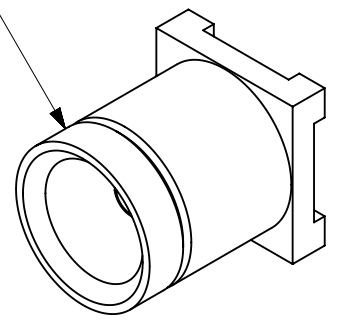
PART NUMBERS 73413-0041 AND -0043

BODY BERYLLIUM COPPER
PLATED SEE TABLE

CENTER CONTACT BERYLLIUM COPPER
PLATED GOLD

INSULATOR TEFLON

WITNESS MARK PRESENT
ON NON-MAGNETIC
VERSIONS ONLY

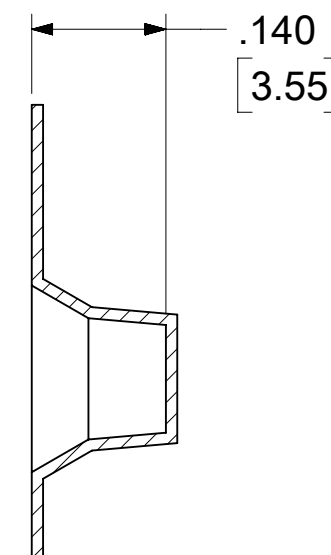
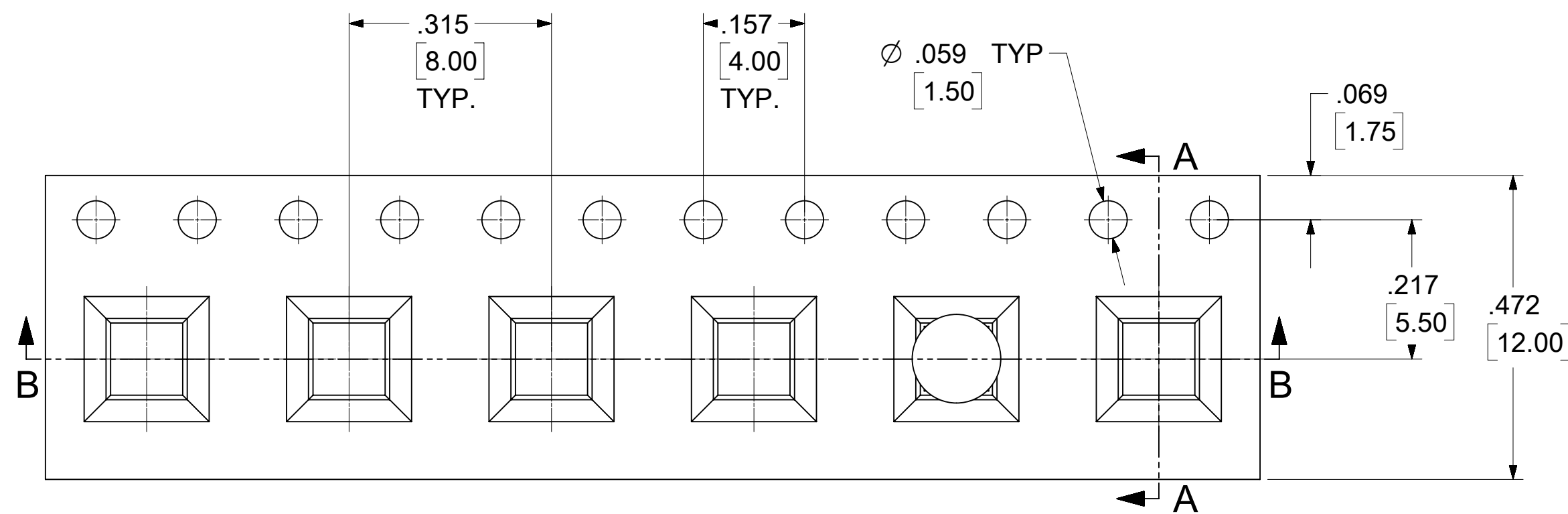


73413-0044	GENERAL	TAPE & REEL	GOLD
73413-0043	NON-MAGNETIC	TRAY	GOLD
73413-0042	GENERAL	SINGLE BAG	GOLD
73413-0041	NON-MAGNETIC	TRAY	TRI-M
73413-0040	GENERAL	TRAY	GOLD
PART NO.	MAG PROP	PACKAGING	BODY PLATING

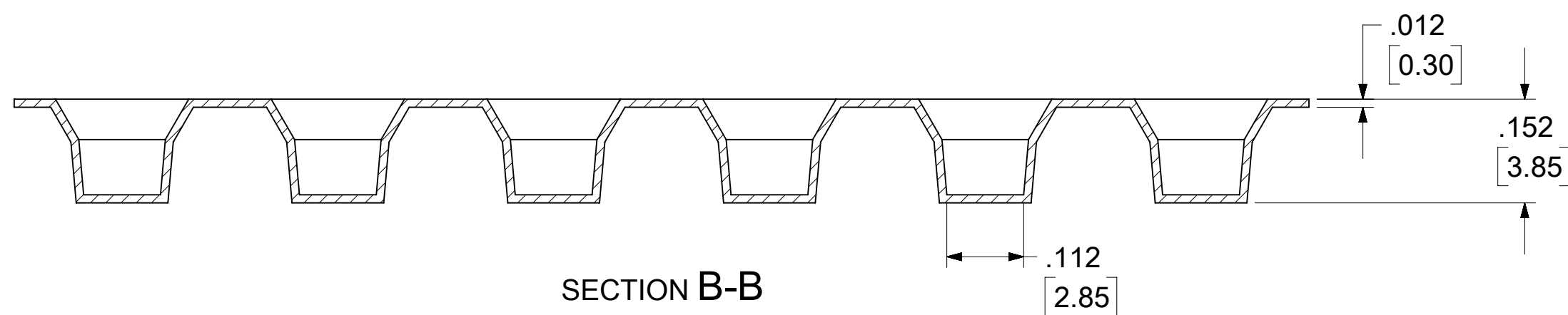
FOR 73413-0044 ONLY
REEL SIZE: 330mm (13")
TAPE WIDTH: 12mm (.47")
PARTS PER REEL: 2300

A9	2018/06/22	REDRAW TO ECTR DELETE PS PER EWR12230
REV.	DATE	DESCRIPTION

THIS DRAWING CONTAINS INFORMATION THAT IS PROPRIETARY TO MOLEX ELECTRONIC TECHNOLOGIES, LLC AND SHOULD NOT BE USED WITHOUT WRITTEN PERMISSION									
DIMENSION UNITS	SCALE	CURRENT REV DESC:				molex			
INCH									
GENERAL TOLERANCES (UNLESS SPECIFIED)		EC NO: 600987				SSMCX JACK PCB VERTICAL 50 OHM SSMCX-J/PCB EWR-3200			
ANGULAR TOL ± 2.0°		DRWN: CWEI02 2018/06/20							
4 PLACES ±		CHK'D: YCHENG 2018/07/04				PRODUCT CUSTOMER DRAWING			
3 PLACES ±		APPR: YCHENG 2018/07/04							
2 PLACES ±		INITIAL REVISION:				DOCUMENT NUMBER			
1 PLACE ±		DRWN: JOHN 2005/03/24							
0 PLACES ±		APPR: JWIENER 2010/10/21				SD-73413-004			
DRAFT WHERE APPLICABLE MUST REMAIN WITHIN DIMENSIONS		THIRD ANGLE PROJECTION	DRAWING	SERIES	MATERIAL NUMBER	CUSTOMER	DOC TYPE	DOC PART	REVISION
			C-SIZE	73413	SEE TABLE	GENERAL MARKET	PSD	001	A9
									SHEET NUMBER
									1 OF 3



SECTION A-A

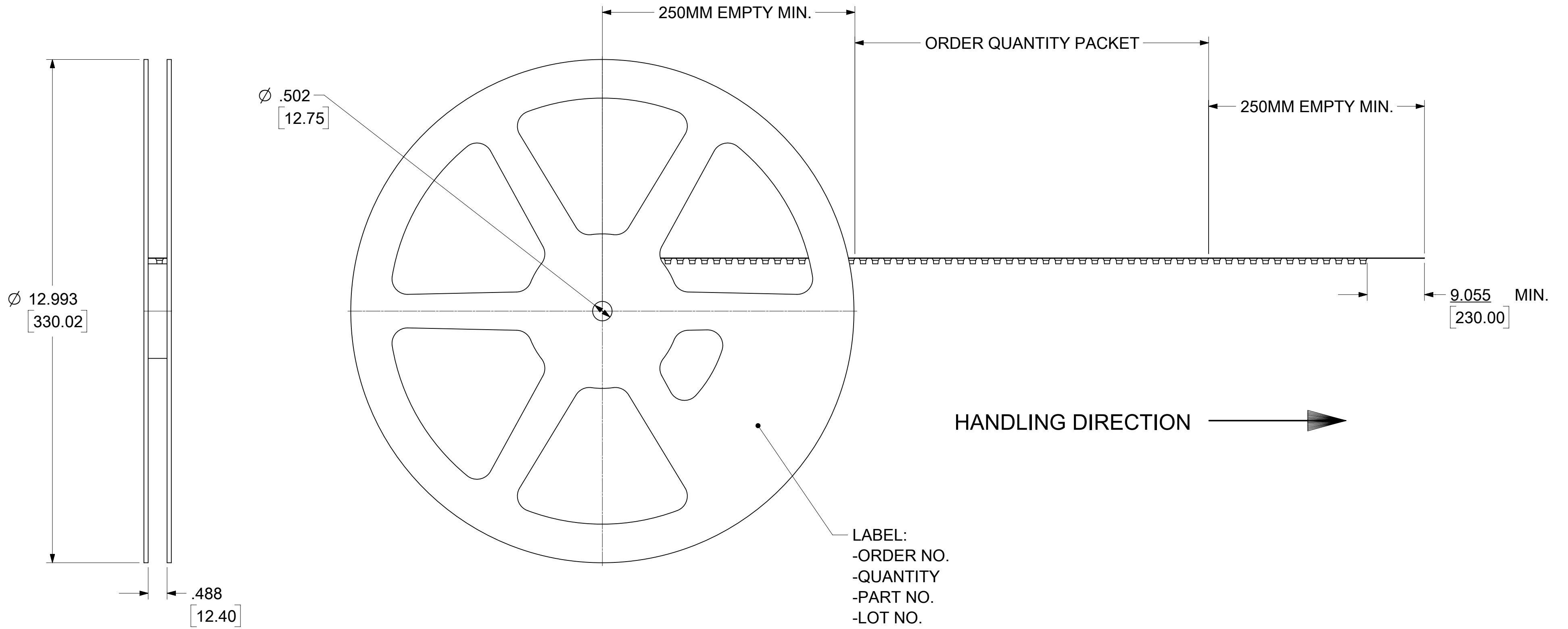


SECTION B-B

THIS DRAWING CONTAINS INFORMATION THAT IS PROPRIETARY TO MOLEX ELECTRONIC TECHNOLOGIES, LLC AND SHOULD NOT BE USED WITHOUT WRITTEN PERMISSION

DIMENSION UNITS		SCALE		CURRENT REV DESC:		molex				
INCH										
GENERAL TOLERANCES (UNLESS SPECIFIED)				EC NO: 600987		SSMCX JACK PCB VERTICAL 50 OHM SSMCX-J/PCB EWR-3200				
ANGULAR TOL ± 2.0°				DRWN: CWEI02 2018/06/20						
4 PLACES ±				CHK'D: YCHENG 2018/07/04		PRODUCT CUSTOMER DRAWING				
3 PLACES ±				APPR: YCHENG 2018/07/04						
2 PLACES ±				INITIAL REVISION:		DOCUMENT NUMBER				
1 PLACE ±				DRWN: JOHN 2005/03/24						SD-73413-004
0 PLACES ±				APPR: JWIENER 2010/10/21		DOC TYPE				
DRAFT WHERE APPLICABLE		THIRD ANGLE PROJECTION		DRAWING						SERIES
MUST REMAIN WITHIN DIMENSIONS				C-SIZE		73413		001		A9
SEE SHEET 1		GENERAL MARKET		SHEET NUMBER		2 OF 3				

DOCUMENT STATUS	P1	RELEASE DATE	2018/07/04	06:12:33
-----------------	----	--------------	------------	----------



THIS DRAWING CONTAINS INFORMATION THAT IS PROPRIETARY TO MOLEX ELECTRONIC TECHNOLOGIES, LLC AND SHOULD NOT BE USED WITHOUT WRITTEN PERMISSION

DIMENSION UNITS		SCALE		CURRENT REV DESC:				molex				
INCH												
GENERAL TOLERANCES (UNLESS SPECIFIED)				EC NO: 600987				SSMCX JACK PCB VERTICAL 50 OHM SSMCX-J/PCB EWR-3200				
ANGULAR TOL ± 2.0°				DRWN: CWEI02 2018/06/20								
4 PLACES ±				CHK'D: YCHENG 2018/07/04				PRODUCT CUSTOMER DRAWING				
3 PLACES ±				APPR: YCHENG 2018/07/04								
2 PLACES ±				INITIAL REVISION:				DOCUMENT NUMBER				
1 PLACE ±				DRWN: JOHN 2005/03/24				SD-73413-004		DOC TYPE	DOC PART	REVISION
0 PLACES ±				APPR: JWIENER 2010/10/21				PSD		001	A9	
DRAFT WHERE APPLICABLE MUST REMAIN WITHIN DIMENSIONS		THIRD ANGLE PROJECTION		DRAWING		SERIES		MATERIAL NUMBER		CUSTOMER		SHEET NUMBER
				C-SIZE		73413		SEE SHEET 1		GENERAL MARKET		3 OF 3