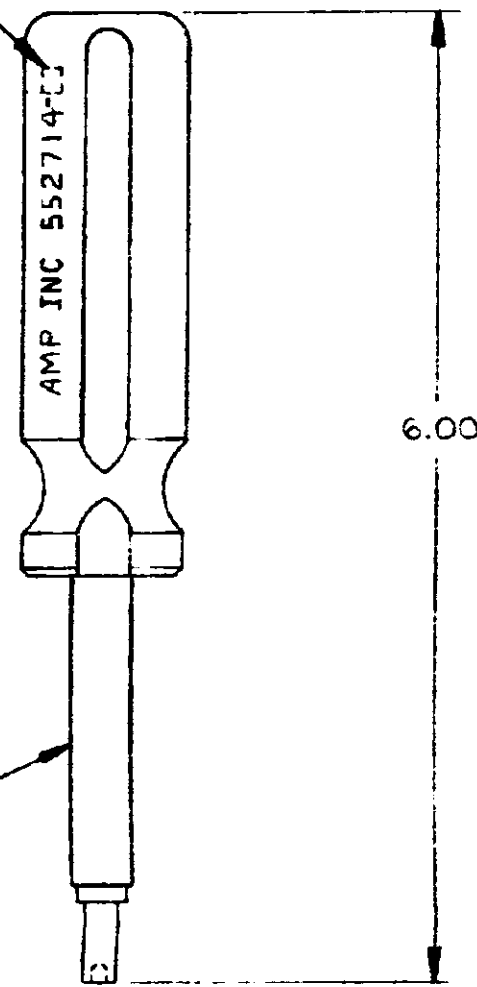


DRAWING MADE IN THIRD ANGLE PROJECTION

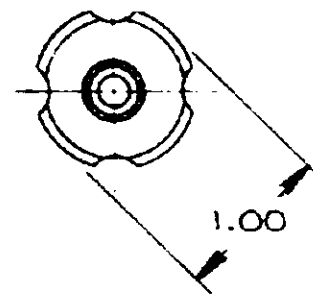
© COPYRIGHT 1979 BY AMP INCORPORATED, HARRISBURG, PA. ALL INTERNATIONAL RIGHTS RESERVED. AMP INCORPORATED PRODUCTS COVERED BY U. S. AND FOREIGN PATENTS AND/OR PATENTS PENDING.

REVISIONS				DATE	APPROVED
P	F	ZONE	LTR	DESCRIPTION	
6				REV PER ECN AA-1556	3/19/82 MTS

PART NUMBER
(SEE TABLE)



COLOR CODED
HEAT-SHRINK
TUBING



1. MATERIAL: HANDLE - CELLULOSIC - (AMBER).
SHANK & PIN - CARBON STEEL.
2. ALL DIMENSIONS SHOWN ARE FOR REFERENCE ONLY,
UNLESS OTHERWISE SPECIFIED.

WAS 1222-77-1 THRU-4 1-6

552714

COLOR CODE	WIRE RANGE	FOR USE WITH TERMINAL NO.	PART NO
GREEN	26-28 AWG	553015-1 & -2	552714-5
BLUE	22-28 AWG	552967-1 & -2	552714-4
WHITE	24-28 AWG	552699-1 THRU-6	552714-3
RED	18-24 AWG	552770-1 & -2	552714-2
YELLOW	18-22 AWG	552699-1 THRU-6	552714-1

UNLESS OTHERWISE SPECIFIED DIMENSIONS ARE IN INCHES. TOLERANCES ON: DECIMALS ± .004 ANGLES ± .004	CONTRACT NO	AMP INCORPORATED Harrisburg, Pa.	
	DR 10-4-79		
	MATERIAL	NAME	STUFFER, WIRE, AMP-BARREL
	CHK V/S Steel 10/5/79	APPD R. B. ... 11/15/79	
FINISH	DSGN APPD	SIZE CODE IDENT NO	DRAWING NO
	OTHER APPD R. Kersch 12/15/79	C 00779	552714
		SCALE 1/1	SHEET 1 OF 1

1271-6 (7-73)

CUSTOMER DRAWING