

HEADER WITH LEFT HOLD DOWN (FIG.1)				
PART NUMBER	NUMBER OF POWER MODULES	'DIM A'	PLATING OPTION	LEFT HOLD DOWN MODULE LOCATION ⁹
78353-100*	1X	15.00	TIN	REFER TO SHEET 2 FOR DETAILS
78353-10**	2X	26.40		

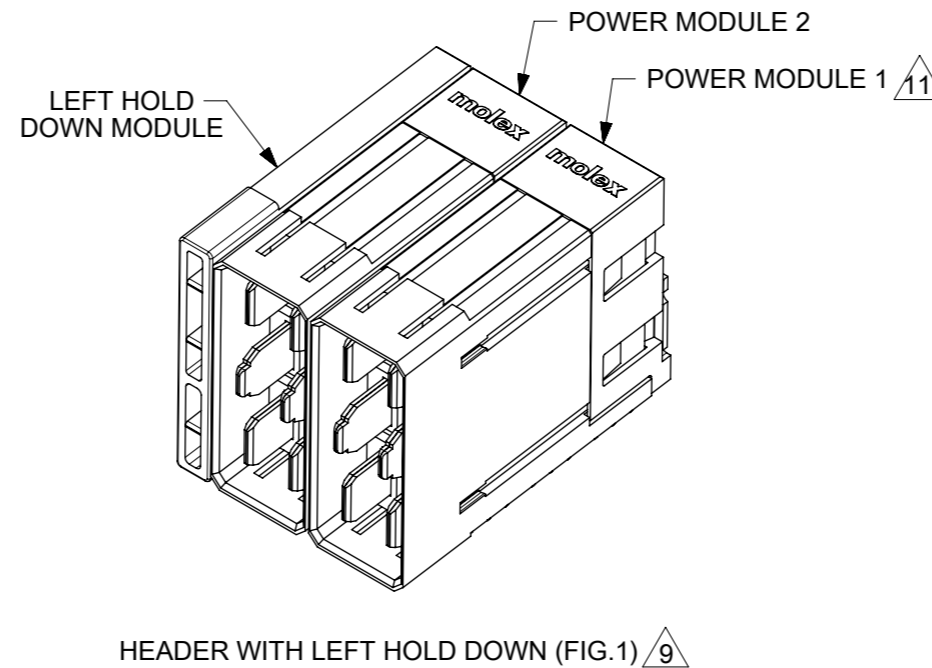
HEADER WITH RIGHT HOLD DOWN (FIG.2)				
PART NUMBER	NUMBER OF POWER MODULES	'DIM A'	PLATING OPTION	RIGHT HOLD DOWN MODULE LOCATION ⁹
78353-200*	1X	15.00	TIN	REFER TO SHEET 3 FOR DETAILS
78353-20**	2X	26.40		

78353-*0**

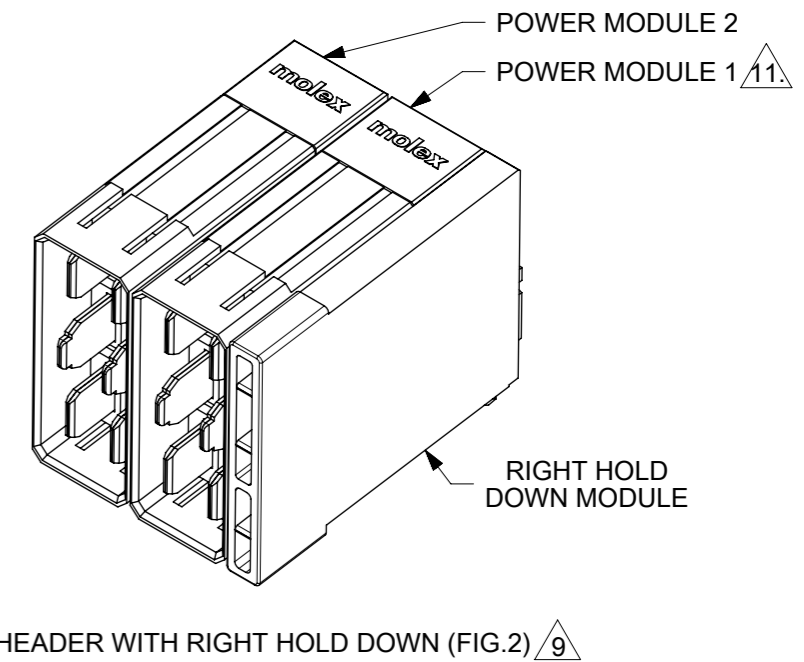
PLATING OPTION	HOLD DOWN MODULE LOCATION	*
TIN	LEFT	1
	RIGHT	2

POWER MODULE 2			
*	BLADE LENGTH		
	P1	P2	P3
0	MODULE NOT PRESENT		
1	6.90	6.90	6.90
2	5.70	5.70	6.90
5	6.90	5.70	5.70
7	5.70	6.90	6.90

POWER MODULE 1 ¹¹			
*	BLADE LENGTH		
	P1	P2	P3
1	6.90	6.90	6.90
2	5.70	5.70	6.90
5	6.90	5.70	5.70
7	5.70	6.90	6.90



HEADER WITH LEFT HOLD DOWN (FIG.1) ⁹



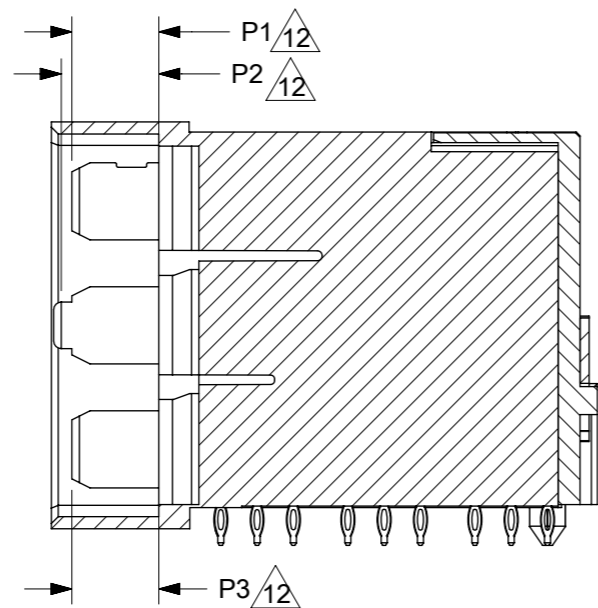
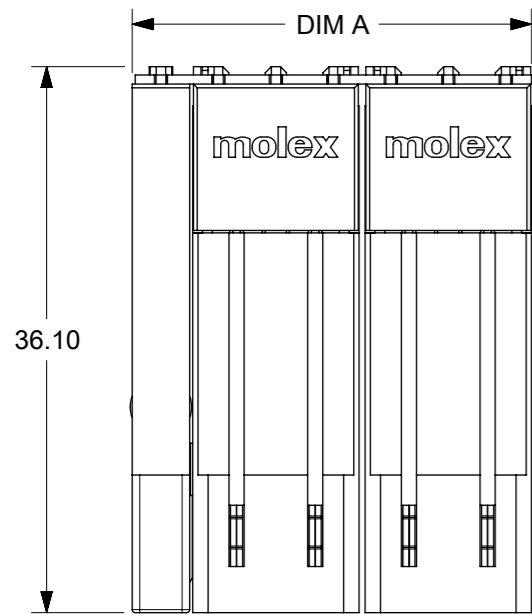
HEADER WITH RIGHT HOLD DOWN (FIG.2) ⁹

NOTES:

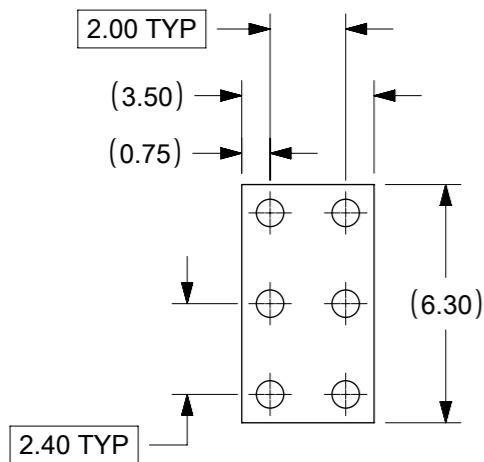
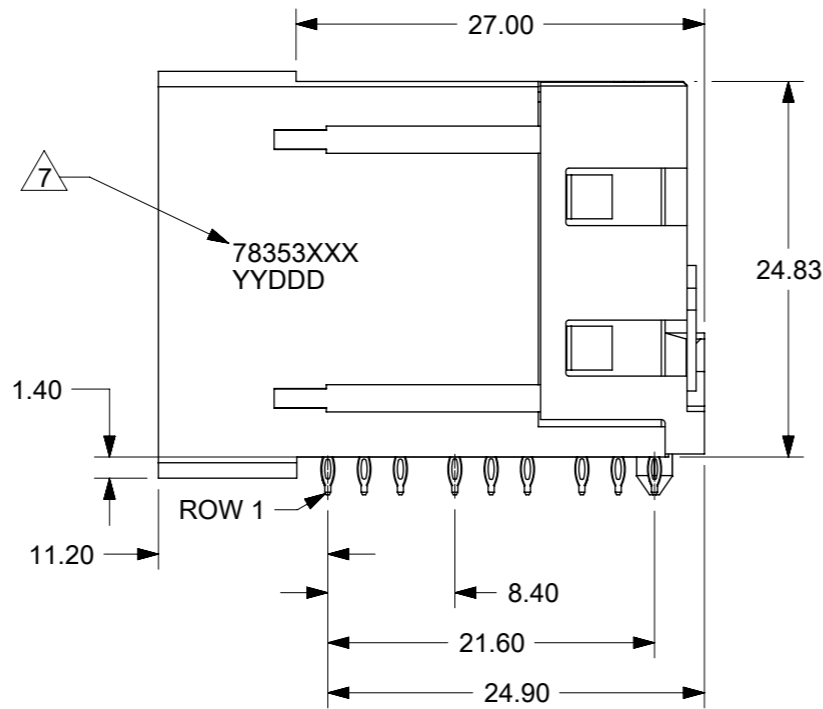
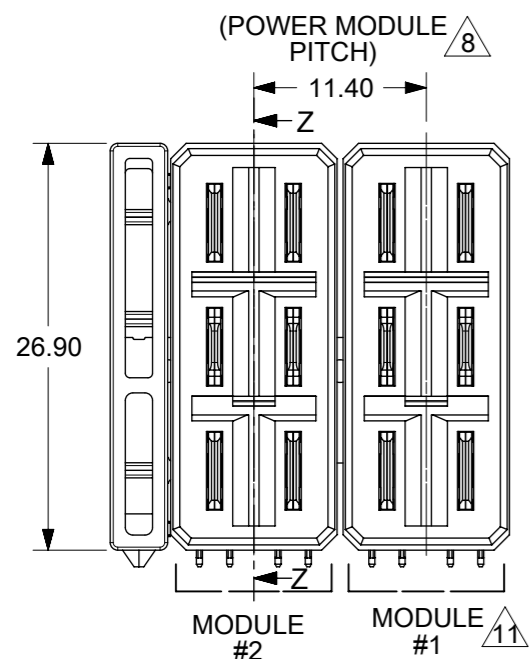
- MATERIALS:
HOUSING - HIGH TEMP. THERMOPLASTIC, GLASS FILLED, UL94-V0,COLOR:BLACK.
POWER PIN - COPPER ALLOY.
- FINISH:
POWER CONTACTS
0.76µm MINIMUM GOLD AT CONTACT AREA AND
2.54µm MINIMUM TIN AT SOLDER TAIL AREA
OVER 1.27µm MINIMUM NICKEL UNDERPLATE.
- PRODUCT SPECIFICATION: PS-78213-001.
- COMPONENT STAY AWAY ZONE FROM CONNECTOR.
- REFER TO MOLEX PRODUCT SPECIFICATION PS-78213-001 FOR PLATED THROUGH-HOLE SPECIFICATIONS AND TORQUE FORCE.
- MATES WITH 78218-****.
- PART NUMBER AND YEAR-DAY CODE. CAN BE AT THE OPPOSITE SIDE.
- ADD 11.4mm FOR EACH ADDITIONAL POWER MODULE.
- THE DETAILS FOR LEFT & RIGHT HOLD DOWN OPTION ARE SHOWN IN SHEET 2 AND SHEET 3 RESPECTIVELY.
- CONNECTORS ARE PACKED IN A TRAY.
- FIRST POWER MODULE (#1) START FROM THE RIGHT.
- REFER TO SD-78217-003 FOR DETAILS OF THE POWER MODULE.
- ALL PARTS ARE SHIPPED WITH A 2-32 TYPE AB SELF-TAPPING SCREW PART NUMBER 73726-0000.
- PACKAGING SPECIFICATION:
PK-78353-001 (1X MODULE WITH HOLD DOWN MODULE)
PK-78353-002 (2X MODULE WITH HOLD DOWN MODULE)

SYMBOLS	THIS DRAWING CONTAINS INFORMATION THAT IS PROPRIETARY TO MOLEX ELECTRONIC TECHNOLOGIES, LLC AND SHOULD NOT BE USED WITHOUT WRITTEN PERMISSION		CURRENT REV DESC: MIGRATION TO NX		
	DIMENSION UNITS	SCALE			
▽ = 0	MM ONLY	NTS			IMPACT POWER, 6 PAIR HEADER WITH HOLD DOWN PRESS FIT
▽ = 0	GENERAL TOLERANCES (UNLESS SPECIFIED)				
▽ = 0	ANGULAR TOL ± 3.0°				PRODUCT CUSTOMER DRAWING
▽ = 0	4 PLACES ±				
▽ = 0	3 PLACES ±				DOCUMENT NUMBER SD-78353-001
▽ = 0	2 PLACES ± 0.25				
▽ = 0	1 PLACE ±				DOC TYPE PSD
▽ = 0	0 PLACES ±				
□ = 0	DRAFT WHERE APPLICABLE MUST REMAIN WITHIN DIMENSIONS		THIRD ANGLE PROJECTION	DRAWING	DOC PART 001
▽ = 0					
			SERIES	MATERIAL NUMBER	CUSTOMER GENERAL MARKET
			A3-SIZE	78353	
				SEE TABLE	SHEET NUMBER 1 OF 5

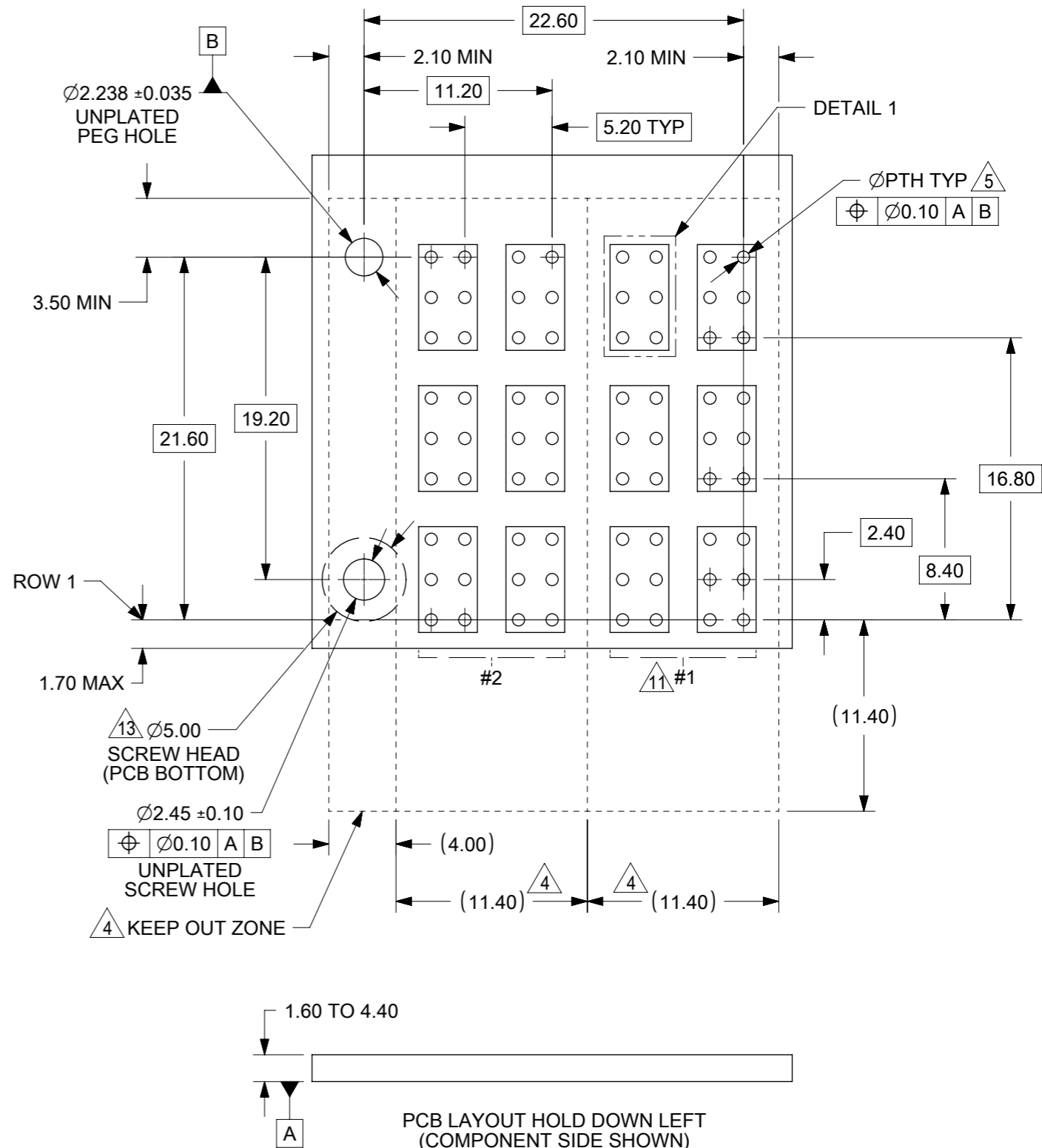
LEFT HOLD DOWN OPTION



SECTION Z-Z



COPPER PAD REFERENCE DETAIL 1



PCB LAYOUT HOLD DOWN LEFT (COMPONENT SIDE SHOWN)

SYMBOLS		THIS DRAWING CONTAINS INFORMATION THAT IS PROPRIETARY TO MOLEX ELECTRONIC TECHNOLOGIES, LLC AND SHOULD NOT BE USED WITHOUT WRITTEN PERMISSION		CURRENT REV DESC: MIGRATION TO NX	
▽ = 0	MM ONLY	SCALE	NTS		
▽ = 0	GENERAL TOLERANCES (UNLESS SPECIFIED)		EC NO: 602221		
▽ = 0	ANGULAR TOL ± 3.0°		DRWN: JSGOH01	2018/07/25	
▽ = 0	4 PLACES ±		CHK'D: SHONG	2018/08/07	
▽ = 0	3 PLACES ±		APPR: SHONG	2018/08/07	
▽ = 0	2 PLACES ± 0.25		INITIAL REVISION:		
▽ = 0	1 PLACE ±		DRWN: LNG	2010/12/02	
▽ = 0	0 PLACES ±		APPR: KJKOH	2011/04/11	
▽ = 0	DRAFT WHERE APPLICABLE MUST REMAIN WITHIN DIMENSIONS		THIRD ANGLE PROJECTION	DRAWING	SERIES
▽ = 0			A3-SIZE	78353	MATERIAL NUMBER
			SEE TABLE	CUSTOMER	SHEET NUMBER
			GENERAL MARKET	SD-78353-001	2 OF 5

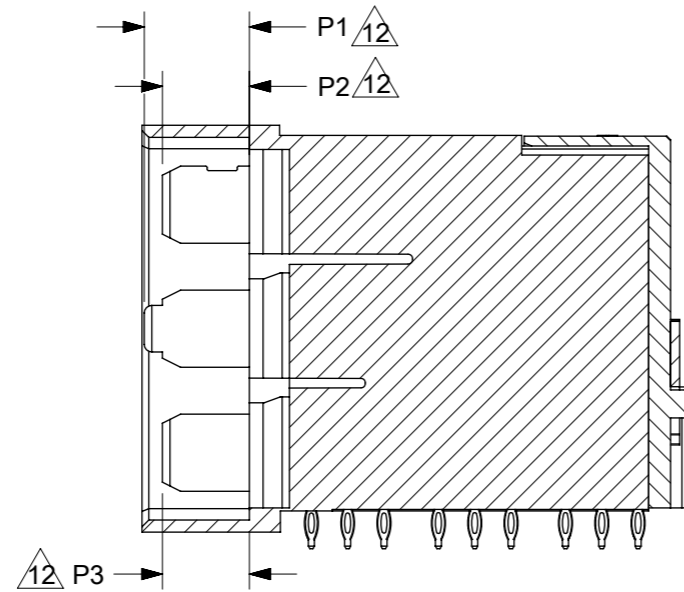
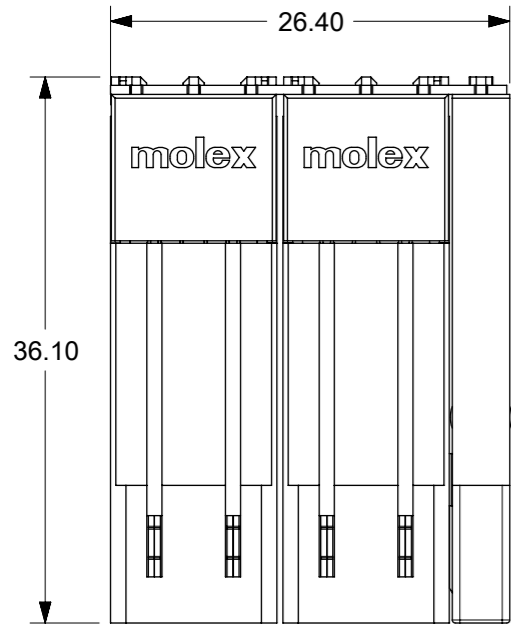
molex

IMPACT POWER, 6 PAIR
HEADER WITH HOLD DOWN PRESS FIT

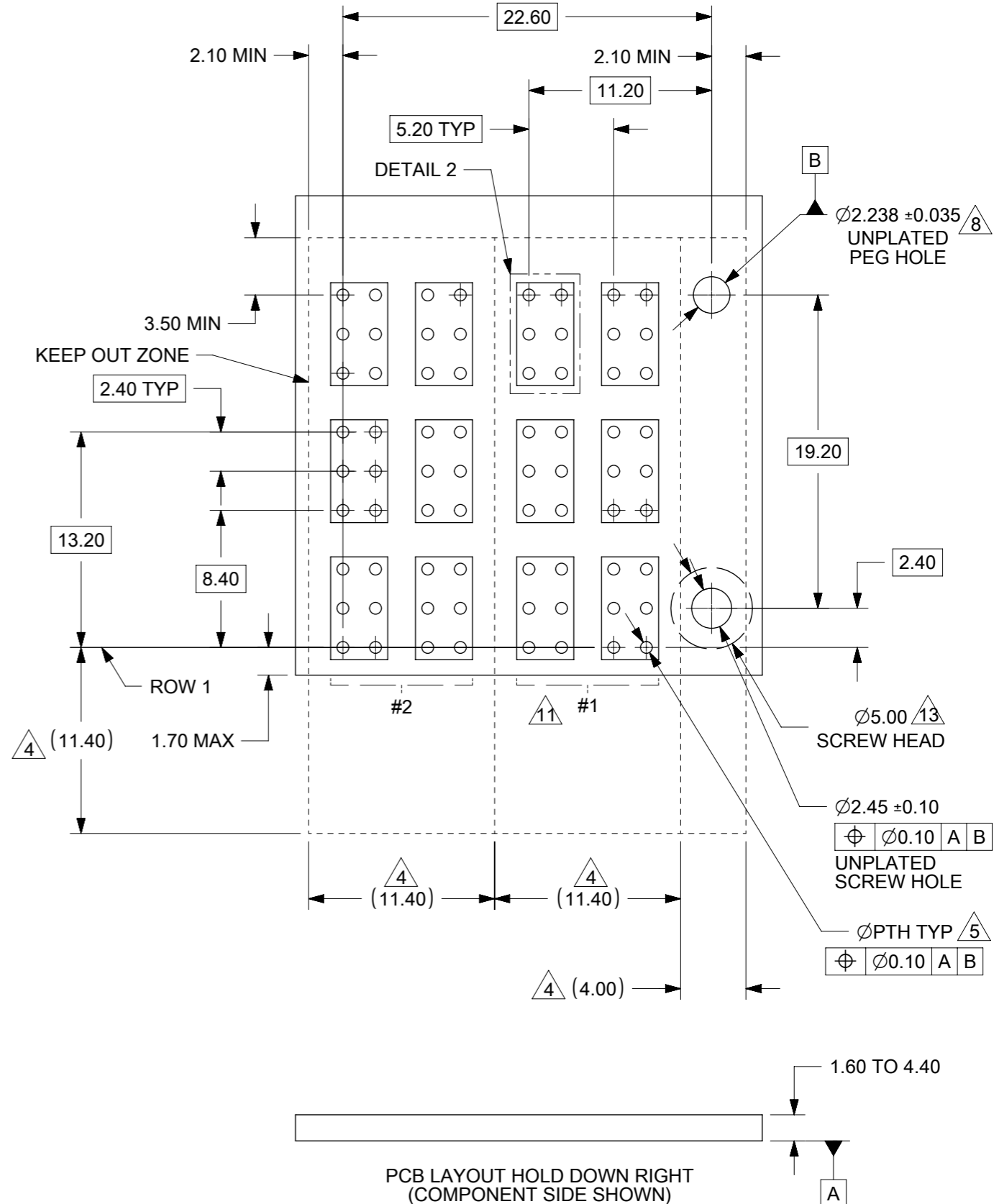
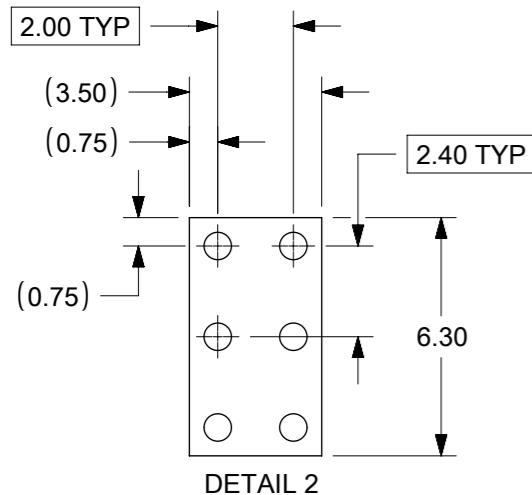
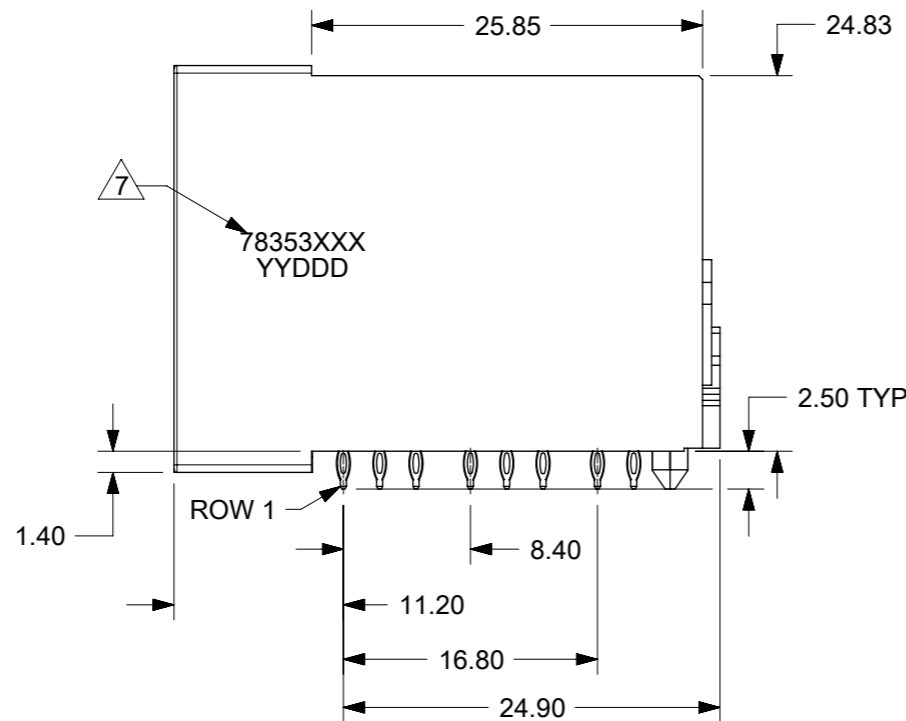
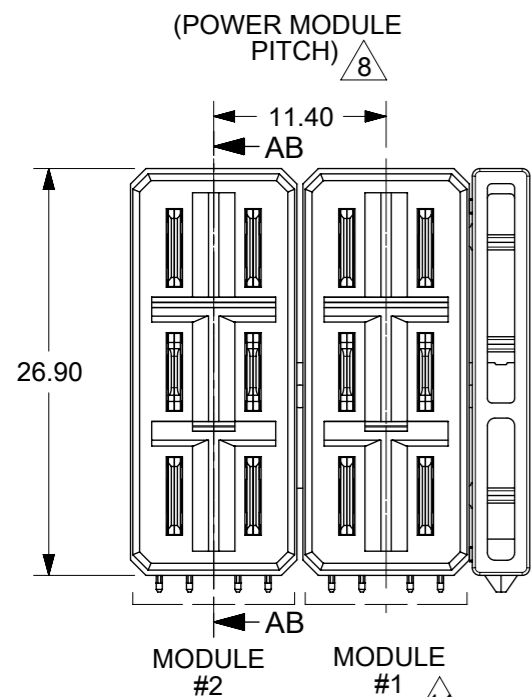
PRODUCT CUSTOMER DRAWING

DOCUMENT NUMBER	DOC TYPE	DOC PART	REVISION
SD-78353-001	PSD	001	B5

RIGHT HOLD DOWN OPTION

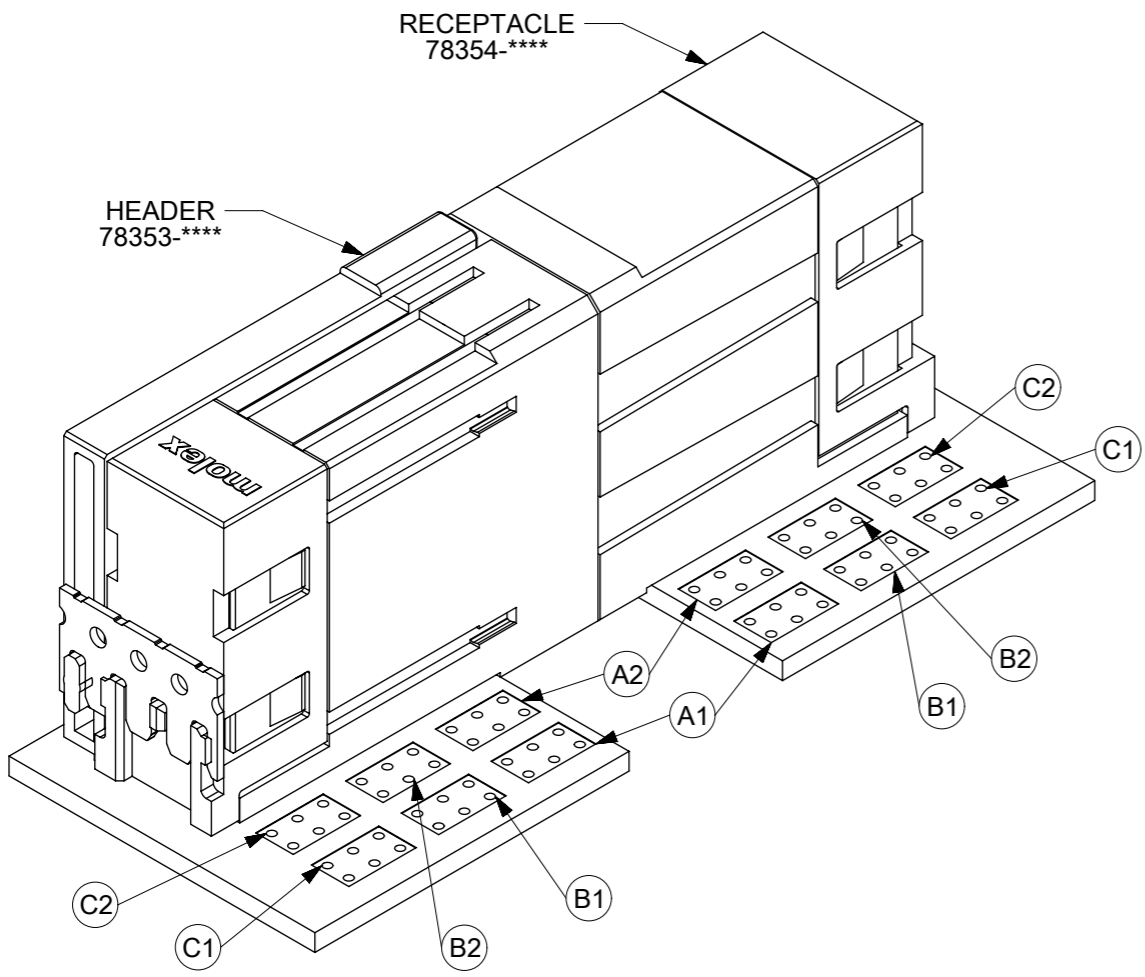


SECTION AB-AB

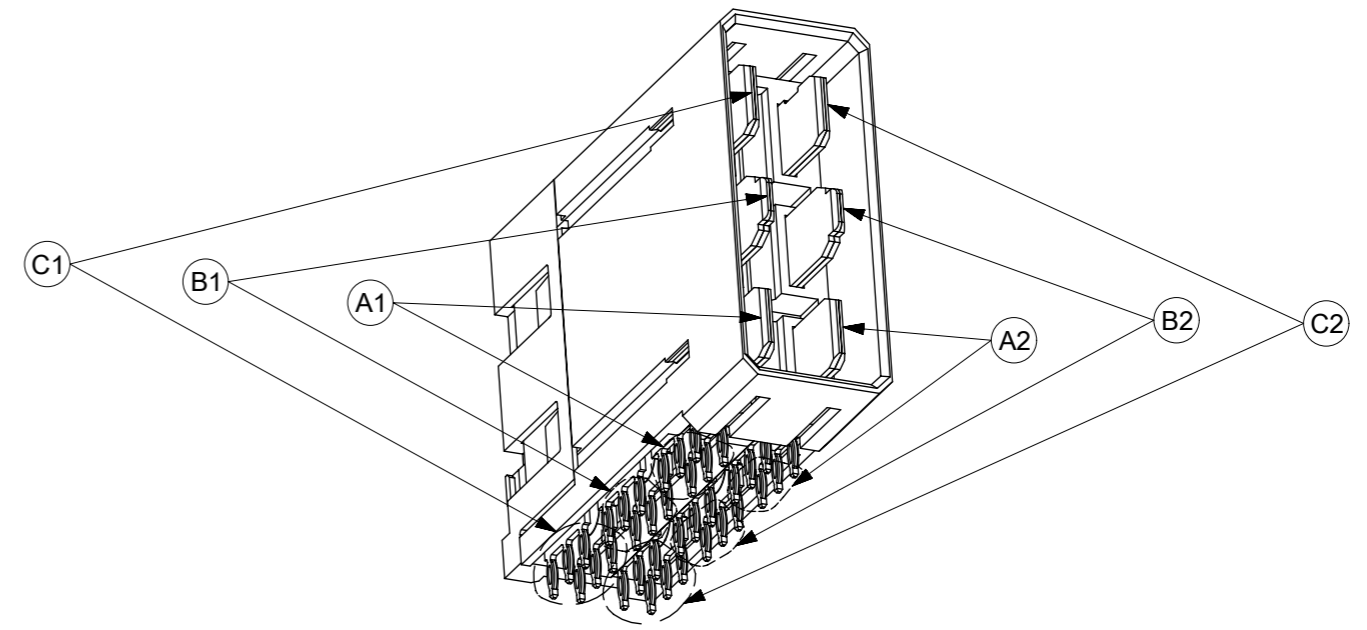


PCB LAYOUT HOLD DOWN RIGHT (COMPONENT SIDE SHOWN)

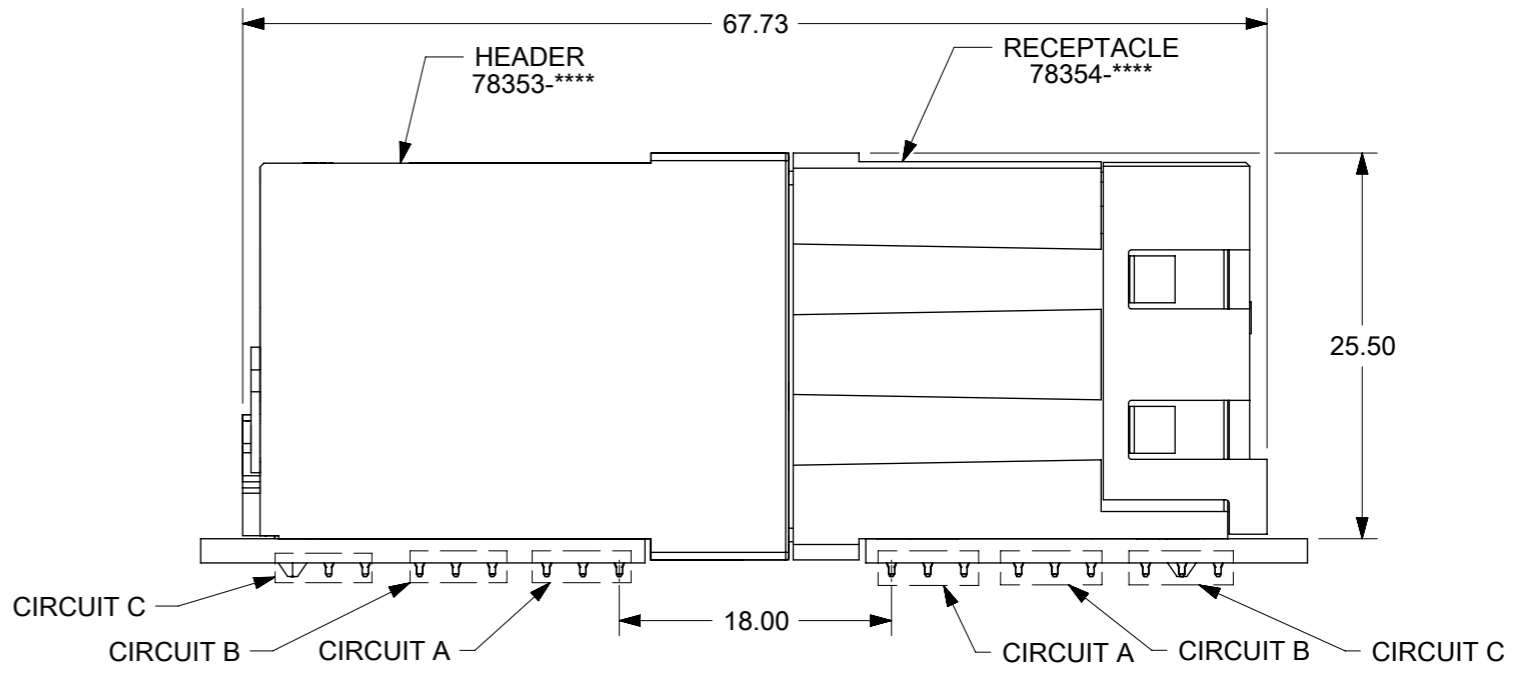
SYMBOLS		THIS DRAWING CONTAINS INFORMATION THAT IS PROPRIETARY TO MOLEX ELECTRONIC TECHNOLOGIES, LLC AND SHOULD NOT BE USED WITHOUT WRITTEN PERMISSION	
▽ = 0	DIMENSION UNITS	SCALE	CURRENT REV DESC: MIGRATION TO NX
▽ = 0	MM ONLY	NTS	
▽ = 0	GENERAL TOLERANCES (UNLESS SPECIFIED)		
▽ = 0	ANGULAR TOL	± 3.0°	
▽ = 0	4 PLACES	±	EC NO: 602221
▽ = 0	3 PLACES	±	DRWN: JSGOH01 2018/07/25
▽ = 0	2 PLACES	± 0.25	CHK'D: SHONG 2018/08/07
▽ = 0	1 PLACE	±	APPR: SHONG 2018/08/07
▽ = 0	0 PLACES	±	INITIAL REVISION:
▽ = 0	DRAFT WHERE APPLICABLE MUST REMAIN WITHIN DIMENSIONS	THIRD ANGLE PROJECTION	DRWN: LNG 2010/12/02
		DRAWING	APPR: KJKOH 2011/04/11
		SERIES	
		MATERIAL NUMBER	DOCUMENT NUMBER
		A3-SIZE	SD-78353-001
		78353	DOC TYPE
		SEE TABLE	PSD
		GENERAL MARKET	DOC PART
			001
			REVISION
			B5
			SHEET NUMBER
			3 OF 5



1 POWER MODULE REMOVED TO ILLUSTRATE CIRCUIT PATH OF MATED SYSTEM

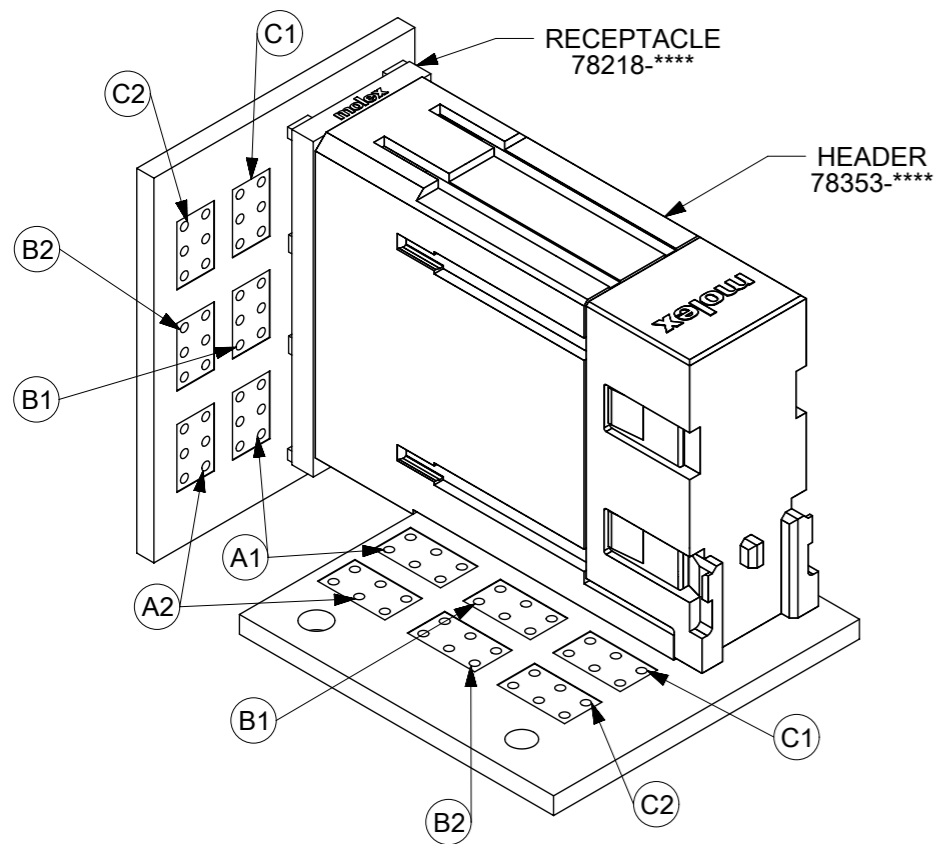


PIN NUMBER ASSIGNMENT BASED ON HEADER SIDE:
 A1, B1 ON THE LEFT
 A2, B2 ON THE RIGHT

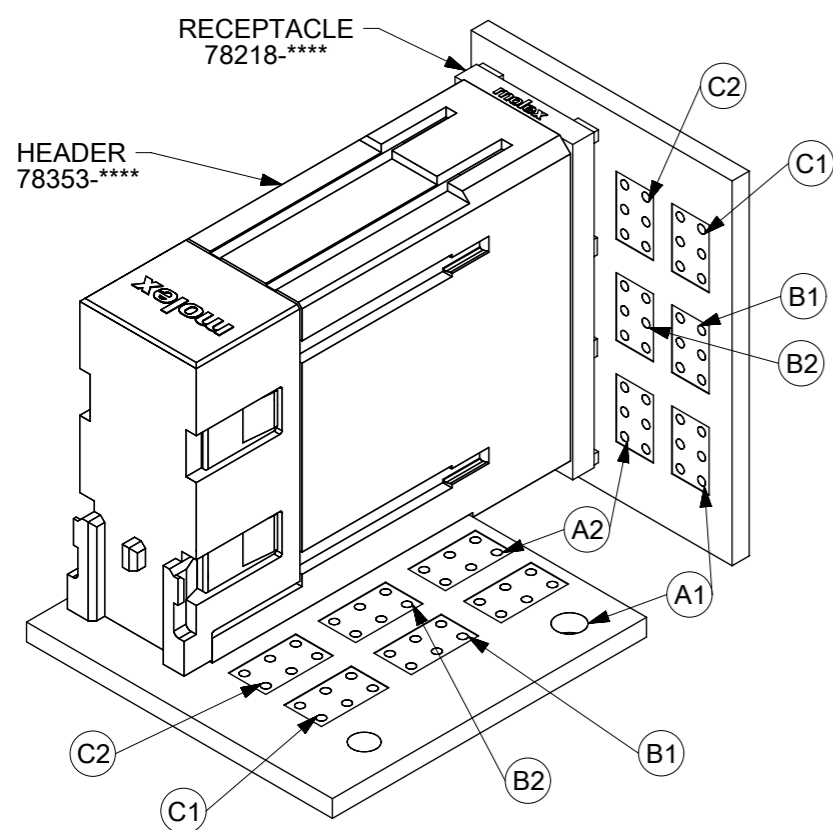


MATED SYSTEM OF 78353 & 78354

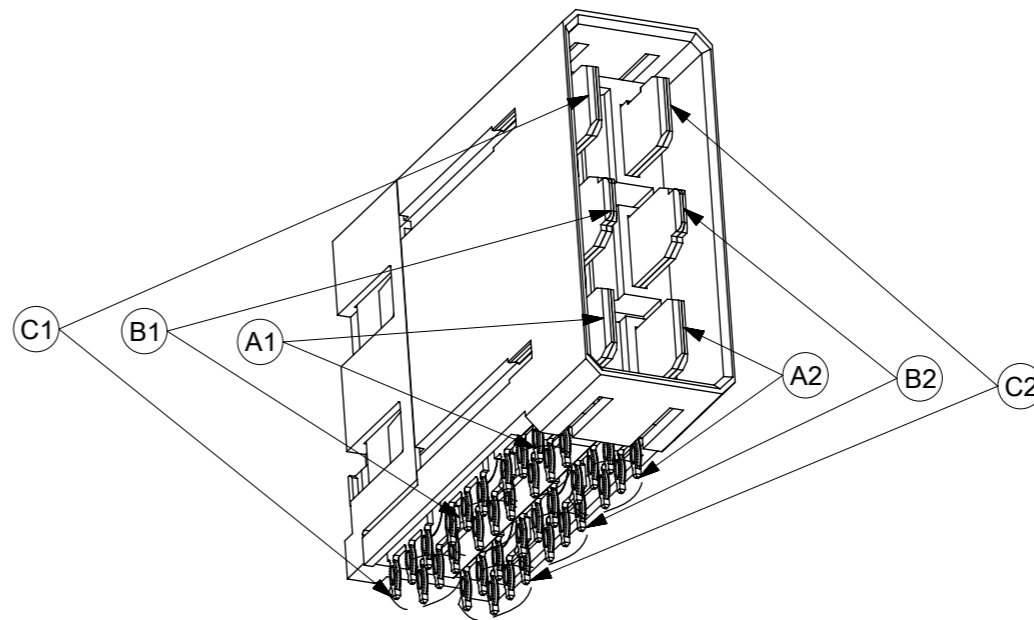
SYMBOLS DIMENSION UNITS: MM ONLY SCALE: NTS GENERAL TOLERANCES (UNLESS SPECIFIED): ANGULAR TOL: ± 3.0° 4 PLACES: ± 3 PLACES: ± 2 PLACES: ± 0.25 1 PLACE: ± 0 PLACES: ± DRAFT WHERE APPLICABLE MUST REMAIN WITHIN DIMENSIONS THIRD ANGLE PROJECTION:	THIS DRAWING CONTAINS INFORMATION THAT IS PROPRIETARY TO MOLEX ELECTRONIC TECHNOLOGIES, LLC AND SHOULD NOT BE USED WITHOUT WRITTEN PERMISSION CURRENT REV DESC: MIGRATION TO NX			
	EC NO: 602221 DRWN: JSGOH01 2018/07/25 CHK'D: SHONG 2018/08/07 APPR: SHONG 2018/08/07			
	INITIAL REVISION: DRWN: LNG 2010/12/02 APPR: KJKOH 2011/04/11		PRODUCT CUSTOMER DRAWING	
	DOCUMENT NUMBER: SD-78353-001 DOC TYPE: PSD DOC PART: 001 REVISION: B5		MATERIAL NUMBER: SEE TABLE CUSTOMER: GENERAL MARKET SHEET NUMBER: 4 OF 5	



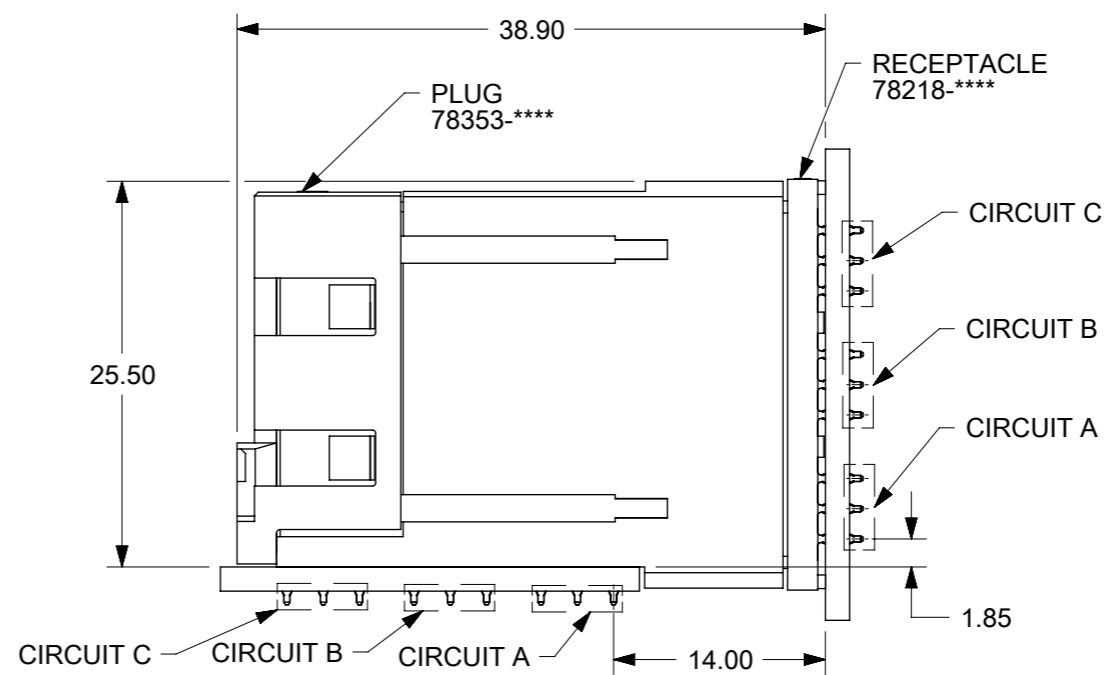
RIGHT HOLD DOWN:
1 POWER MODULE AND HOLD DOWN REMOVED TO
ILLUSTRATE CIRCUIT PATH OF MATED SYSTEM



LEFT HOLD DOWN:
1 POWER MODULE AND HOLD DOWN REMOVED TO
ILLUSTRATE CIRCUIT PATH OF MATED SYSTEM



PIN NUMBER ASSIGNMENT BASED ON HEADER SIDE:
A1, B1 ON THE LEFT
A2, B2 ON THE RIGHT



MATED SYSTEM OF 78218 & 78353

SYMBOLS		THIS DRAWING CONTAINS INFORMATION THAT IS PROPRIETARY TO MOLEX ELECTRONIC TECHNOLOGIES, LLC AND SHOULD NOT BE USED WITHOUT WRITTEN PERMISSION		CURRENT REV DESC: MIGRATION TO NX	
▽ = 0	DIMENSION UNITS	SCALE			
▽ = 0	MM ONLY	NTS			
▽ = 0	GENERAL TOLERANCES (UNLESS SPECIFIED)				
▽ = 0	ANGULAR TOL	± 3.0°			
▽ = 0	4 PLACES	±	EC NO: 602221		
▽ = 0	3 PLACES	±	DRWN: JSGOH01	2018/07/25	
▽ = 0	2 PLACES	± 0.25	CHK'D: SHONG	2018/08/07	
▽ = 0	1 PLACE	±	APPR: SHONG	2018/08/07	
▽ = 0	0 PLACES	±	INITIAL REVISION:		
▽ = 0	DRAFT WHERE APPLICABLE MUST REMAIN WITHIN DIMENSIONS		DRWN: LNG	2010/12/02	
▽ = 0			APPR: KJKOH	2011/04/11	
		THIRD ANGLE PROJECTION	DRAWING	SERIES	MATERIAL NUMBER
			A3-SIZE	78353	SEE TABLE
			CUSTOMER	GENERAL MARKET	
			DOCUMENT NUMBER	DOC TYPE	DOC PART
			SD-78353-001	PSD	001
			REVISION	B5	
			SHEET NUMBER	5 OF 5	