

PART NAME: KNOB

SCALE: 1:1

DATE: 2/1/08

DR. BY JAM

DAVIES MOLDING COMPANY
CAROL STREAM, ILLINOIS 60188

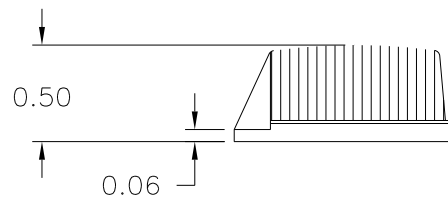
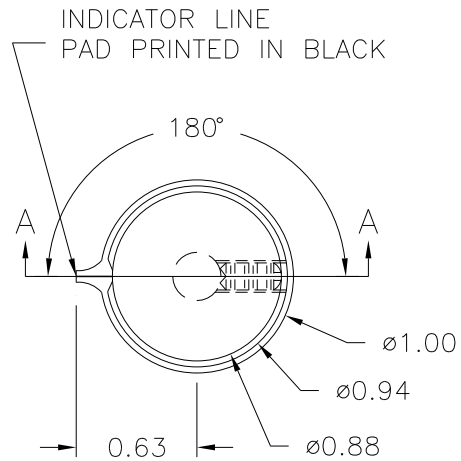
P/N 1470BC

BASE PART 1470-15

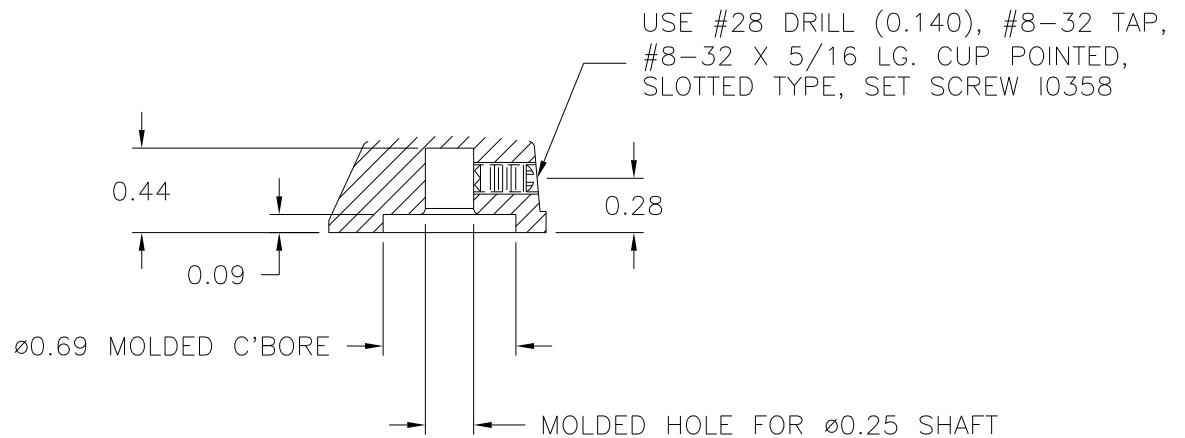
SET SCREW I0358

THIS DRAWING IS THE PROPERTY OF DAVIES MOLDING COMPANY, IS SUBMITTED SOLELY AS A DESIGN OR ENGINEERING PROJECT. WE ACCEPT NO RESPONSIBILITY WHATSOEVER FOR THE PRACTICAL APPLICATION OF THE PIECES MADE TO THIS DESIGN.

(A)



SECTION A-A



MATERIAL: MUP32 UREA FORMALDEHYDE (V32)
COLOR: IVORY

TOLERANCES: UNLESS OTHERWISE SPECIFIED	DO NOT SCALE DRAWING			
DECIMALS: X.XXX ± .005 X.XX ± .015	MM: X.XX ± 0.15MM X.X ± 0.4MM	A	ADDED BASE PART	JAM 4/22/14
FRACTIONS ± 1/64	ANG. ± 1°	-	WAS SK1470-07	JAM 2/1/08
CHANGES				