

**Telecom OC48 VCXO**

- 622.08 MHz Osc
- Low Phase Noise
- LVDS Output

**Applications**

- SDH / SONET
- Digital Switching
- Test Equipment
- Cellular Telephony
- Land Mobile Radio

Series **CV622V**



Part Numbering Example: CV622V Z

Specifications:	Min	Typ	Max	Unit
Frequency Range:		622.08		MHz
Available Stability Options:	-50		50	ppm
Supply Voltage:	3.135	3.3	3.465	V
Operating Temperature Range Options:	-10		85	°C
Storage Temperature:	-55		125	°C
Duty Cycle:	45		55	%
Start-Up Time:		3	10	mS
Aging (PPM/1st Year): Ta=25C, Vdd=3.3V			±5	
Static Discharge Voltage Mil-Std 883, method 3015	2000			V
Supply Current			80	mA
Short Circuit Current		± 50		mA
<b>Jitter</b> Period, RMS Period, Peak to Peak Accumulated, RMS Peak to Peak		4 25 7 45		pS pS pS pS
<b>Phase Noise</b> @1KHz Offset		-125		dBc/Hz
Vcon Modulation BW	25	0V ≤ Vcon ≤ 3.3V -3dB		KHz
Pull Range	-190		190	ppm
Linearity	5		10	%
Frequency Tuning Range		115		ppm/V

Output Level: LVDS  
Packaging: Tape & Reel

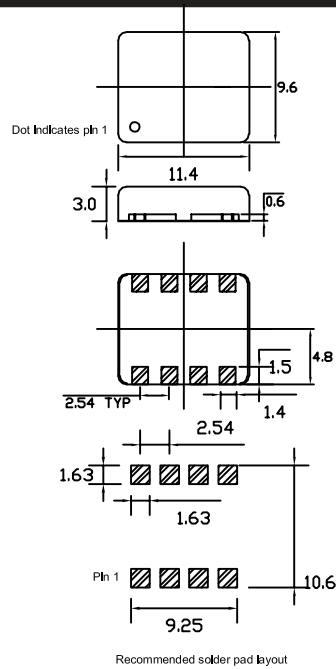
Notes: Extended exposure exceeding maximum ratings may cause permanent damage and affect reliability. Operation outside of specifications is not supported.

Cardinal Components, Inc., 155 Rt. 46 W, Wayne, NJ. 07470 TEL: (973)785-1333 FAX: (973)785-0053  
<http://www.cardinalxtal.com> E-Mail: [cardinal@cardinalxtal.com](mailto:cardinal@cardinalxtal.com)

Specifications subject to change without notice. Check website for latest updates



CV622V

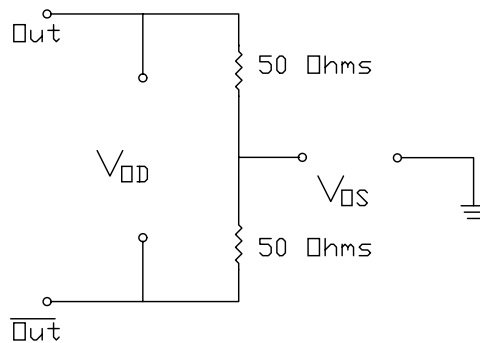


PIN	FUNCTION
1	OE
2	V <sub>CONTROL</sub>
3	N/C
4	GND
5	LVDS +
6	LVDS -
7	N/C
8	V <sub>DD</sub>

DIMENSIONS ARE IN MM

LEVELS TEST CIRCUIT

LVDS Levels Test Circuit



SWITCHING TEST CIRCUIT

LVDS Switching Test Circuit

