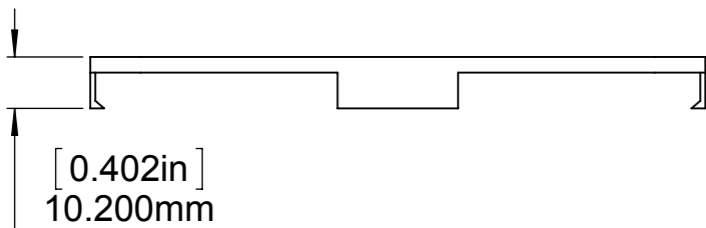
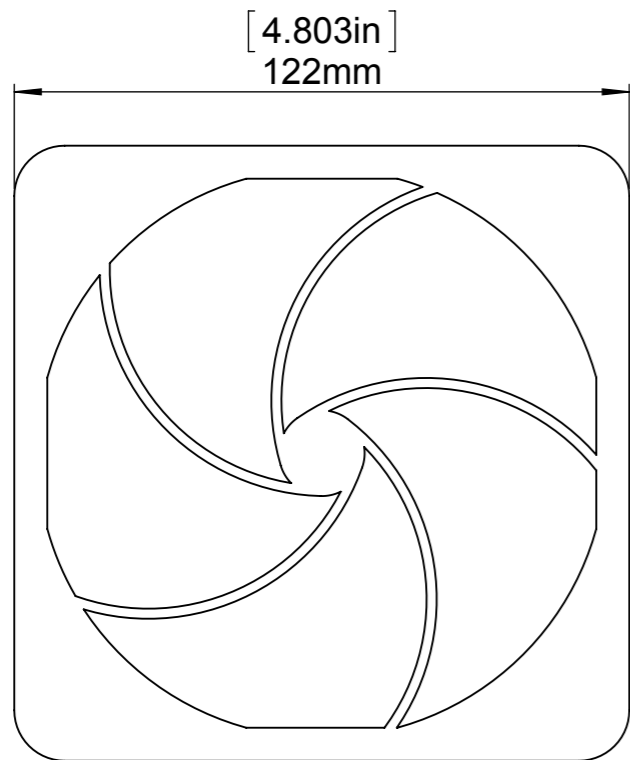
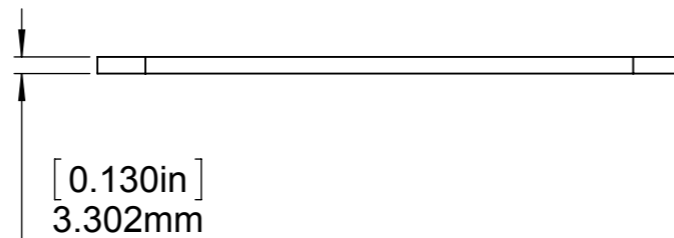
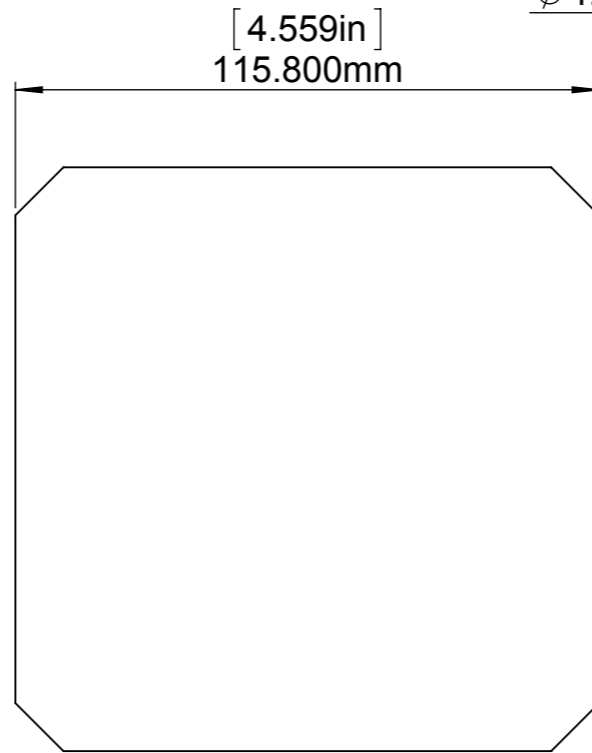


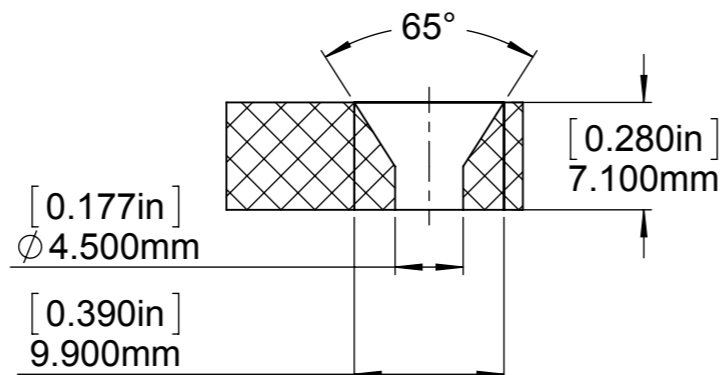
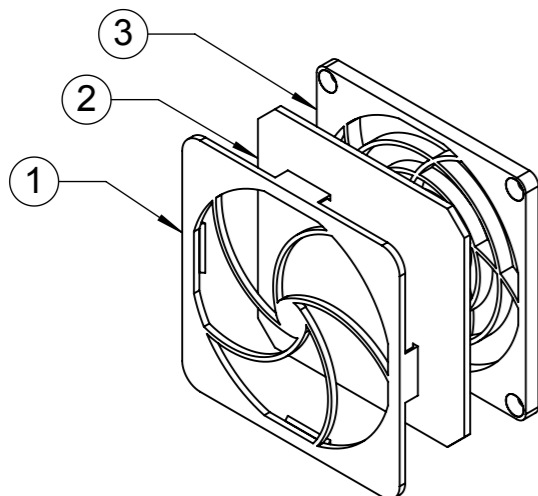
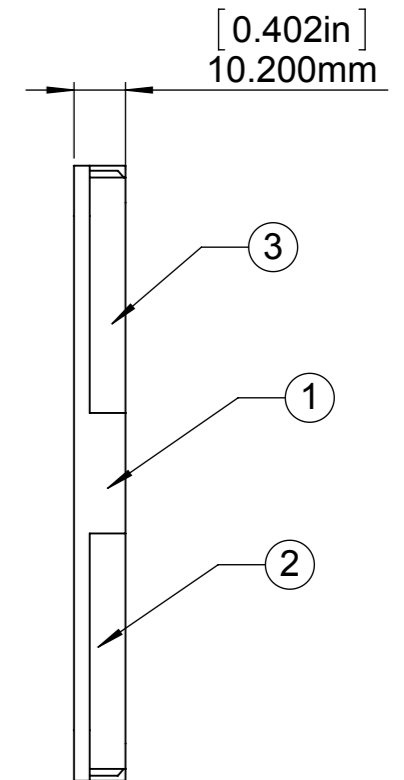
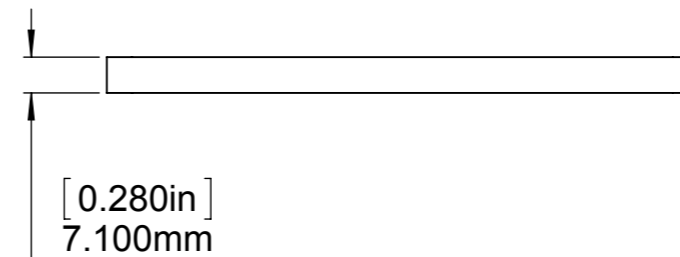
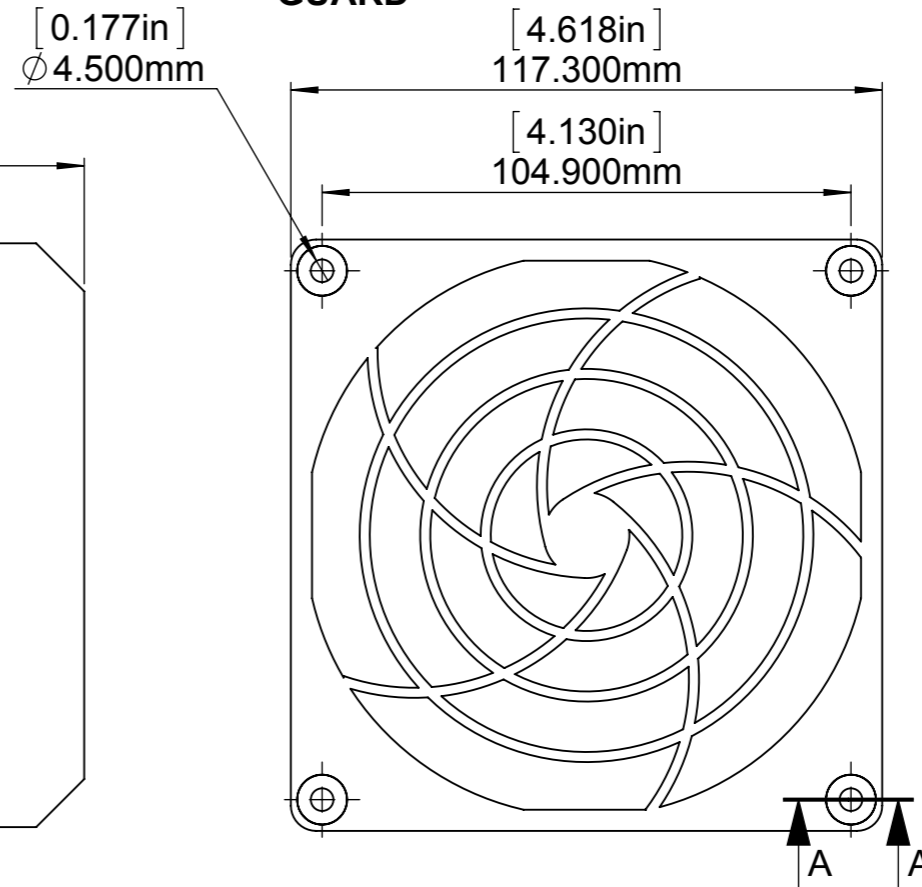
**RETAINER**



**FILTER**



**GUARD**



**SECTION A-A  
SCALE 2 : 1**

ITEM NO.	DESCRIPTION	MATERIAL	QTY.
1	RETAINER	Plastic UL94V-O	1
2	FILTER	Polyurethane Foam UL94HF-1 45PPI	1
3	GUARD	Plastic UL94V-O	1

NAME	SIGNATURE	DATE
DRAWN HI-TECH		
CHK'D		
APPV'D		
MFG		
Q.A		
THICKNESS: SEE PART DETAIL		
MATERIAL: SEE PART DETAIL		
WEIGHT: 101.077kg		SCALE: 1:1.5

**GARDTEC INC.**

PLASTIC FAN ASSEMBLY

ASSEMBLY NO. SC120-P15/45

A3  
SHEET 1 OF 1

THIS DRAWING IS THE PROPERTY OF GARDTEC INC AND IS NOT TO BE PRODUCED FOR OR COMMUNICATED TO ANY THIRD PARTY WITHOUT SPECIFIC WRITTEN APPROVAL OF AN OFFICER OF GARDTEC INC.