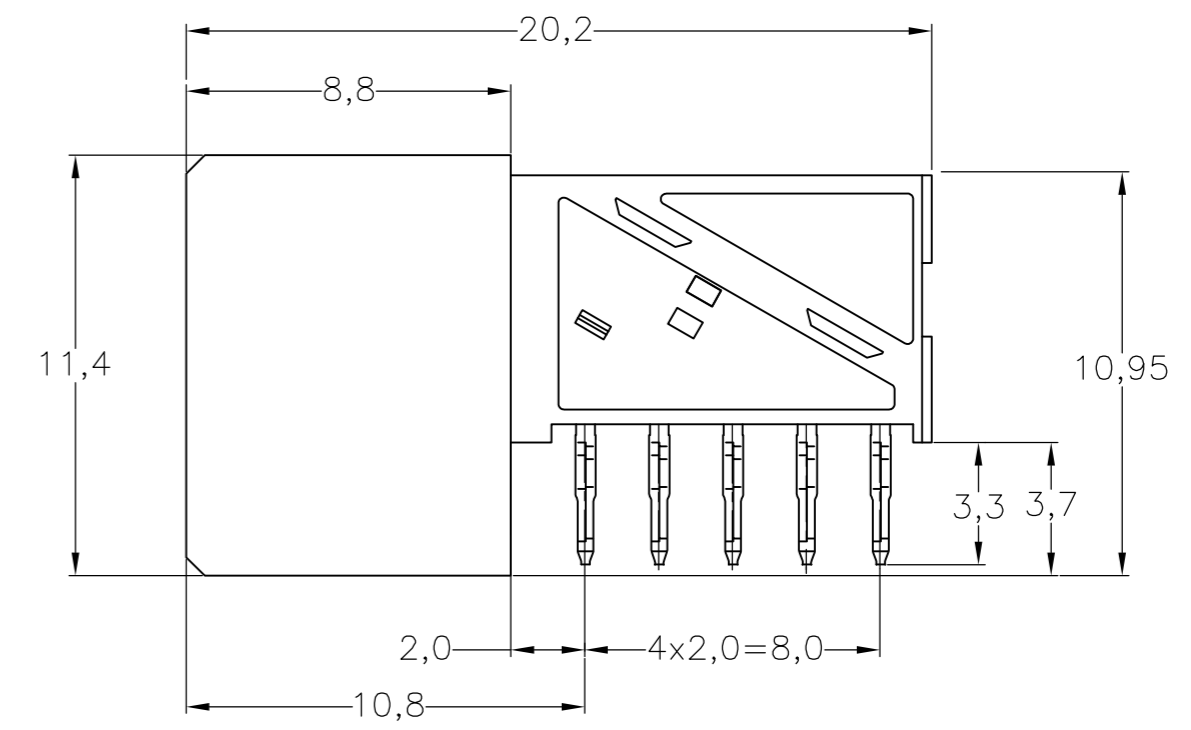
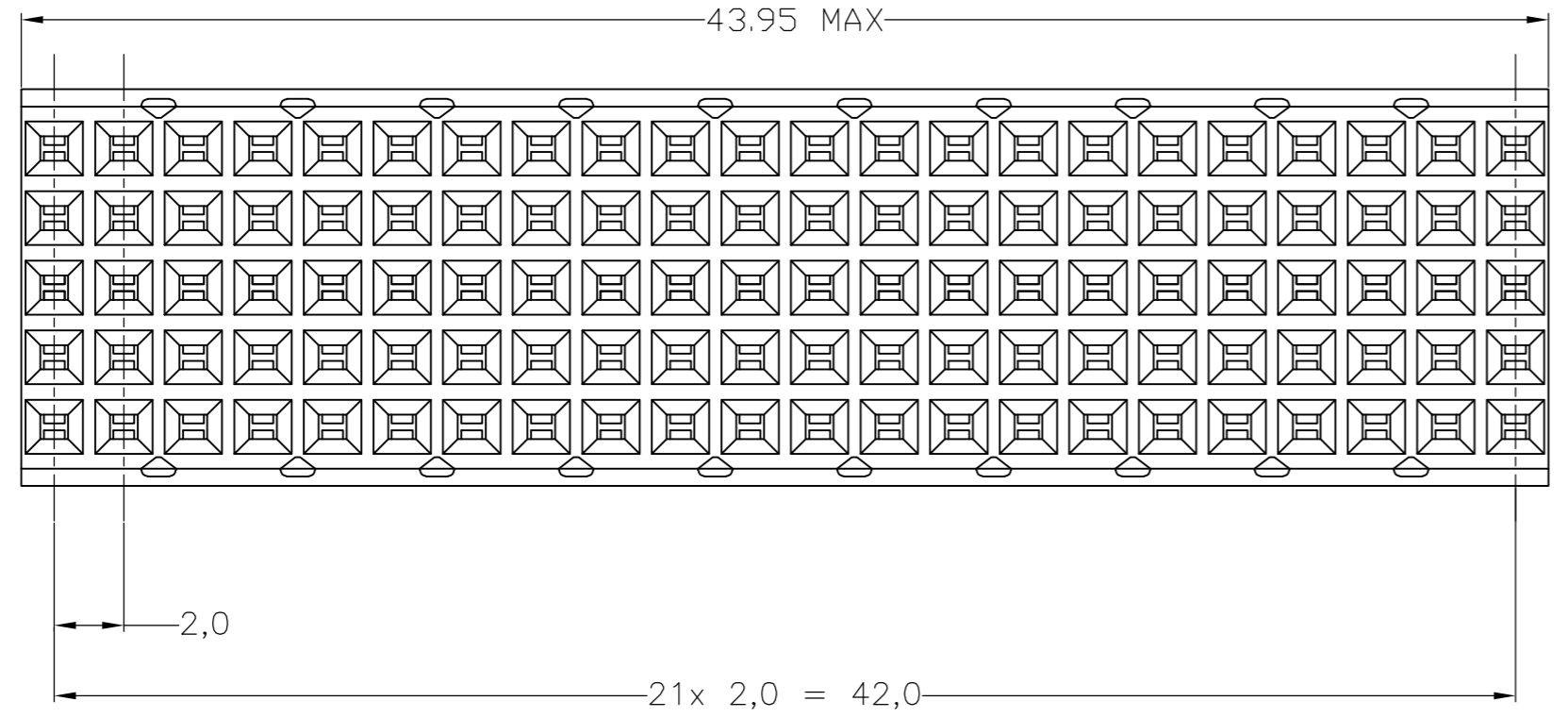
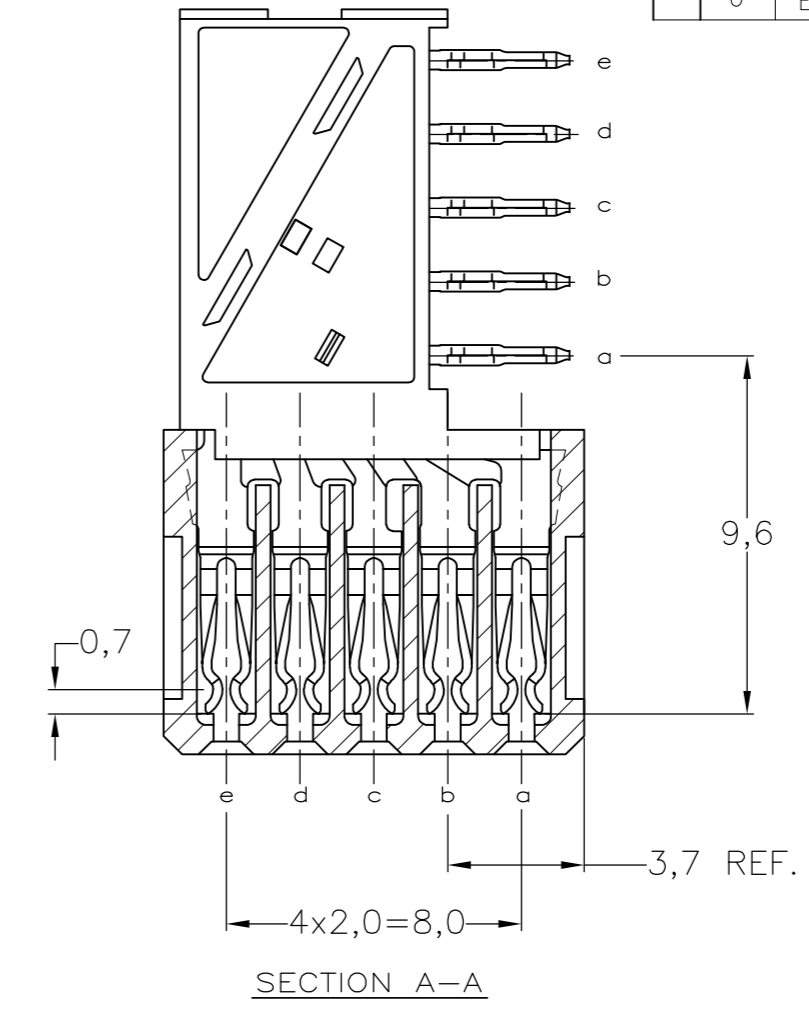
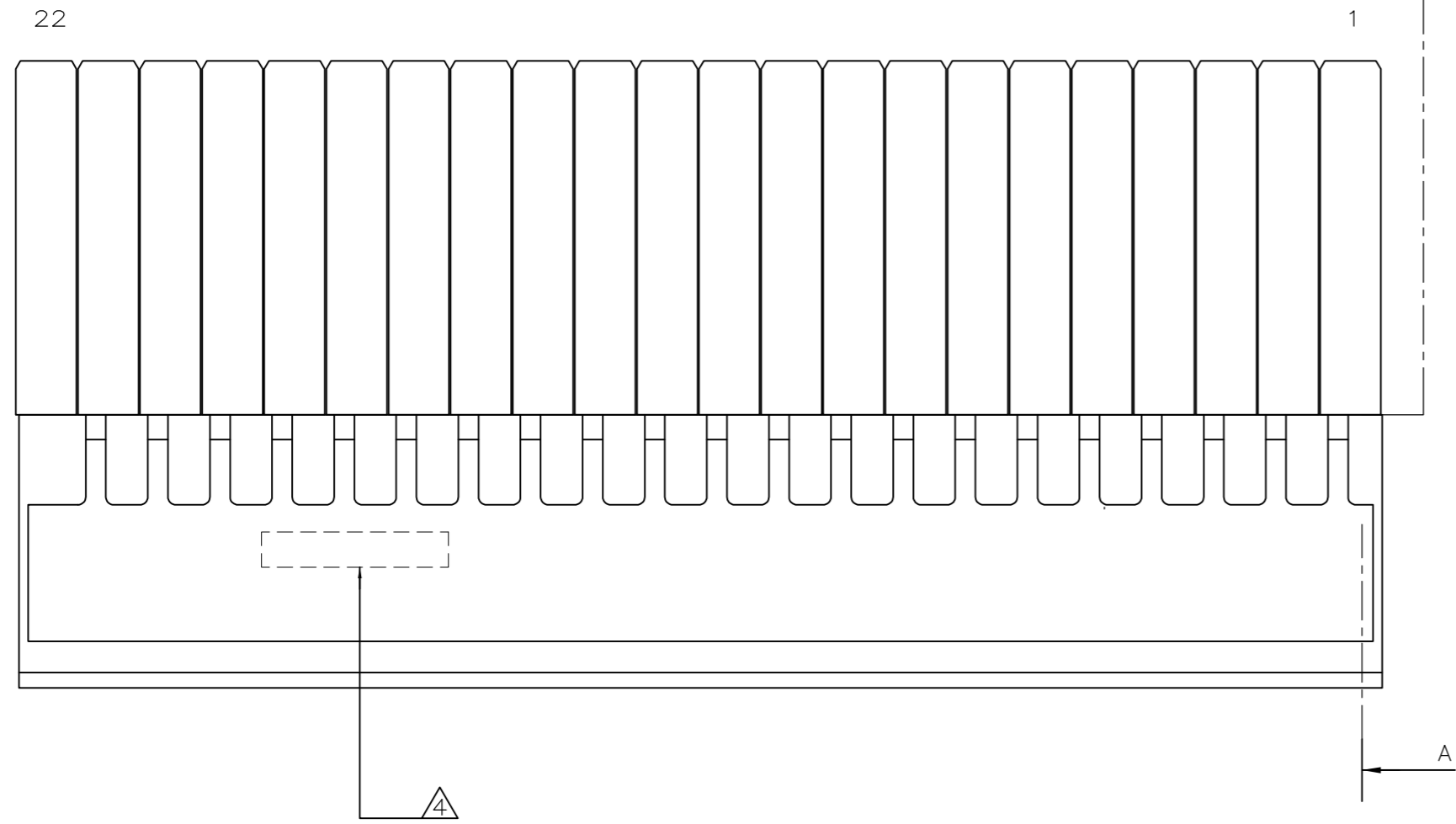
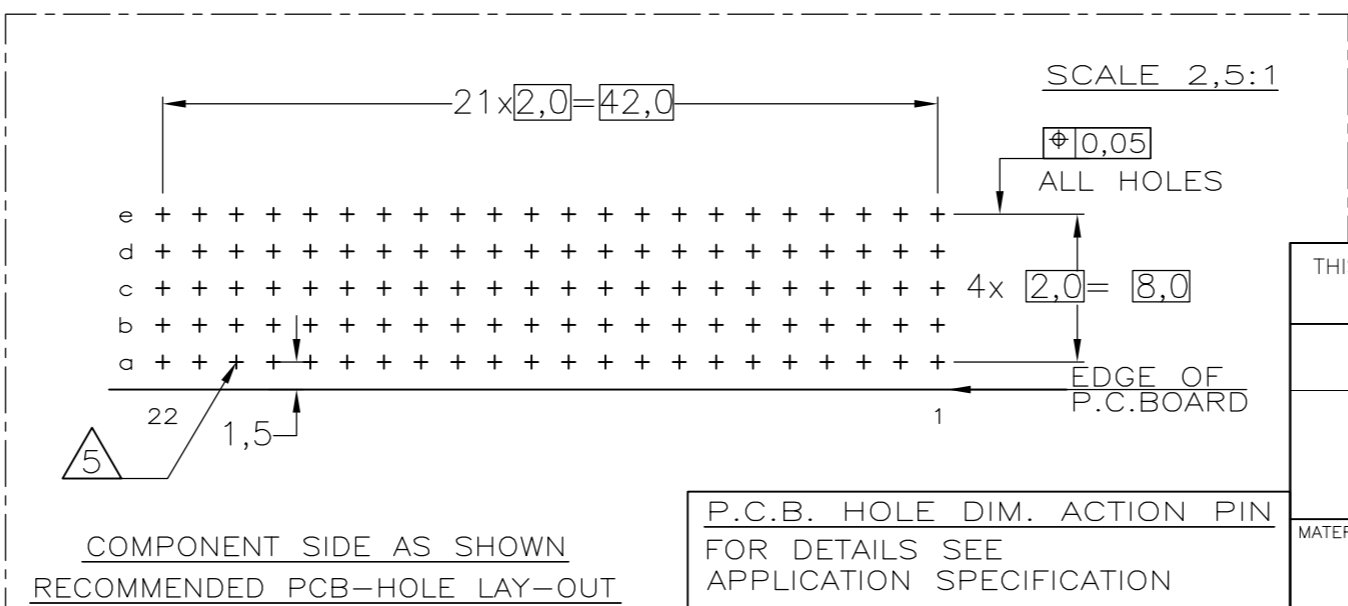


LOC		DIST		REVISIONS			
P	LTR	DESCRIPTION	DATE	DWN	APVD		
	G	REVISE PER ECO-10-018803	14SEP2010	LC	CW		
	H	ECO-12-003005	22FEB12	SY	MQW		
	J	ECR-12-009867	25NOV12	SY	AC		



- NOTES:
- ① MATERIAL CONTACT; PHOSPHORBRONZE
MATERIAL HOUSING; GLASSFILLED POLYESTER (GRAY)
UL-RATING 94V0.
 - ② GENERAL PLATING SPECIFICATION: UNDERPLATING (ENTIRE CONTACT):
1,27µm NICKEL MIN. AND ACTION PIN: 0,5µm TIN-LEAD MIN.
FOR PLATING OF MATING SURFACES SEE APPLICABLE SPECIFICATION
REFERENCE FOR EACH DASH NUMBER.
 - ③ CONFORMS TO ALL TESTING ACCORDING IEC 61076-4-101
PERFORMANCE LEVEL 2.
 - ④ CONNECTOR PRINTED WITH PARTNUMBER AND DATECODE
 - ⑤ PLATED-THROUGH HOLES AT 2x2mm SQUARE GRID. 110 HOLES
 - ⑥ FITS WITH INTEGRATED GROUND RETURN UPSHIELD
BASIC P.N. 352151
 - ⑦ CONNECTOR TESTED AND QUALIFIED AGAINST TELCORDIA
GR-1217-CORE QUALITY LEVEL III, CENTRAL OFFICE APPLICATIONS.
 - ⑧ 0,76µm MIN GOLD PLATING AT MATING SURFACES.



	②③⑧	①	3-188836-0
OBSOLETE	②③	①	188836-9
OBSOLETE	②③	①	188836-1
	FINISH	MATERIAL	PARTNUMBER

THIS DRAWING IS A CONTROLLED DOCUMENT.

DIMENSIONS: MM	TOLERANCES UNLESS OTHERWISE SPECIFIED:	DWN E.MÖHLMANN 11FEB97	Tyco Electronics Corporation s--HertogenBosch, Netherlands,
0 PLC ± 0.2 1 PLC ± 0.2 2 PLC ± 0.2 3 PLC ± 0.2 4 PLC ± - ANGLES ± -	FINISH	CHK W.V.D.HEIJDEN	
MATERIAL		APVD F.V.KONINGSBRUGGE	NAME
		PRODUCT SPEC 108-19082	Z-PACK 2MM HM
		APPLICATION SPEC 114-19029	110 POS. FEMALE DAUGHTER CARD CONN. (22 COLUMNS)
		WEIGHT	SIZE A2
		CUSTOMER DRAWING	CAGE CODE 00779
			DRAWING NO. 188836
			RESTRICTED TO
			SCALE NTS
			SHEET 1 of 1
			REV J