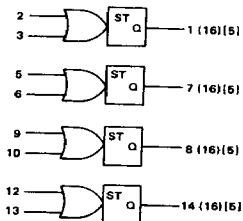


QUAD SCHMITT
TRIGGER

PLASTIC MRTL MC700P/800P series

MC9709P • MC9809P

The MC9709P/9809P device consists of four Schmitt Triggers in a single 14-pin dual in-line plastic package. It provides a square-wave output from a slow-rise-time input with 650 mV internal hysteresis.



$$t_r = t_f = 20 \text{ ns typ}$$

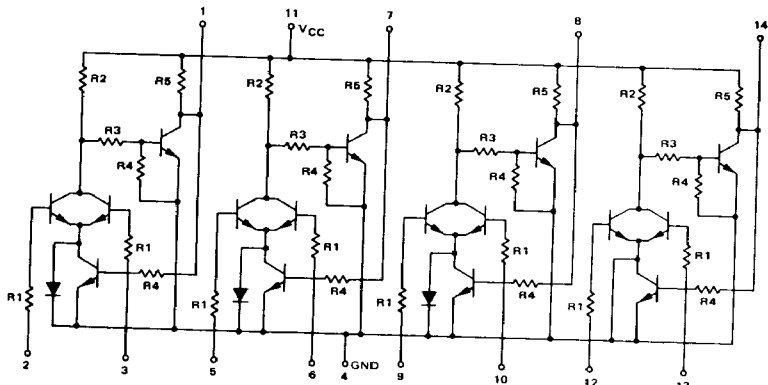
$$\text{Avg. } t_{pd} = 30 \text{ ns typ, Avg. } = \frac{t_{on} + t_{off}}{2}$$

$$f = 18 \text{ MHz typ}$$

$$P_D = 95 \text{ mW typ}$$

Upper Trigger Voltage = 1.40 V typ
Lower Trigger Voltage = 0.75 V typ

Number in Parenthesis Indicates mW MRTL Loading Factor.
Number in Brackets Indicates MRTL Loading Factor.

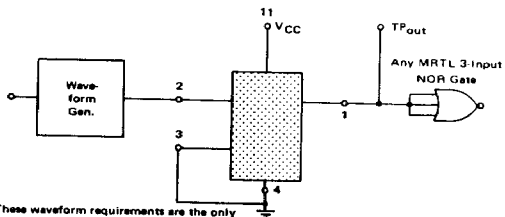


TYPICAL RESISTANCE VALUES

R1 = 450 Ω R4 = 1.5 k
R2 = 2.0 k R5 = 640 Ω
R3 = 500 Ω

MC9709P, MC9809P (continued)

SWITCHING TIMES TEST CIRCUIT AND WAVEFORMS



These waveform requirements are the only restrictions for test.

$f \geq 60$ Hz

$PA^* = 2.0$ V *Do not exceed ± 4.0 volts.

