

THIS DRAWING IS UNPUBLISHED.

RELEASED FOR PUBLICATION

2011

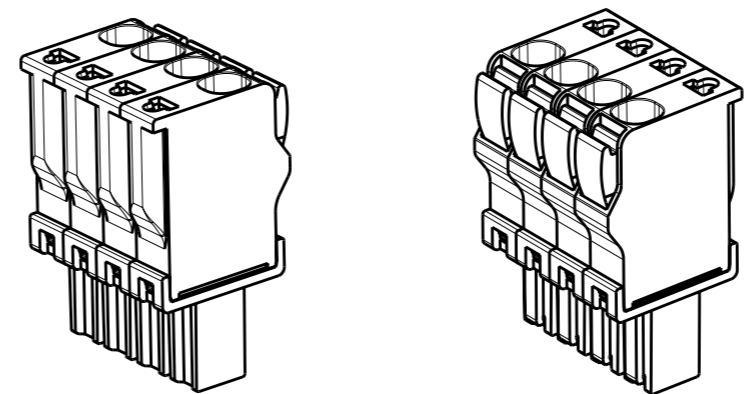
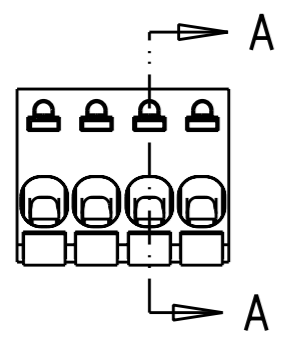
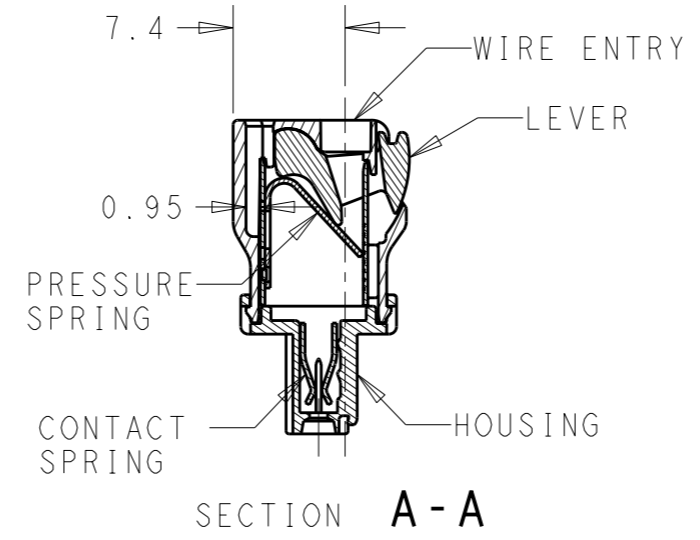
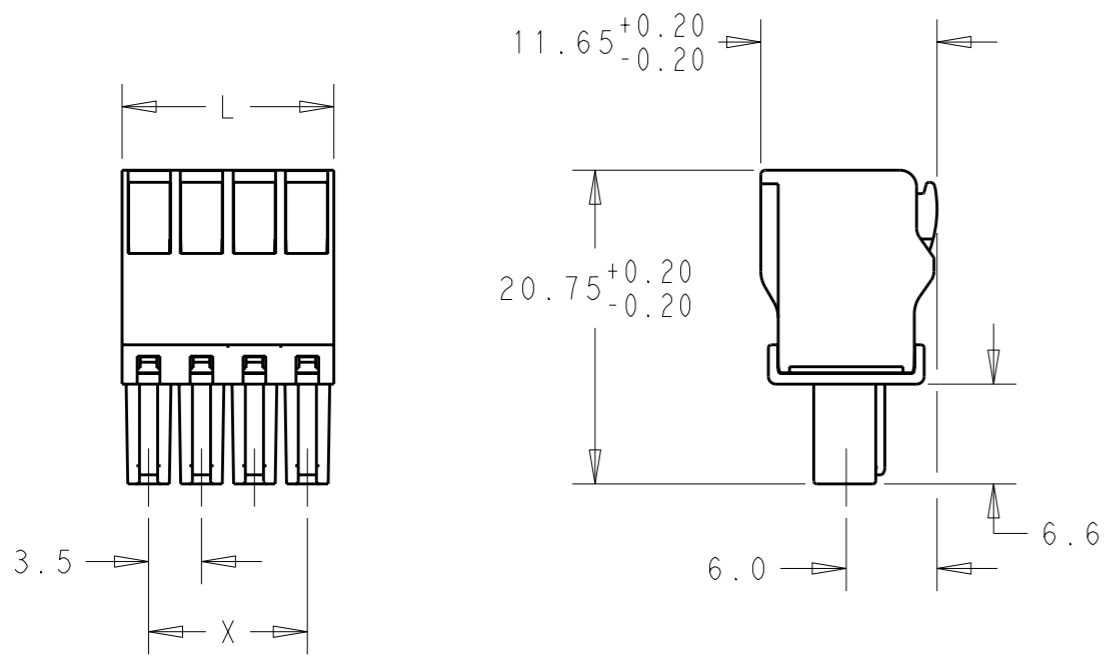
© COPYRIGHT 2011

ALL RIGHTS RESERVED.

LOC AI DIST -

REVISIONS

| P | LTR | DESCRIPTION | DATE | DWN | APVD |
|---|-----|---------------------------|---------|-----|------|
| | A | REVISED PER ECO-12-002880 | 14FEB12 | KH | MS |



| | | | |
|-------|-------|------|-------------|
| 84.00 | 87.50 | 25 | 2-1986692-5 |
| 80.50 | 84.00 | 24 | 2-1986692-4 |
| 77.00 | 80.50 | 23 | 2-1986692-3 |
| 73.50 | 77.00 | 22 | 2-1986692-2 |
| 70.00 | 73.50 | 21 | 2-1986692-1 |
| 66.50 | 70.00 | 20 | 2-1986692-0 |
| 63.00 | 66.50 | 19 | 1-1986692-9 |
| 59.50 | 63.00 | 18 | 1-1986692-8 |
| 56.00 | 59.50 | 17 | 1-1986692-7 |
| 52.50 | 56.00 | 16 | 1-1986692-6 |
| 49.00 | 52.50 | 15 | 1-1986692-5 |
| 45.50 | 49.00 | 14 | 1-1986692-4 |
| 42.00 | 45.50 | 13 | 1-1986692-3 |
| 38.50 | 42.00 | 12 | 1-1986692-2 |
| 35.00 | 38.50 | 11 | 1-1986692-1 |
| 31.50 | 35.00 | 10 | 1-1986692-0 |
| 28.00 | 31.50 | 9 | 1986692-9 |
| 24.50 | 28.00 | 8 | 1986692-8 |
| 21.00 | 24.50 | 7 | 1986692-7 |
| 17.50 | 21.00 | 6 | 1986692-6 |
| 14.00 | 17.50 | 5 | 1986692-5 |
| 10.50 | 14.00 | 4 | 1986692-4 |
| 7.00 | 10.50 | 3 | 1986692-3 |
| 3.50 | 7.00 | 2 | 1986692-2 |
| DIM X | DIM L | POLE | PART NUMBER |

MATERIALS
HOUSING-POLYAMIDE, COLOR-GREEN
LEVER-POLYAMIDE, COLOR ORANGE
CONTACT SPRING-COPPER ALLOY-LEAD FREE TIN PLATED
CLAMPING SPRING-STEEL

MECHANICAL
INSERTION FORCE PER POLE- 3 NEWTON MAX
WITHDRAWAL FORCE PER POLE- 1.5 NEWTON MIN
STRIPPING LENGTH- 10.5 TO 11.5 MM
OPERATING TEMPERATURE--40°C TO +110°C

ELECTRICAL
WIRE SIZE= 30 TO 14 AWG SOLID OR STRANDED
VOLTAGE RATING- 300 VOLTS
CURRENT RATING- 11 AMP STRANDED; 9AMP SOLID
CONTACT RESISTANCE-15 MILLOHM MAX
INSULATION RESISTANCE-10⁹ OHMS MIN (500V DC)

| | | | | | | | | | | | | | | | | |
|---|-------|-------------------------------|---|----------------------|-------|-------|-------|-------|----|-------|----|--------|-----|--------------|----------------------|--|
| THIS DRAWING IS A CONTROLLED DOCUMENT. | | DWN 12JAN2012 KIRAN HOLAL | TE Connectivity | | | | | | | | | | | | | |
| DIMENSIONS: mm | | CHK 12JAN2012 MIKE SARVER | | | | | | | | | | | | | | |
| TOLERANCES UNLESS OTHERWISE SPECIFIED: | | APVD 12JAN2012 MIKE SARVER | NAME STRAIGHT SPRING TYPE PLUG CONNECTOR | | | | | | | | | | | | | |
| <table border="0"> <tr><td>0 PLC</td><td>±-</td></tr> <tr><td>1 PLC</td><td>±0.40</td></tr> <tr><td>2 PLC</td><td>±0.20</td></tr> <tr><td>3 PLC</td><td>±-</td></tr> <tr><td>4 PLC</td><td>±-</td></tr> <tr><td>ANGLES</td><td>±1°</td></tr> </table> | | 0 PLC | ±- | 1 PLC | ±0.40 | 2 PLC | ±0.20 | 3 PLC | ±- | 4 PLC | ±- | ANGLES | ±1° | PRODUCT SPEC | SIDE STACKABLE RIGHT | |
| 0 PLC | ±- | | | | | | | | | | | | | | | |
| 1 PLC | ±0.40 | | | | | | | | | | | | | | | |
| 2 PLC | ±0.20 | | | | | | | | | | | | | | | |
| 3 PLC | ±- | | | | | | | | | | | | | | | |
| 4 PLC | ±- | | | | | | | | | | | | | | | |
| ANGLES | ±1° | | | | | | | | | | | | | | | |
| MATERIAL - FINISH - | | APPLICATION SPEC | 02 - 25 POLES PITCH 3.50mm | | | | | | | | | | | | | |
| | | WEIGHT - | SIZE A3 | RESTRICTED TO - | | | | | | | | | | | | |
| | | CUSTOMER DRAWING | CAGE CODE 00779 | DRAWING NO C-1986692 | | | | | | | | | | | | |
| | | | SCALE 2:1 | SHEET 1 OF 1 REV A | | | | | | | | | | | | |