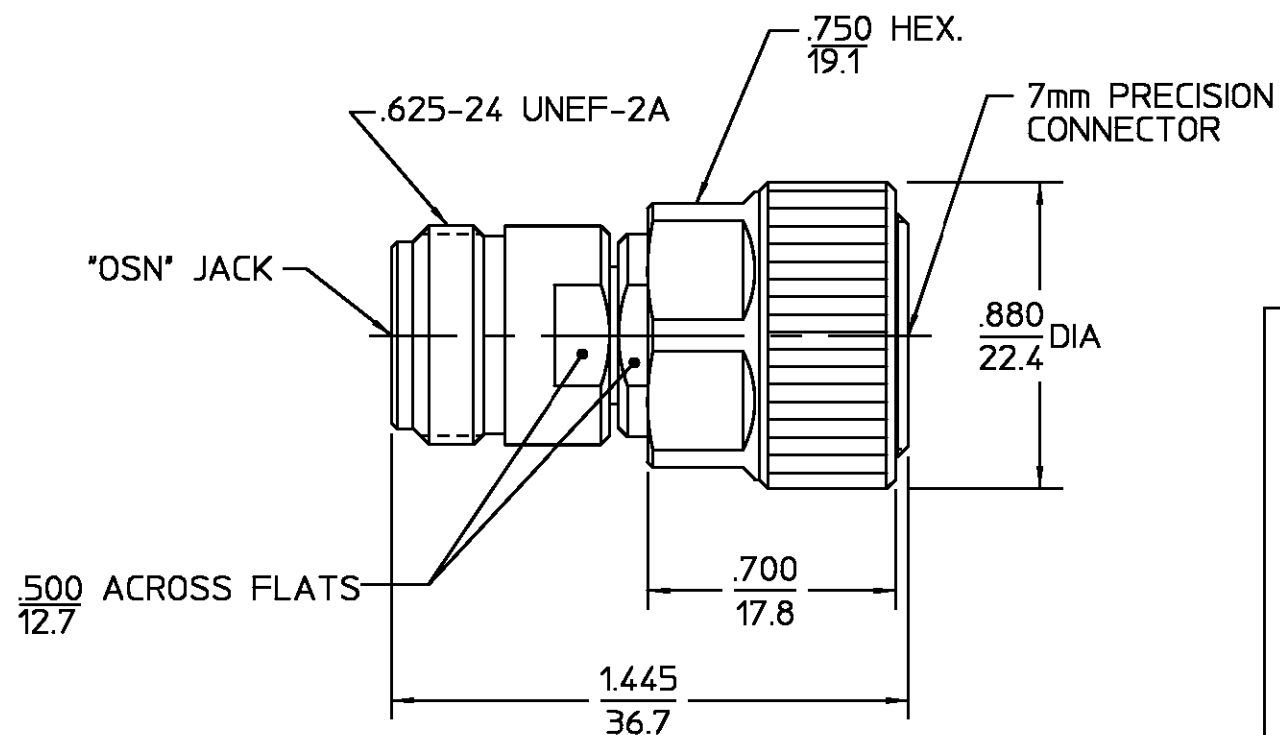


REVISIONS			
REV	DESCRIPTION	DATE	APPROVED
03 ₁	REVISED	12/16/95 7/17/96	<i>RAC</i>
B	PER EC 0U20-0116-01-03	16NOV01	<i>C. Hoang</i> 16NOV01



SLIDE ASS'Y COUPLING NUT	STAINLESS STEEL PER ASTM-A484 AND ASTM- A582, TYPE 303	ELECTRO-POLISHED
HOUSING	STAINLESS STEEL PER ASTM-A484 AND ASTM- A582, TYPE 303	GOLD PLATE PER MIL-G-45204
HOUSING	STAINLESS STEEL PER ASTM-A484 AND ASTM- A582, TYPE 303	PASSIVATE PER QQ-P-35
DIELECTRIC	TFE FLUOROCARBON PER ASTM-D-1457	N/A
CONTACT EXT.	BERYLLIUM COPPER PER ASTM-B-196 OR ASTM-B-197, ALLOY C17300, CONDITION H	GOLD PLATE PER MIL-G-45204
GASKET	SILICONE RUBBER PER ZZ-R-765	N/A
RETAINING RING	BERYLLIUM COPPER PER ASTMB 194, ALLOY C17200, CONDITION H	N/A
CENTER CONTACT	BRASS PER ASTM-B-16, HALF HARD	GOLD PLATE PER MIL-G-45204
COMPONENT	MATERIAL	FINISH

UNLESS OTHERWISE SPECIFIED DIMENSIONS ARE IN INCHES		DRAWN BY D.CAM		DATE 7/14/78		AMP AMP Incorporated 140 Fourth Avenue Waltham, MA 02451-7599			
FRAC. DEC. ANGLES ± 1/64 ±.005 ± 1°		CHECKED BY KWW		7/20/78					
		APPD BY RMF		7/25/78					
These drawings and specifications are the property of M/A COM Interconnect Div. and shall not be reproduced or copied or used in whole or in part as the basis for the manufacture or sale of item(s) without written permission.				USE ASSY PROCEDURE		TITLE 7MM PRECISION ADAPTER "OSN" JACK			
				NO. A.P. N/A		SIZE B	CODE IDENT NO. 26805	7082-5004-00	REV 03 ₁
						SCALE 2:1		SHEET 1 OF 1	

NOTES:

1. CAPTURED CENTER CONTACT
2. FREQUENCY: DC-18.0 GHz
3. VSWR (MAX): 1.008 +.002f GHz

.XXX = in
XX.X = mm