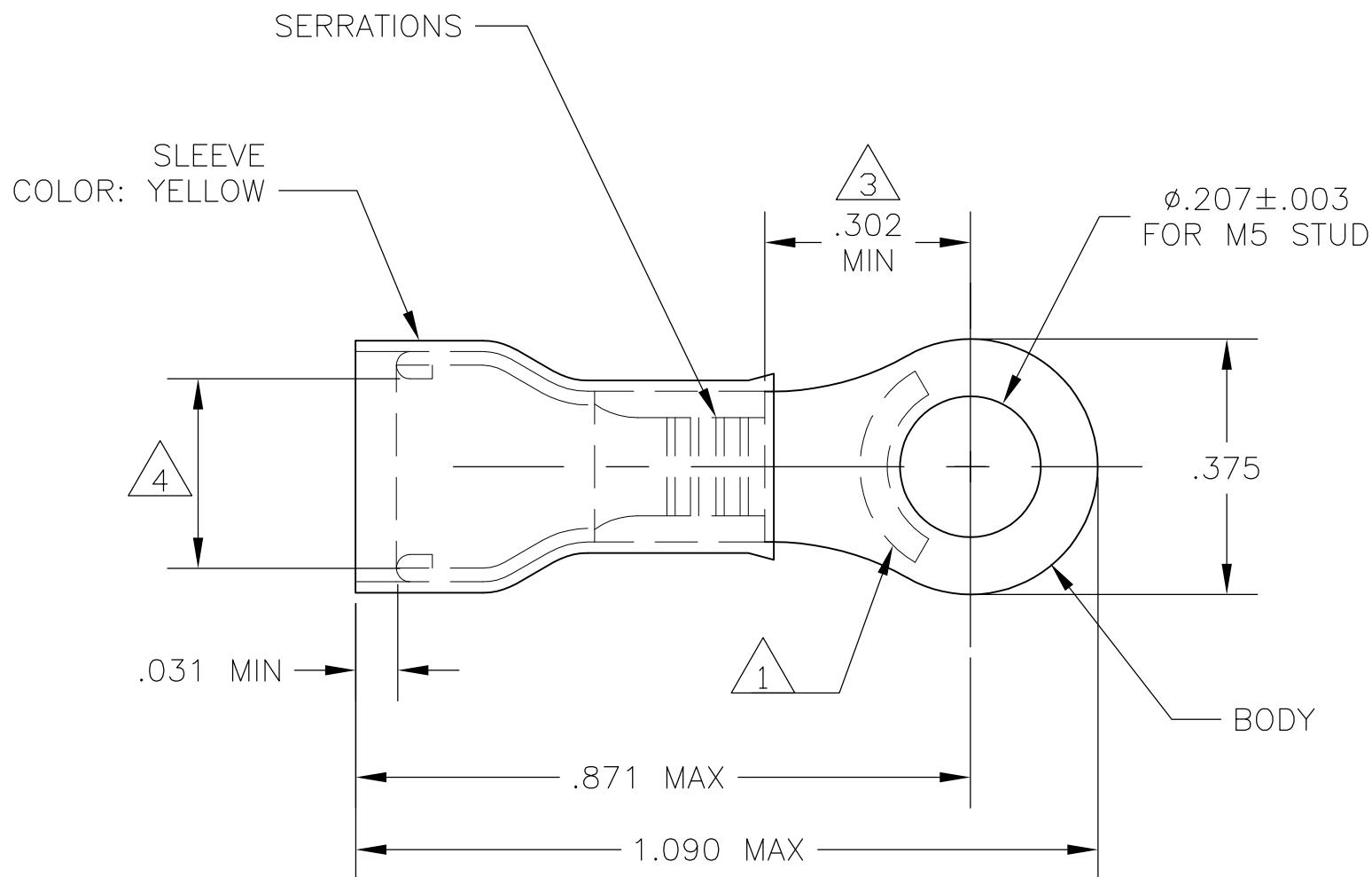


THIS DRAWING IS UNPUBLISHED. RELEASED FOR PUBLICATION  
 © COPYRIGHT - BY TYCO ELECTRONICS CORPORATION. ALL RIGHTS RESERVED.

LOC	DIST	REVISIONS					
G	14	P	LTR	DESCRIPTION	DATE	DWN	APVD
		A2		REV PER ECR 07-015095	25JUN07	JR	TM



- 1 STAMP "AMP 12-10\*", LOCATION APPROX AS SHOWN.
- 2 TONGUE THICKNESS IS  $.039 \pm .002$
- 3 APPLIES TO EDGE OF METAL WIRE BARREL TO CENTER OF STUD HOLE.
- 4 WIRE INSULATION DIA RANGE  $.150-.230$
- 5 BODY - COPPER PER ASTM B-152  
SLEEVE - COPPER PER ASTM B-152  
INSULATION - NYLON
- 6 BODY - TIN PL PER ASTM B-545  
SLEEVE - TIN PL PER ASTM B-545  
INSULATION - COLOR - YELLOW
- 7 105°C MAX OPERATING TEMPERATURE.
- 8 300 VOLT MAX
- 9 2.62-6.64mm<sup>2</sup> [5,180 - 13,100 CMA]  
SOLID OR STRANDED

500	LOOSE PIECE	130167
QTY	PACKAGE TYPE	PART NO

THIS DRAWING IS A CONTROLLED DOCUMENT.		DWN jr_ruth 21JUN06	Tyco Electronics Corporation Harrisburg, PA 17105-3608	
DIMENSIONS: INCHES	TOLERANCES UNLESS OTHERWISE SPECIFIED:	CHK T MICHELUTTI 21JUN06	NAME TERMINAL RING TONGUE, PIDG, WIRE SIZE 12-10	
	0 PLC ± - 1 PLC ± - 2 PLC ± - 3 PLC ± .008 4 PLC ± - ANGLES ± 5°	APVD T MICHELUTTI 21JUN06	PRODUCT SPEC -	
MATERIAL	FINISH	APPLICATION SPEC -	SIZE A3	CAGE CODE 00779
5	6	WEIGHT -	DRAWING NO G-130167	RESTRICTED TO -
CUSTOMER DRAWING			SCALE 4:1	SHEET 1 OF 1
			REV A2	