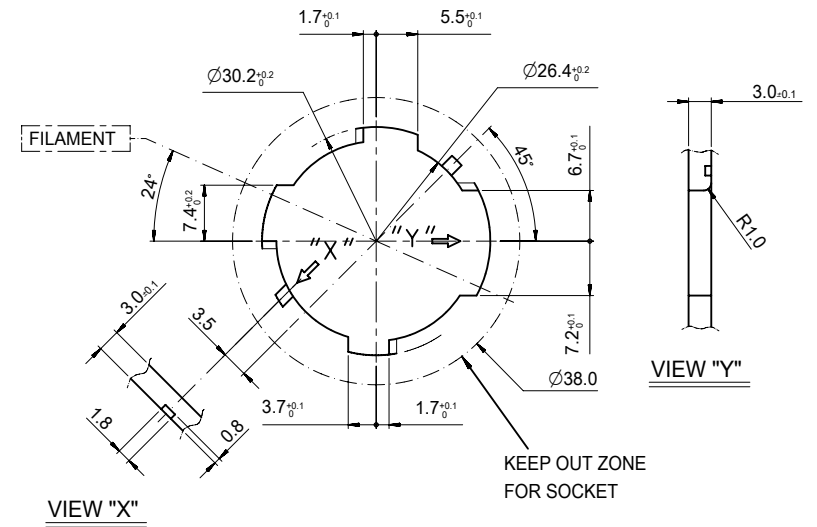
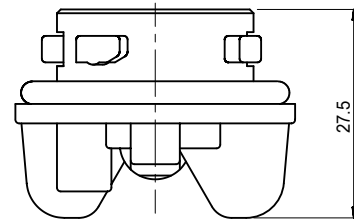
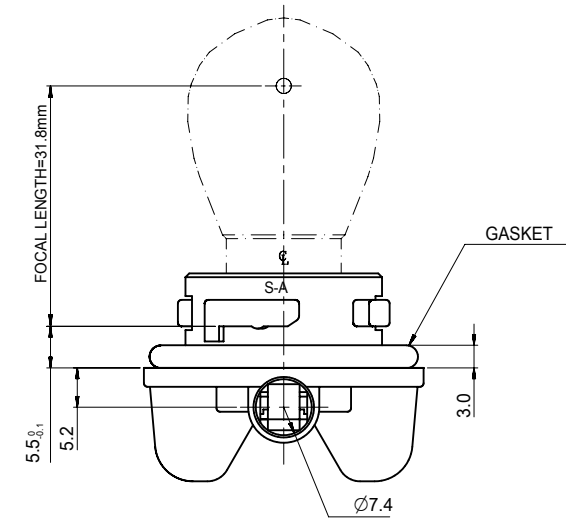
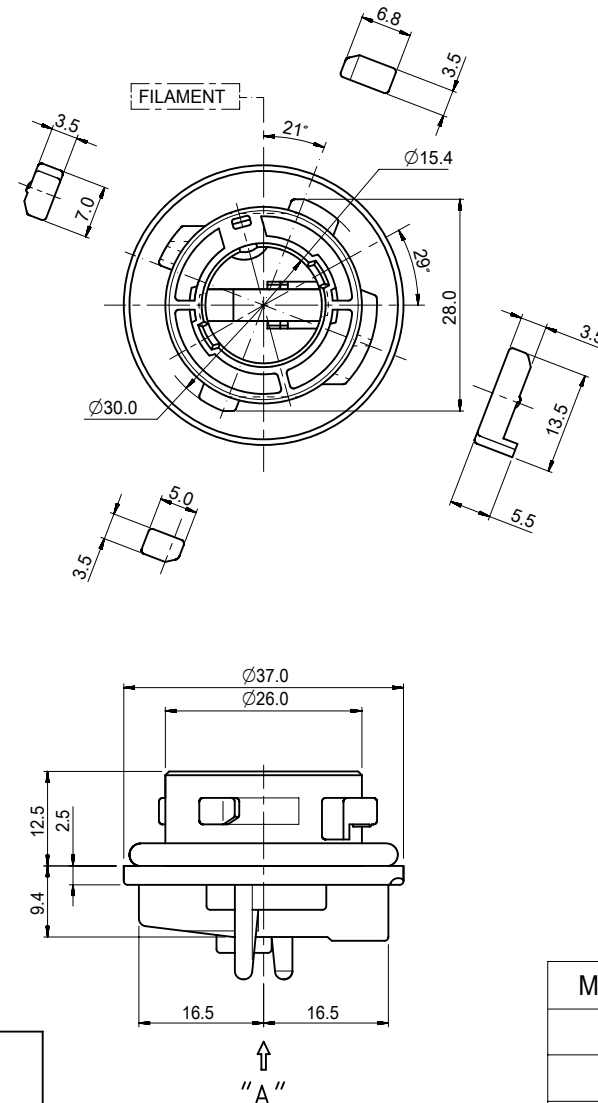
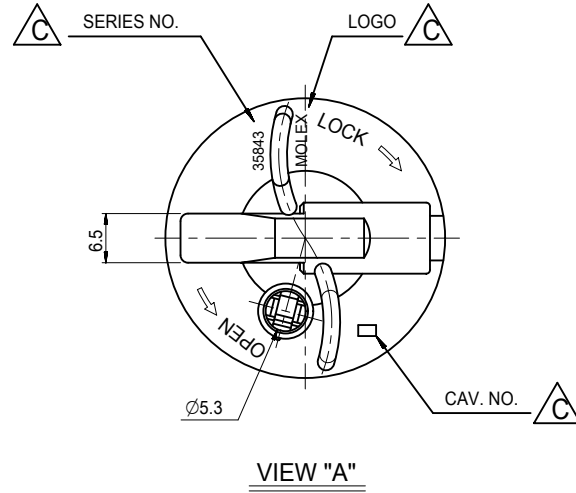


- NOTES
1. FOCAL LENGTH = 31.8mm
  2. PRODUCT SPECIFICATION: PS-35842-001
  3. APPLICABLE BULB CAP: P21W(BA15s)
  4. MATES WITH

NO.	DESCRIPTION	MATERIAL	ORDER NO.	REMARK
③	POSITIVE TERMINAL	PHOSPHOR BRONZE	35464-8000	UNPLATED
④	POSITIVE WIRE SEAL	SILICONE	35903-0096	BROWN
⑤	EARTH TERMINAL	PHOSPHOR BRONZE	35465-8000	UNPLATED
⑥	EARTH WIRE SEAL	SILICONE	35903-0106	BLUE

<PART LIST>

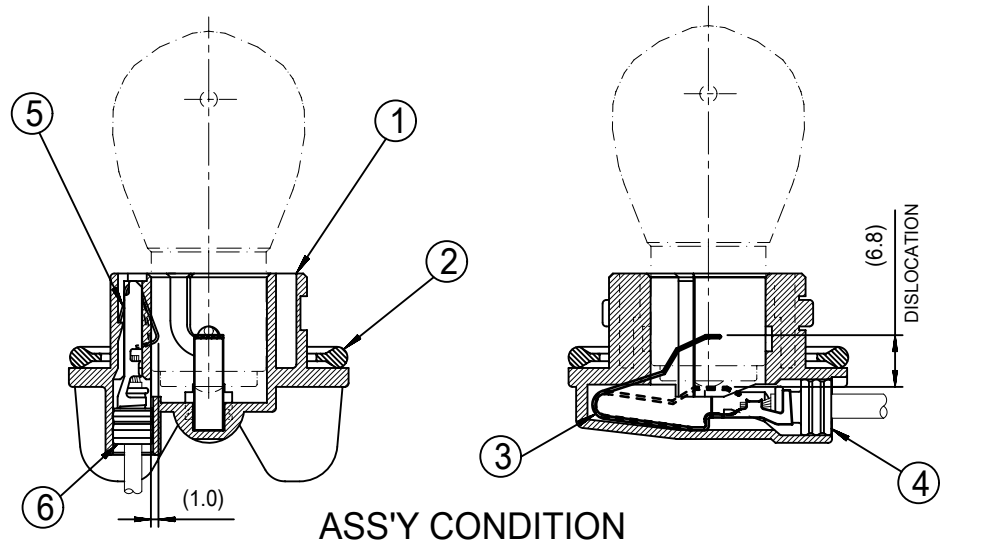
NO.	DESCRIPTION	MATERIAL	USAGE	REMARK
①	SINGLE SOCKET	PA66 M/F	1	A TYPE
②	SEAL GASKET	SILICONE	1	BLUE



<TABLE 1>

MATERIAL NO.	ORDER NO.	COLOR
358432206	35843-2206	WHITE
358432205	35843-2205	GRAY
358432201	35843-2201	BLACK

**MOUNTING INTERFACE (MI-1)**



QUALITY SYMBOLS	THIS DRAWING CONTAINS INFORMATION THAT IS PROPRIETARY TO MOLEX ELECTRONIC TECHNOLOGIES, LLC AND SHOULD NOT BE USED WITHOUT WRITTEN PERMISSION			
	EC NO: 607528 DRWN: SAKIM CHKD: JHJANG APPR: JHJANG	2018/11/13 2018/11/14 2018/11/14	GENERAL TOLERANCES (UNLESS SPECIFIED) ANGULAR TOL ± 2.0 ° 4 PLACES ± 3 PLACES ± 2 PLACES ± 0.15 1 PLACE ± 0.25 0 PLACES ± DRAFT WHERE APPLICABLE MUST REMAIN WITHIN DIMENSIONS	DIMENSION UNITS: mm SCALE: 1:1 DRWN BY: EOKIM DATE: 2007/12/10 CHK'D BY: BCYOON DATE: 2007/12/10 APPR BY: YUNSIKKIM DATE: 2007/12/10 DRAWING SIZE: B THIRD ANGLE PROJECTION
<b>molex®</b>				
SEALED BULB SOCKET SINGLE ASS'Y-A TYPE (SILICONE GASKET TYPE)				
PRODUCT CUSTOMER DRAWING				
SERIES: 35843		MATERIAL NUMBER: [ ]		
CUSTOMER: GENERAL MARKET		CUSTOMER: [ ]		
DOCUMENT NUMBER: SD-35843-220		DOC TYPE: PSD		
DOC PART: 001		SHEET NUMBER: 1 OF 1		