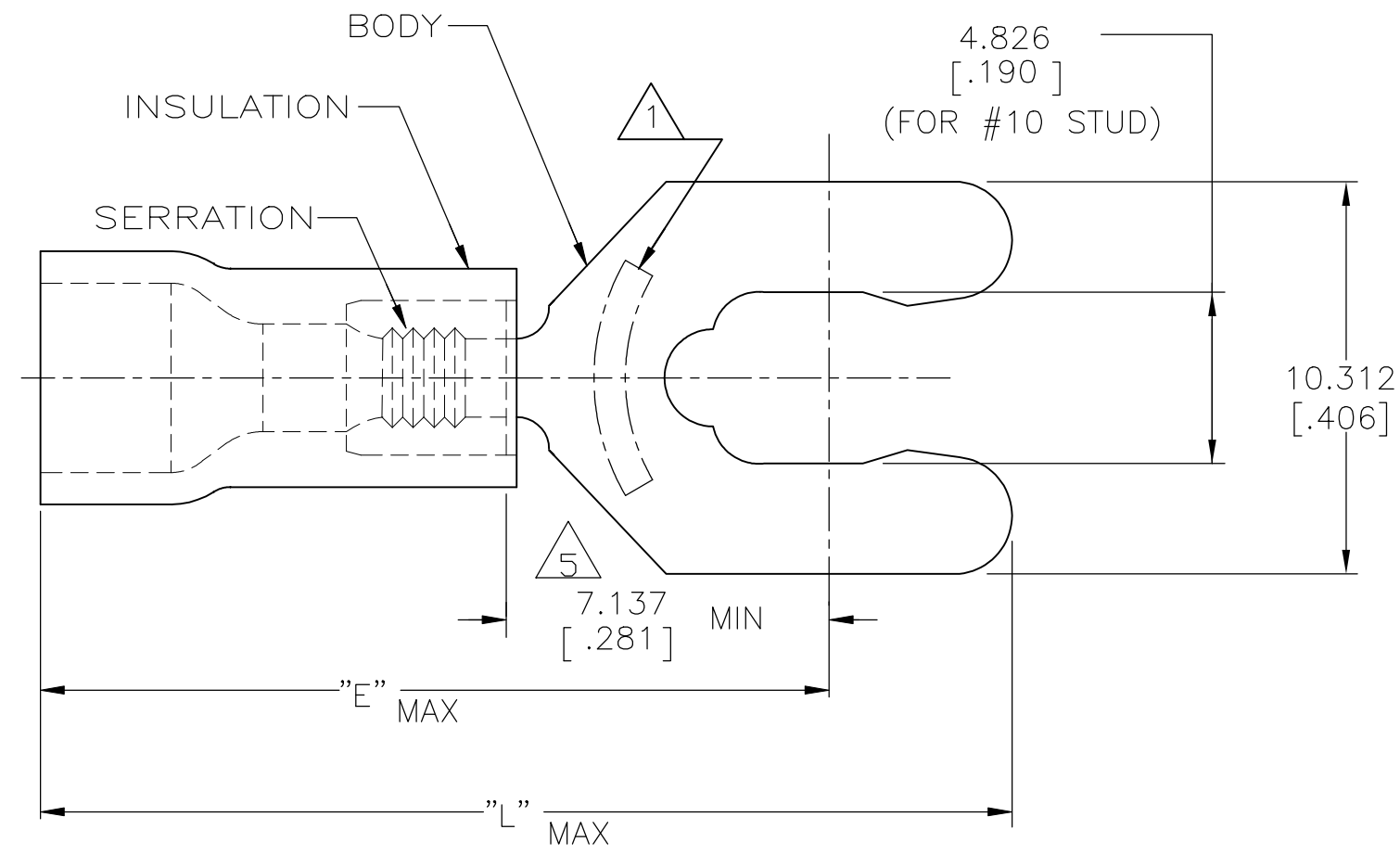


THIS DRAWING IS UNPUBLISHED. RELEASED FOR PUBLICATION
 © COPYRIGHT - By - ALL RIGHTS RESERVED.

REVISIONS					
P	LTR	DESCRIPTION	DATE	DWN	APVD
	P1	REVISED PER ECO-11-004917	11MAR11	RK	HMR
	P2	REVISED PER ECO-17-014338	29MAR2018	RS	DR

AMP WIRE RANGE	Listed FILE E13288	LR7189 Certified
22-16 AWG SOLID OR STRANDED	22-16 AWG SOLID OR STRANDED	22-16 AWG SOLID OR STRANDED



- 1 STAMP 10S AMP 22-18* APPROX AS SHOWN
22-16 TERMINALS ARE STAMPED 22-18 IN
ACCORDANCE WITH MILITARY SPEC SAE AS7928
COMMERCIAL WIRE RANGE IS 22-16
- 2 SEE TABLE FOR WIRE INSUL DIA
- 3 BODY MATL THK, 0.787±.051 [.031±.002]
- 4 MATERIAL: BODY - BRASS PER ASTM B36
INSULATION - PVC
- 5 APPLIES FROM CENTER OF STUD HOLE TO
EDGE OF METAL WIRE BARREL

24.613 [.969]	18.948 [.746]	3.810-5.080 [.150-.200]	2500	ON TAPE, REEL	52951-3
23.368 [.920]	17.704 [.697]	2.667-3.556 [.105-.140]	5000	ON TAPE, REEL	52951-1
23.368 [.920]	17.704 [.697]	2.667-3.556 [.105-.140]	1000	LOOSE PIECE	52951
L	E	WIRE INSUL DIA	QTY	PACKAGE TYPE	PART NO

AMP INCORPORATED CUSTOMER SERVICE SYSTEMS		MAX RECOMMENDED OPERATING TEMPERATURE: 105°C [221°F]	THIS DRAWING IS A CONTROLLED DOCUMENT.		DWN L OLMEDA 26JUN95	TE Connectivity Ltd.
FOR ADDITIONAL PRODUCT INFORMATION OR COPIES OF DRAWINGS AND TECHNICAL DOCUMENTS	PRODUCT INFORMATION CENTER 1-800-522-6752	VOLTAGE RATING: 600V MAX (1000V FIXTURE OR SIGN)	DIMENSIONS: mm [INCHES]	TOLERANCES UNLESS OTHERWISE SPECIFIED:	CHK M ELLIS 26JUN95	
FOR APPLICATION TOOLING INFORMATION	TOOLING ASSISTANCE CENTER 1-800-722-1111	CIRCULAR MIL AREA: 0.26-1.65mm² [509-3260] SOLID OR STRANDED		0 PLC ± - 1 PLC ± - 2 PLC ± - 3 PLC ± 0.127[.005] 4 PLC ± - ANGLES ± -	APVD G NGO 26JUN95	PRODUCT SPEC UL 486A-B
FOR ORDER ENTRY	1-800-526-5142	THIS DRAWING IS A CONTROLLED DOCUMENT FOR AMP INCORPORATED. IT IS SUBJECT TO CHANGE AND THE CONTROLLING ENGINEERING ORGANIZATION SHOULD BE CONTACTED FOR THE LATEST REVISION.	MATERIAL 4	FINISH BODY: TIN PER ASTM B545 INSULATION: COLOR-RED	APPLICATION SPEC 114-2161	NAME A3 00779 C-52951
					WEIGHT	RESTRICTED TO
					CUSTOMER DRAWING	SCALE 6:1 SHEET 1 of 1 REV P2