

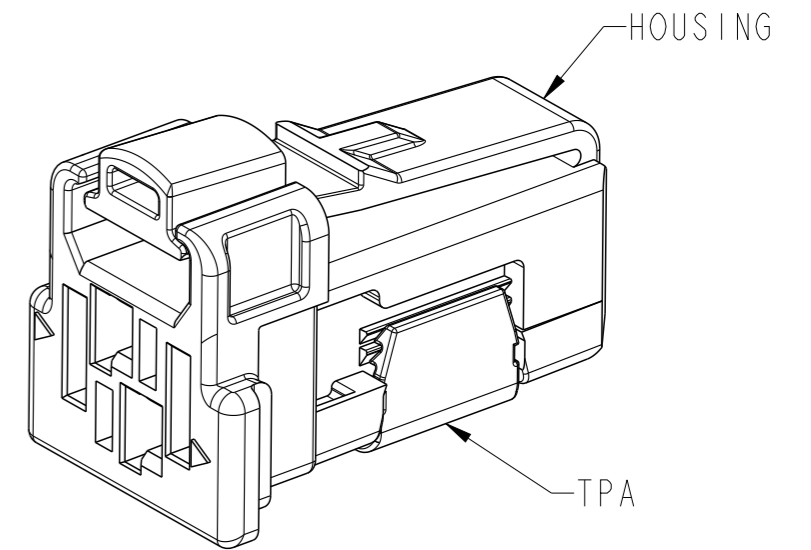
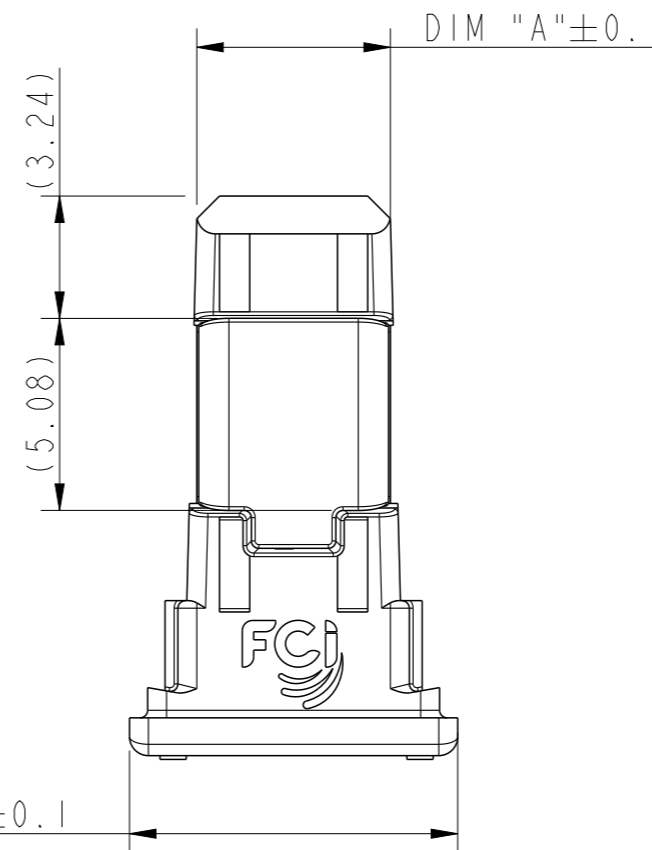
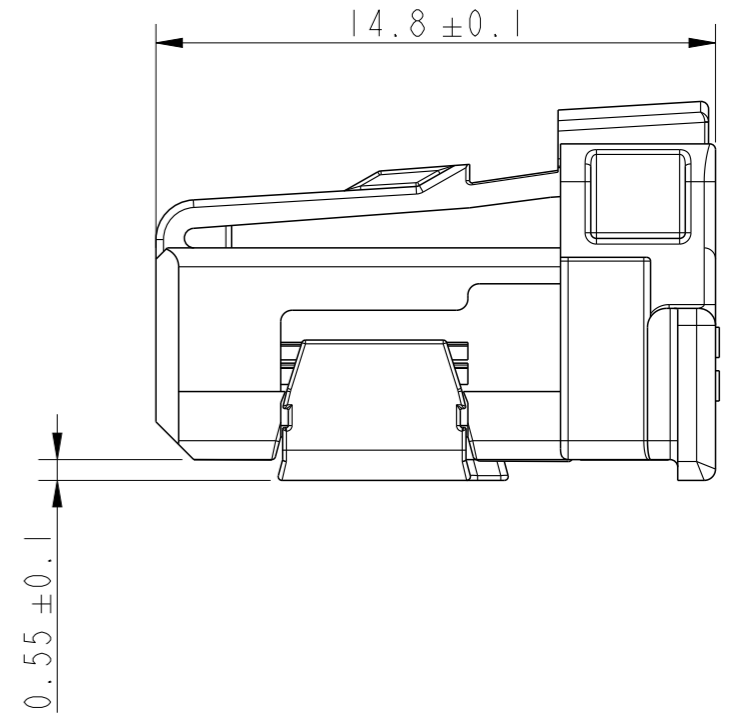
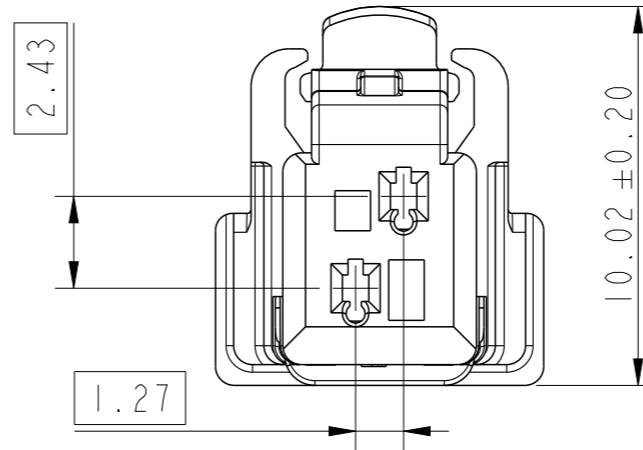
PRODUCT DESCRIPTION CODE :

10142395-0XX LF

- RøHS COMPATIBLE
- FOR CUSTOMER CODE :
BLANK = GENERAL USE
- PACKAGING :
BLANK = BULK
- NUMBER OF POSITIONS : 02 TO 03
- MATERIAL

NOTES:

- 1 - MATERIAL:
HIGH TEMPERATURE THERMOPLASTIC
COLOR BLACK UL94 V-0
- 2 - FOR USE WITH MINITEK μSPACE CTW TERMINALS :
AWG 22-24, SERIES 10141272 & 10148496
AWG 26-30, SERIES 10141272 & 10148496
- 3 - TO BE MATED WITH MINITEK μSPACE HEADERS SERIES
10142396 / 10142407
- 4 - THE PRODUCT IS NOT INTENDED TO BE EXPOSED TO ANY
SOLDER PROCESS.
- 5 - RøHS COMPATIBLE PRODUCT SPECIFICATIONS
 - a - LABELLING :
MEETS PACKAGING SPECS AS PER GS-14-920
 - b - LEGAL STATEMENT :
SEE GS-47-0004.

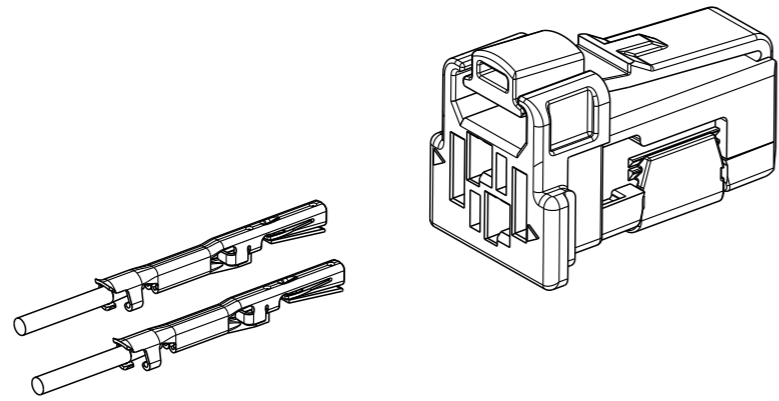


PRE-LOAD CONFIGURATION : DELIVERED STATUS

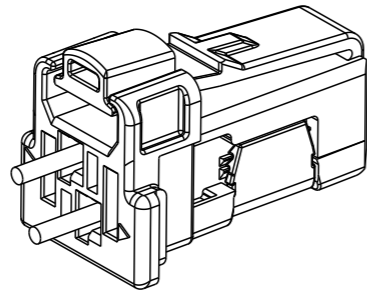
spec ref	GS-12-1422	dr	Sawanth, Ambaa	2018/07/10	projection	MM	size	A3	scale	5:1
tolerance std	ISO 406 ISO 1101	eng	Cyril Jeune	2019/06/20			ecn no	ELX-F-33997-1		
TOLERANCES UNLESS OTHERWISE SPECIFIED		chr	Hyppias, Arnau	2019/06/20			rel level	Released		
surface		appr	Beatrice Vial	2019/06/20	product family	-			rel level	Released
ISO 1302		linear	Amphenol FCI		RECEPTACLE ASSEMBLY		dwg no	10142395		rev
	angular			MINITEK μSPACE STAGGERED TOP LATCH				Product - Customer Drw		sheet 1 of 3
				cat. no.	-		Product - Customer Drw		sheet 1 of 3	

© 2016 AFCI Amphenol FCI

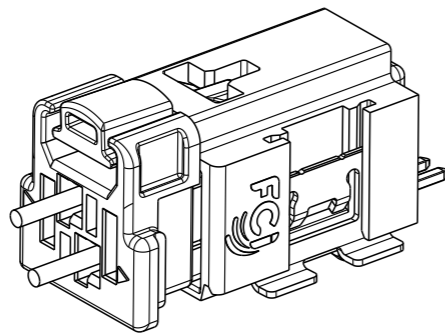
PART NO.	NO. OF POSN	DIM "A"
10142395-002LF	02	5.12
10142395-003LF	03	6.39



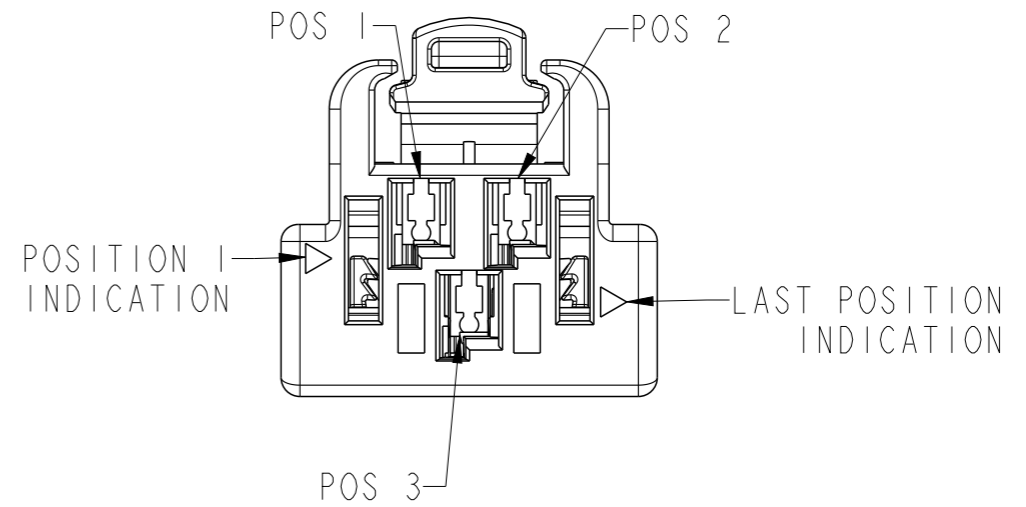
PRE-LOAD CONFIGURATION FOR TERMINAL INSERTION



FINAL LOAD CONFIGURATION WITH INSERTED TERMINAL



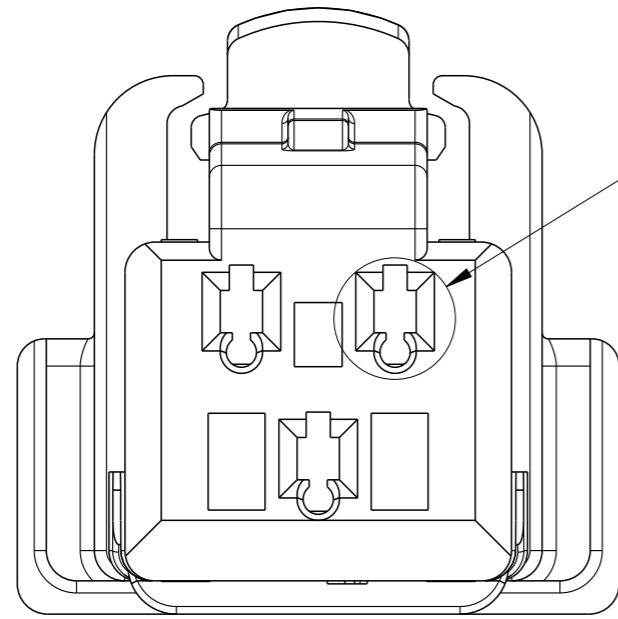
FULL HEADER AND RECEPTACLE ASSEMBLY CONFIGURATION



POSITION NUMBER INDICATION FOR 3POS VERSION

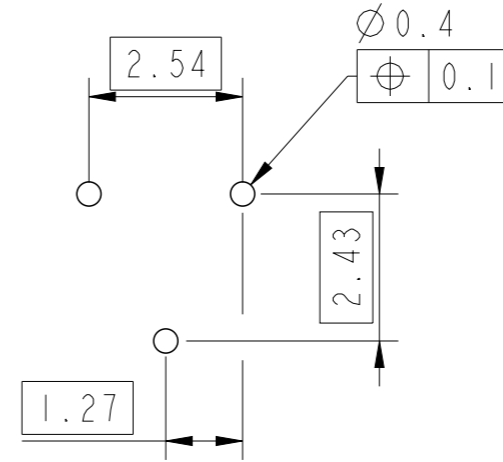
SCALE 5:1

spec ref	GS-12-1422	dr	Sawanth, Ambaa	2018/07/10	projection	MM	size	A3	scale	3:1
tolerance std	ISO 406 ISO 1101	eng	Cyril Jeune	2019/06/20			ecn no	ELX-F-33997-1		
TOLERANCES UNLESS OTHERWISE SPECIFIED		chr	Hyppias, Arnau	2019/06/20			rel level	Released		
surface	linear	appr	Beatrice Vial	2019/06/20	product family	-	rel level	Released		
	angular			RECEPTACLE ASSEMBLY MINITEK μSPACE STAGGERED TOP LATCH		cat. no. -	Product - Customer Drw	sheet 2 of 3	rev B	
ISO 1302	0.X ±0.3 0.XX ±0.10 0.XXX ±0.005					dwg no 10142395				

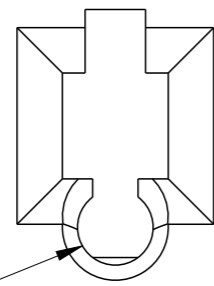


SEE DETAIL A

TEST PROBE $\varnothing 0.4\text{mm}$ COMPLIANCE



RECOMMENDED LAYOUT OF TEST PROBE $\varnothing 0.4\text{mm}$



HOLE FOR TEST PROBE

SEE DETAIL A
(20:1)

Amphenol
FCi

© 2016 AFCI

spec ref		GS-12-1422		dr	Sawanth, Ambaa	2018/07/10	projection 	MM 	size	A3	scale	5:1	
tolerance std		TOLERANCES UNLESS OTHERWISE SPECIFIED		eng	Cyril Jeune	2019/06/20			ecn no	ELX-F-33997-1			
ISO 406 ISO 1101				chr	Hyppias, Arnau	2019/06/20			rel level	Released			
surface		linear	0.X	±0.3	Amphenol FCi	RECEPTACLE ASSEMBLY			dwg no	10142395		rev	B
ISO 1302			0.XX	±0.10		MINITEK μ SPACE STAGGERED TOP LATCH							
		angular	0°	±2°		cat. no.	-	Product - Customer Drw					