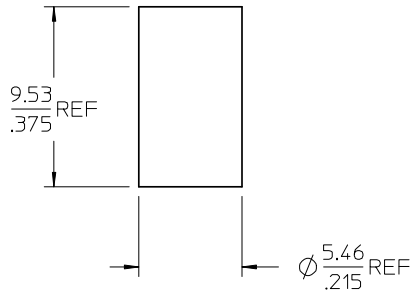
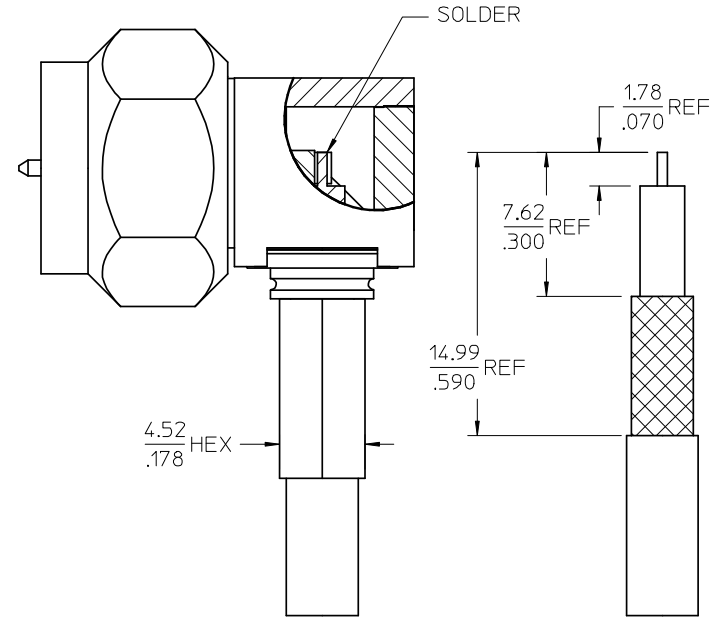
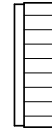
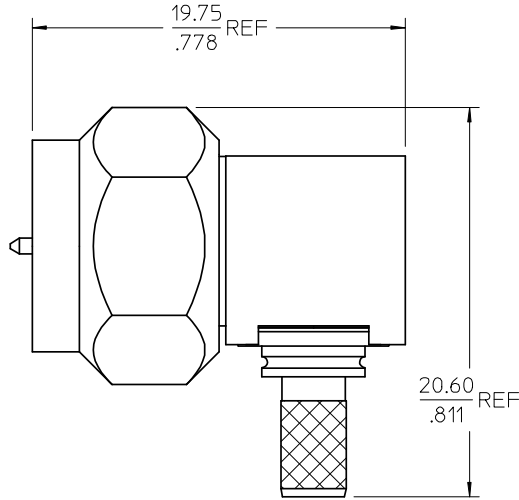
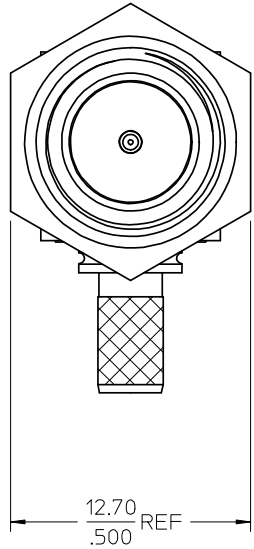
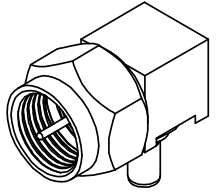


MATERIALS AND FINISHES

BODY, CRIMP TUBE, COUPLING NUT, CAP: BRASS
PLATED NICKEL

CONTACT: BRASS
PLATED GOLD

INSULATOR: TEFLON



BELDEN 1865A
STRIP DIMENSIONS

PART # 73356-0190

PS-89675-0910	ELEC/MECH PERFORMANCE
SPECIFICATION	DESCRIPTION

CHG: UPDATED VIEW OF REVISED REAR BODY. EC NO: URF2008-0591 DRWN:ROBERTSON 2008/05/15 CHKD:SSS 2008/05/15 APPR:JWIENER 2008/05/15 A1	QUALITY SYMBOLS ▽=0 ▽=0	GENERAL TOLERANCES (UNLESS SPECIFIED)	DIMENSION STYLE MM/IN	SCALE METRIC	DESIGN UNITS METRIC	THIRD ANGLE PROJECTION	
		4 PLACES ± --- ± --- 3 PLACES ± --- ± --- 2 PLACES ± --- ± --- 1 PLACE ± --- ± ---	DRAWN BY DATE SSS 2000/08/07	CHECKED BY DATE TEF 2000/08/07	TITLE F PLUG RA BELDEN 1865A 75 OHM F-PC, EWR-1071		
		ANGULAR ± 2 °	APPROVED BY DATE GMH 2000/08/07	MOLEX INCORPORATED			
		DRAFT WHERE APPLICABLE MUST REMAIN WITHIN DIMENSIONS	MATERIAL NO. 733560190	DOCUMENT NO. SD-73356-019	SHEET NO. 1 OF 1		