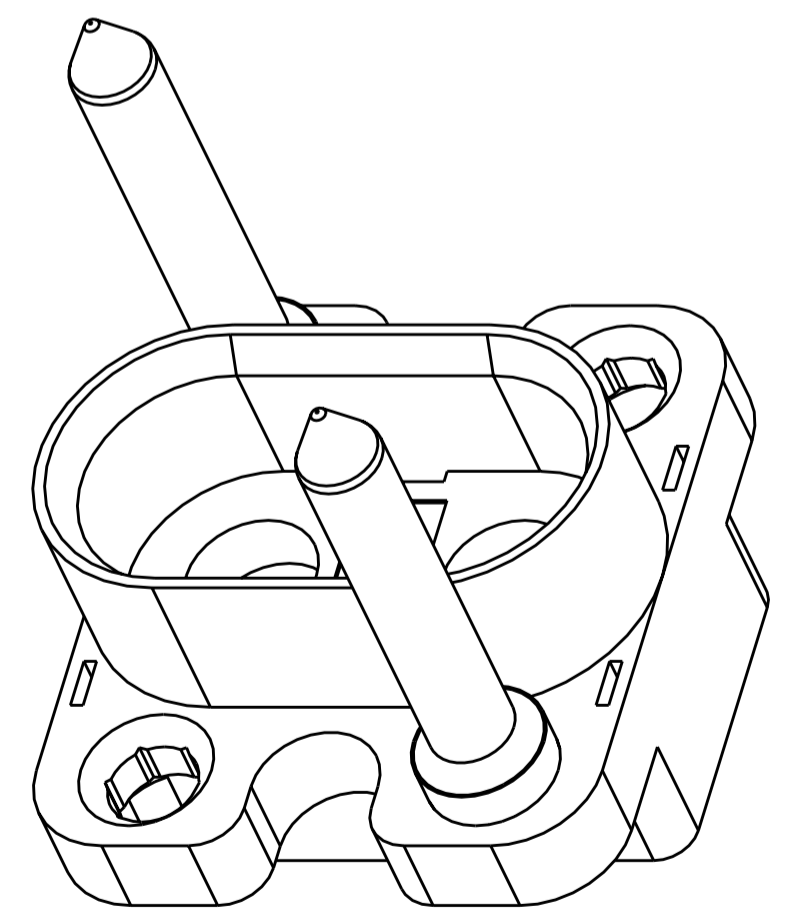
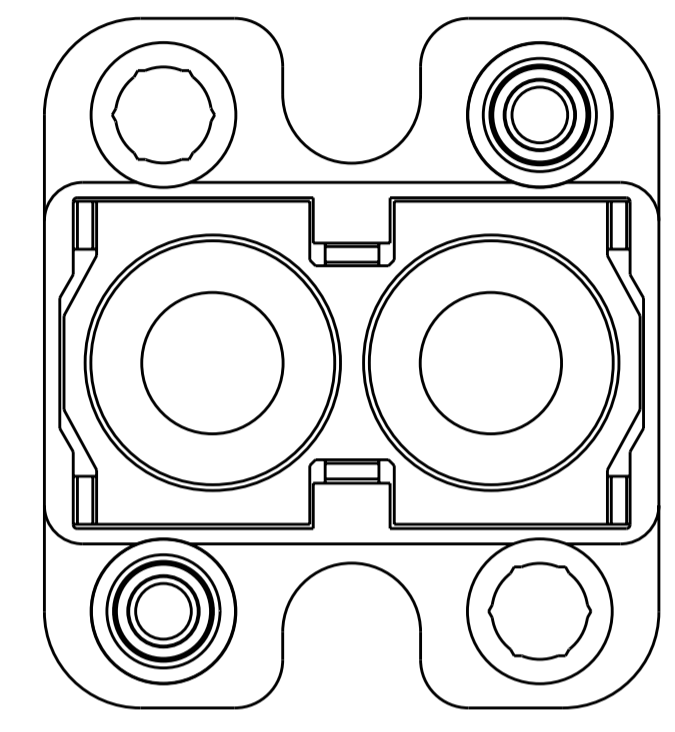
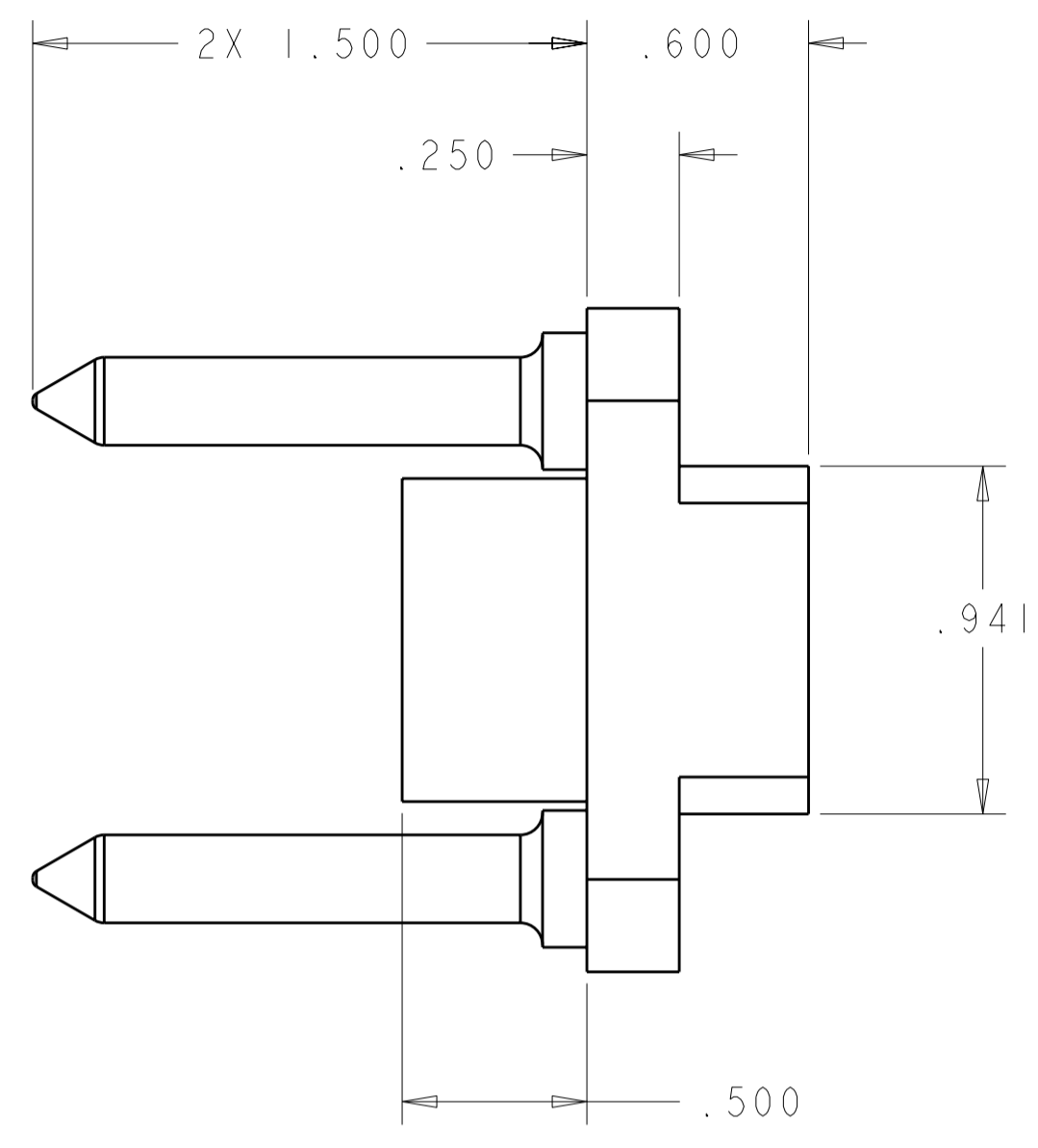
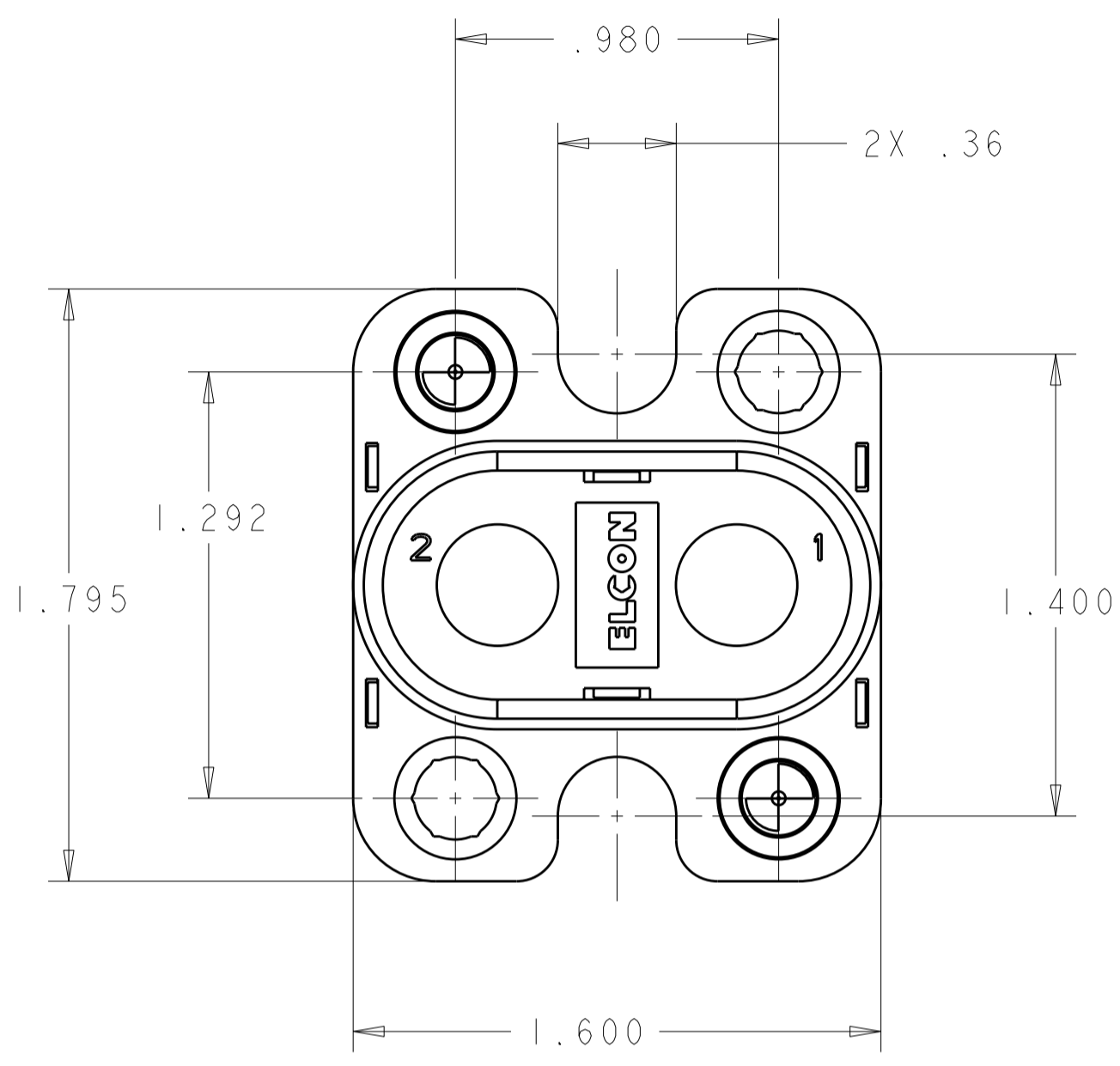


THIS DRAWING IS UNPUBLISHED. RELEASED FOR PUBLICATION 20
 © COPYRIGHT 20 BY TYCO ELECTRONICS CORPORATION. ALL RIGHTS RESERVED.

LOC	DIST	REVISIONS					
GP	00	P	LTR	DESCRIPTION	DATE	DWN	APVD
		A		RELEASED	21MAY2009	RG	DO



SCALE 2:1

AS SHOWN	1648562-1
DESCRIPTION	PART NO.

THIS DRAWING IS A CONTROLLED DOCUMENT FOR TYCO ELECTRONICS CORPORATION. IT IS SUBJECT TO CHANGE AND THE CONTROLLING ENGINEERING ORGANIZATION SHOULD BE CONTACTED FOR THE LATEST REVISION.		DWN R. GRZYBOWSKI 21MAY2009	Tyco Electronics Harrisburg, PA 17105-3608	
DIMENSIONS: INCHES		CHK D. ORRIS 21MAY2009	NAME PIN HOUSING ASSEMBLY W/ 6-32 INT. THD. GUIDE PINS DUALPOWER	
TOLERANCES UNLESS OTHERWISE SPECIFIED: 0 PLC ± 1 PLC ±.02 2 PLC ±.02 3 PLC ±.010 4 PLC ± ANGLES ± FINISH		APVD M. PERCHERKE 21MAY2009	PRODUCT SPEC 108-2285	RESTRICTED TO -
MATERIAL -		APPLICATION SPEC 114-13206	WEIGHT -	SIZE A2
		CUSTOMER DRAWING	SCALE 2:1	SHEET 1 OF 2 REV A

ELCON **DUALPOWER**

