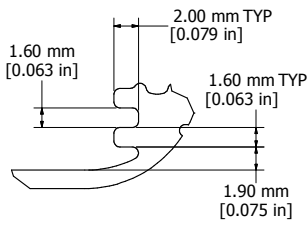
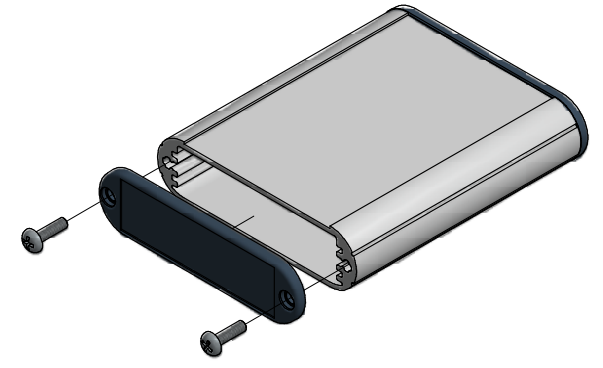


EXTRUSION

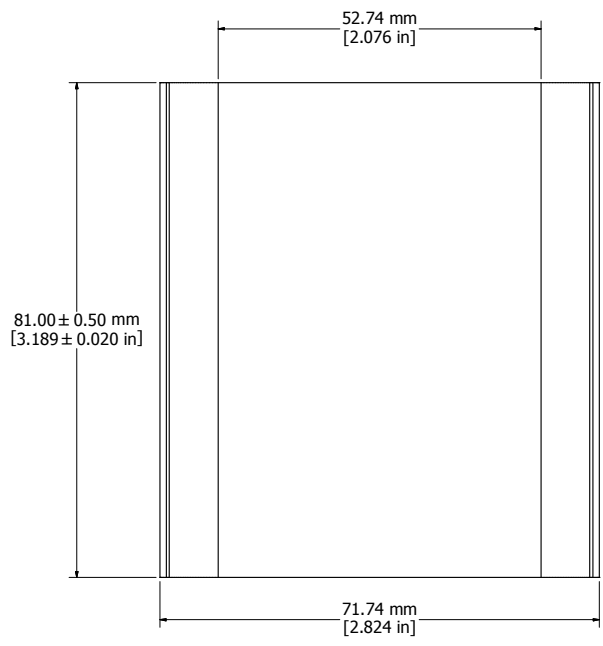


DETAIL A

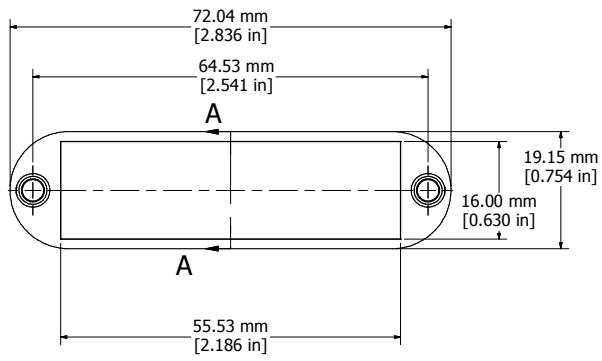


EXPLODED ASSEMBLY VIEW

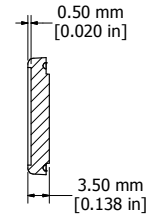
****DESIGNED FOR 60MM WIDE PC BOARD****



BEZEL



SECTION A-A



Enclosures can be Factory Modified (Milling, Drilling, Printing etc.)
 Solid models of this enclosure available in STEP or IGES.
 Contact Factory mjm@hammondmfg.com

NOTE	
Purchased assembly includes box, plastic bezels, #6 Taptight screws and self adhesive rubber feet.	
Box made from Extruded Aluminum 6063.	
Bezels made from polycarbonate.	

1455B802	
PART NUMBERS	
Clear Anodized	1455B802
Black Anodized	1455B802BK
Blue Anodized	1455B802BU
Red Anodized	1455B802RD

ACCESSORIES	
See website for accessories.	

1455B802
www.hammondmfg.com