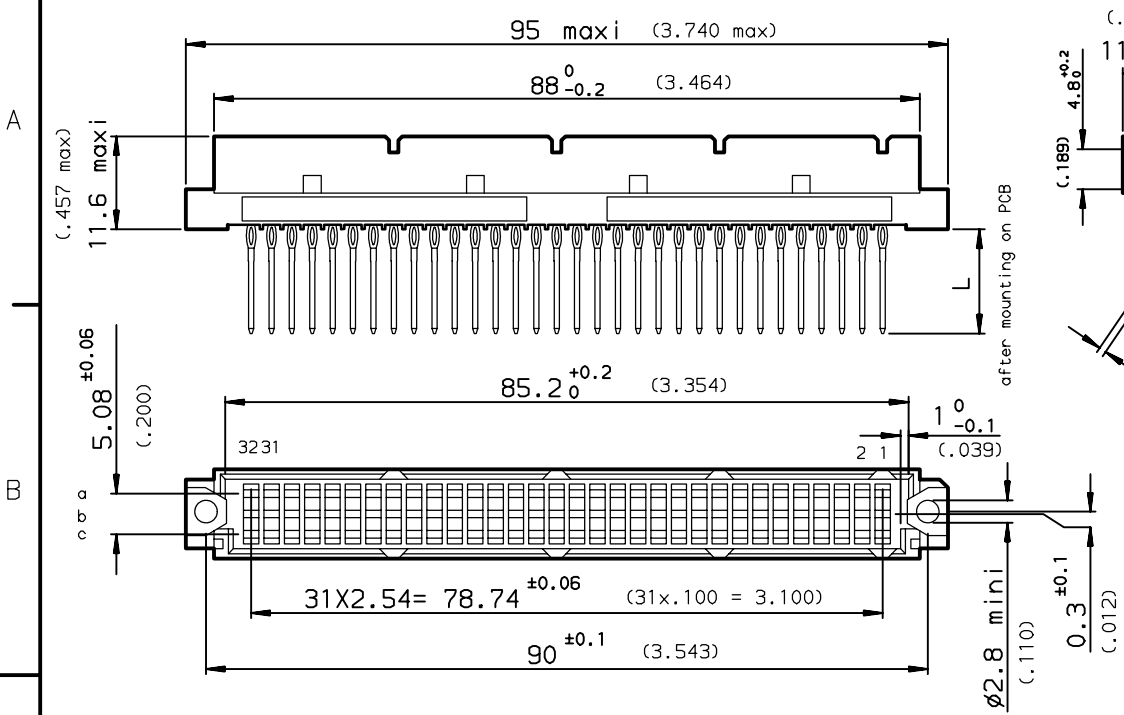
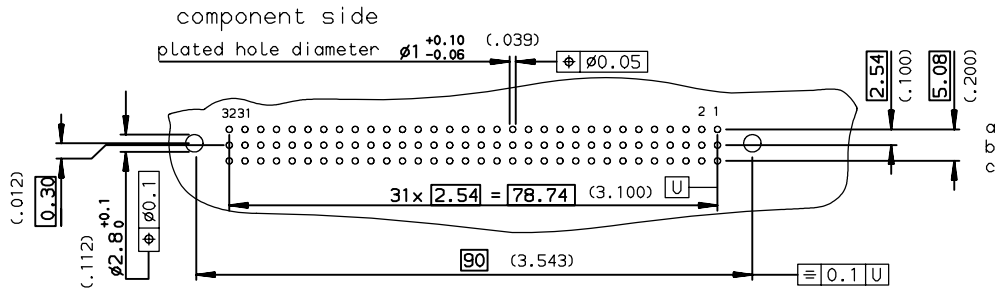


DIMENSIONS mm (inches)



| | | | | | | | | | |
|------------------------|------|--|--|----|--|---|--|------------------------|-----|
| PART NUMBER | 8609 | | | 78 | | 7 | | 5 | |
| PIN OUT | | | | | | | | | |
| rows a-b-c | | | | 3 | | | | 96 | |
| rows a-c | | | | 4 | | | | 64 | |
| NUMBER OF CONTACTS | | | | | | | | | |
| TERMINATION | | | | | | | | | |
| L = 13.25 ±0.25 (.521) | | | | | | | | near plug up | 96 |
| L = 17.25 ±0.25 (.679) | | | | | | | | near plug up + 1 wrap | 97 |
| L = 20.00 ±0.25 (.787) | | | | | | | | near plug up + 2 wraps | 98 |
| PERFORMANCE CLASS | | | | | | | | | |
| DIN 41612 class 3 | | | | | | | | | 4 |
| DIN 41612 class 2 | | | | | | | | | 5 |
| DIN 41612 class 1 | | | | | | | | | 6 |
| TERMINATION TYPE | | | | | | | | | |
| TIN LEAD | | | | | | | | | 000 |
| LEAD FREE | | | | | | | | | LF |

PCB DRILLING



GENERAL CHARACTERISTICS AND ROHS INFORMATIONS:
 SEE DRAWING C-8609-0000C

European Views

| | | | | | |
|---------------------------------------|-----------|-------------------------|-----------------------------------|---------------|-------|
| www.fciconnect.com | | surface ISO 1302 | tolerance std ISO 406 ISO 1101 | projection | mm |
| TOLERANCES UNLESS OTHERWISE SPECIFIED | | | | | |
| Dr | ROUILLARD | 1992/07/07 | 0.X | ±0.1 | size |
| Eng | TARON | 1992/07/07 | 0.XX | ±0.1 | A3 |
| Chr | LEGARE | 1992/07/07 | 0.XX' ±2' | ±0.1 | Scale |
| Appr | LEGARE | 1992/07/07 | | | 1.5 |
| Product family | | Din 8609 | | Spec ref - | |
| Title | | STRAIGHT MALE - STYLE R | | ECN L506-0095 | |
| catalog no | | PRESS FIT REAR PLUG UP | | C-8609-0285 | |
| Rev. | | F | | sheet 1 of 1 | |

| rev | ecn no | dr | date |
|-----|-----------|-----|------------|
| D | - | ATC | 1998/12/09 |
| E | L505-004 | JTA | 2005/02/26 |
| F | L506-0095 | LGO | 2006/06/15 |
| - | - | - | - |
| - | - | - | - |
| - | - | - | - |

Copyright FCI.