

Product Data Sheet

ION-BLOCK-24V | Ion Generator

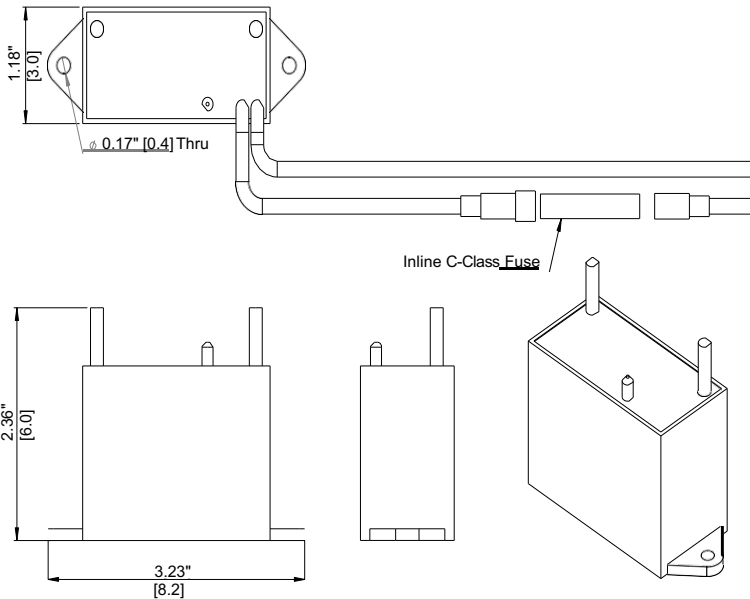
Part Number

ION-BLOCK-24V

VOLTAGE:
24VAC / VDC, 1 ϕ

Note: The 24V block can be utilized as a 12V block.

Product Dimensions (inches [cm])



Conforms to:
UL STD 867
UL STD 2998

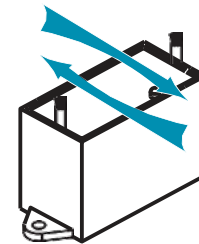
Certified to:
CAN/CSA
STD C22.2
NO. 187



Product Application

Hospitals | Nursing Homes | Schools |
Animal Feeding and Processing Plants |
Shopping Malls | Laboratories | Airports | Restaurants
and Food Preparation Areas | Zoos | Casinos |
Convention Centers and Arenas | Jails | Museums |
Health Clubs | Churches and Synagogues

Airflow



* bi-directional
airflow

Technical Data

Power Supply	See part number voltage
Power Consumption	10W @ 12V; 5W @ 24V
Output Voltage	+/- 3.5kV @ 12V; +/- 7.0kV @ 24V
Power Wiring Leads	35 inches in length
Mounting	Self tapping metal screws
Dimensions	3.16" x 1.16" x 2.27"
CFM	2,400 CFM
Ion Count	24.9 Million ions/cm ³ @ 12V; 49.8 Million ions/cm ³ @ 24V/115V/230V
Weight	.5 lbs (.25 kg)