

1. Scope

The present specifications shall apply to a RU2Z.

2. Outline

Type	Silicon Diode (Mesa Type)
Structure	Resin Molded Flammability:UL94-V0(Equivalent)
Applications	Pulse rectification, etc.

Not Recommended for New Designs

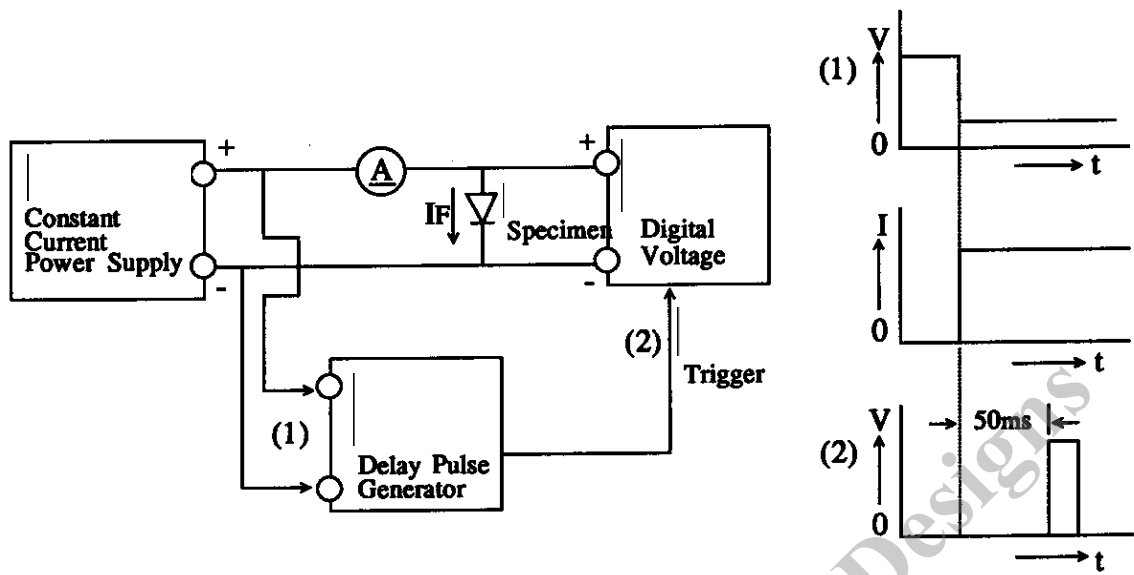
3. Absolute maximum ratings

No.	Item	Symbol	Unit	Rating	Conditions
1	Transient Peak Reverse Voltage	V_{RSM}	V	250	
2	Peak Reverse Voltage	V_{RM}	V	200	
3	Average Forward Current	$I_{F(AV)}$	A	1.0	Refer to 6
4	Peak Surge Forward Current	I_{FSM}	A	20	10msec. Sinewave, one shot
5	Junction Temperature	T_j	°C	-40~+150	
6	Storage Temperature	T_{stg}	°C	-40~+150	

4. Electrical characteristics (Ta=25°C, unless otherwise specified)

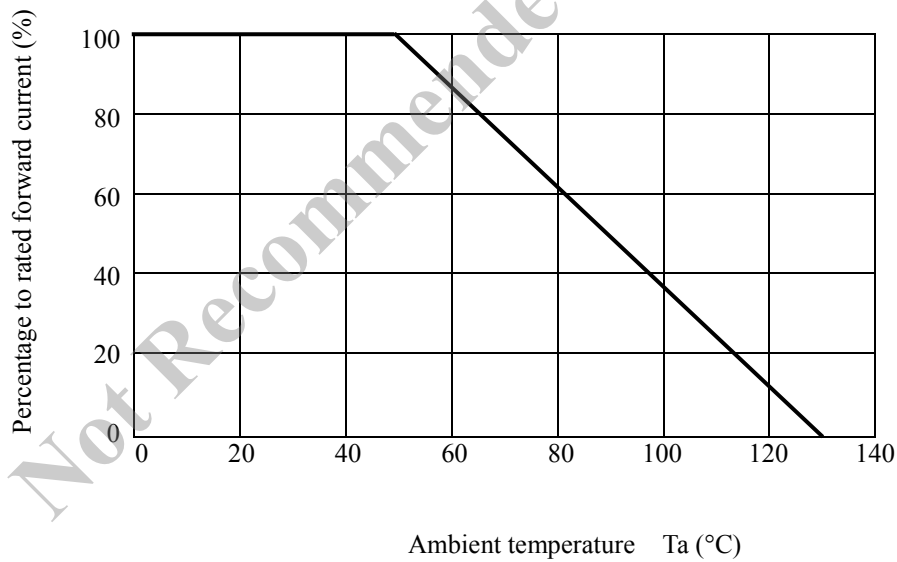
No.	Item	Symbol	Unit	Value	Conditions
1	Forward Voltage Drop	V_F	V	1.50 max.	$I_F=1.0A$
2	Reverse Leakage Current	I_R	μA	10 max.	$V_R=V_{RM}$
3	Reverse Leakage Current Under High Temperature	$H \cdot I_R$	μA	300 max.	$V_R=V_{RM}$, Ta=100°C
4	Reverse Recovery Time	Trr-1	μs	0.4 max.	$I_F=I_{RP}=10mA$, Ta=25°C 90% Recovery point
		Trr-2	μs	0.18 max.	$I_F=10mA$, $I_{RP}=20mA$, Ta=25°C 75% Recovery point
5	Thermal Resistance	Rth (j-l)	°C /W	15 max.	Between Junction and Lead

5. V_F test and test circuit



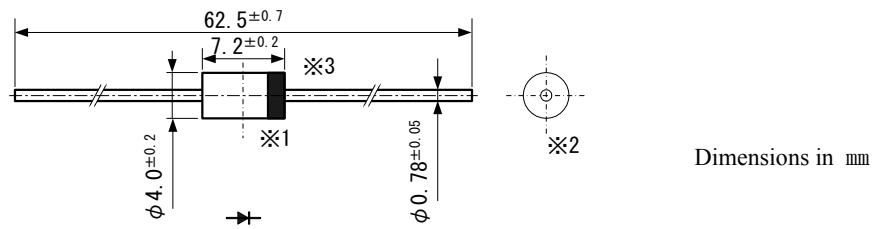
6. Derating

Derating to the ambient temperature.
 Power loss generated by voltage is not taken into consideration.



7. Package information

7-1 Package type, physical dimensions and material



*1 The allowance position of Body against the center of whole lead wire is 0.5mm (max.)

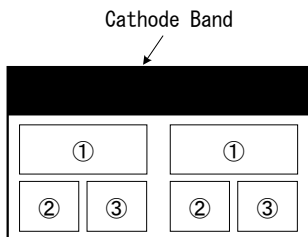
*2 The centric allowance of lead wire against center of physical body is 0.3mm (max.)

7-2 Appearance

The body shall be clean and shall not bear any stain, rust or flaw.

7-3 Marking

① Type number RU2Z



② Lot number 1

First digit : Last digit of year

Second digit : Month

From 1 to 9 for Jan. to Sep.

O for Oct., N for Nov., and D for Dec.

③ Lot number 2 (ten days)

· : Top of the month

·· : Middle of month

... : End of month

The Type number and Lot number are to be marked in red.

Not Recommended for New Designs