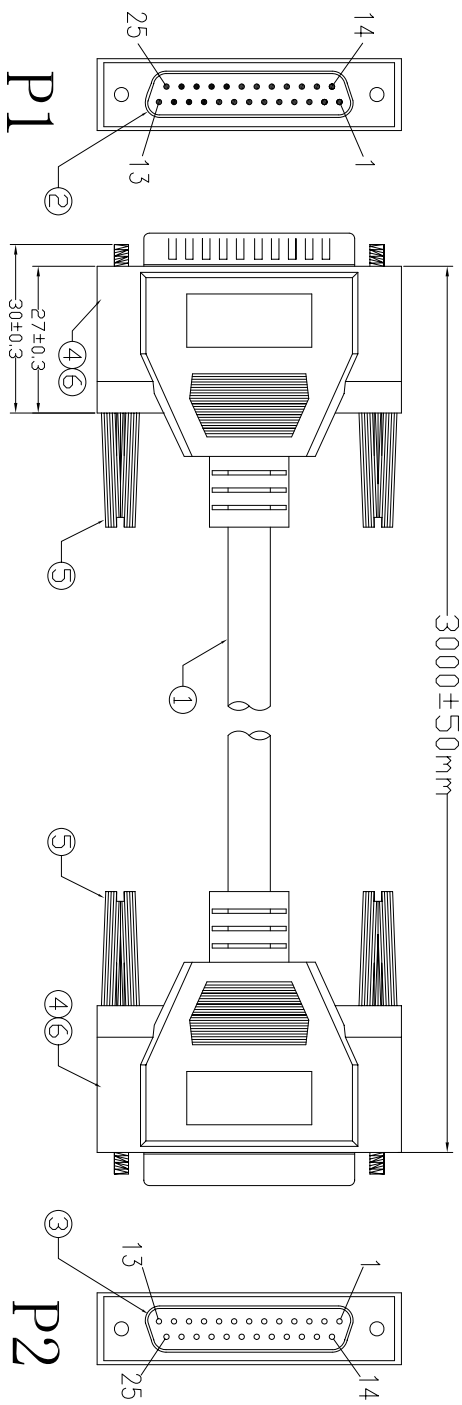
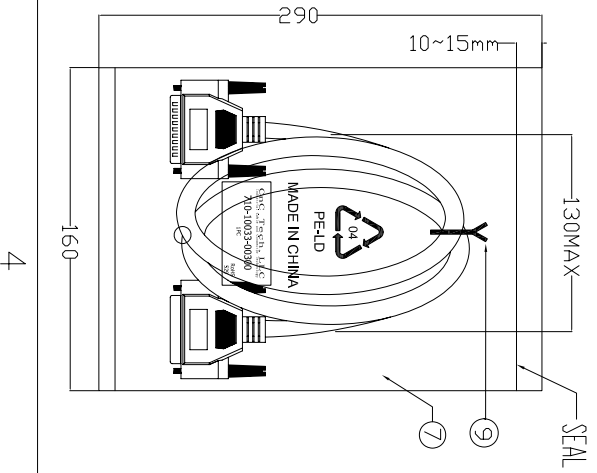


Units:mm



Electrical test:
 1. 100% short, open, miswire test
 2. Conduct resistance: 2 Ohm(max)
 3. Insulation resistance: 5Mohm(min)
 4. dielectric test: DC 300V



⑨	TIE	1	WHITE L=120mm
⑧	PE BAG	1/10	CLEAR SIZE: 360*380*0.05mm PRINT BLACK "MADE IN CHINA" "10PCS" 及印生产日期, 有透气孔.
⑦	PE BAG	1	CLEAR SIZE: 160*290*0.05mm PRINT BLACK "MADE IN CHINA" "1PC" 及印生产日期, 有透气孔.
⑥	TUBE	2	HEAT SHRINK TUBE BLACK OD1.5*20MM
⑤	SCREW	4	#4-40UNC TYPE L=30mm/NICKEL PLATED.MOLD:BEIGE(V-29) ABS
④	IN JACKET	18g	CLEAR LD-PE (Mould NO.:NM-33)
③	CONN	1	DB 25P FEMALE SODDER TYPE PIN G/F SHELL NI-PLATED INSULATOR COLOR:BLUE
②	CONN	1	DB 25P MALE SOLDER TYPE PIN G/F SHELL NI-PLATED INSULATOR COLOR:BLUE
①	CABLE	1	NOUL 30#(7/0.10)*25C+D+AL/MY OD6.5mm JACKET BEIGE(V-29) L=3000±15mm

PIN ASSIGNMENT			
P1		P2	
1	黑	1	黑
2	棕	2	棕
3	红	3	红
4	橙	4	橙
5	黄	5	黄
6	绿	6	绿
7	蓝	7	蓝
8	紫	8	紫
9	灰	9	灰
10	白	10	白
11	粉红	11	粉红
12	浅绿	12	浅绿
13	红/黑	13	红/黑
14	橙/黑	14	橙/黑
15	黄/黑	15	黄/黑
16	绿/黑	16	绿/黑
17	蓝/黑	17	蓝/黑
18	紫/黑	18	紫/黑
19	白/黑	19	白/黑
20	红/白	20	红/白
21	橙/白	21	橙/白
22	绿/白	22	绿/白
23	蓝/白	23	蓝/白
24	紫/白	24	紫/白
25	棕/白	25	棕/白
SHELL		SHELL	
			地线

CnC Tech, LLC
 Industrial Cable and Connector Technology

DRAWN BY	ZHONGHS	DRAWING NO.	
CHECKED BY		CUSTOMER	
APPROVAL BY		ITEM NO.	710-10033-00300
DECIDE BY		DATE	2012-02-06
VERSIONS/EDITION	A/0	PROJECTION	