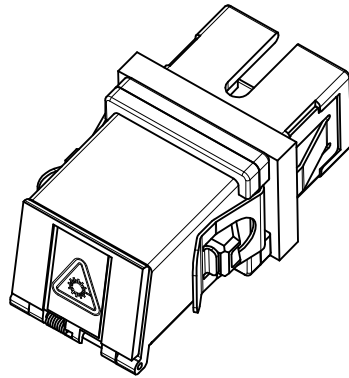
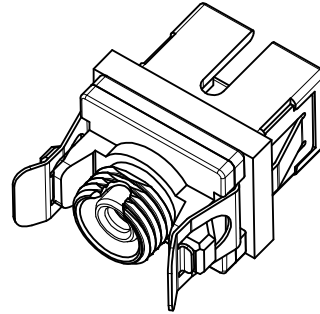


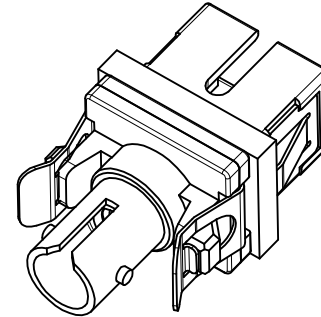
SHOWN WITH DUST CAP  
INSTALLED (NO MODULE)



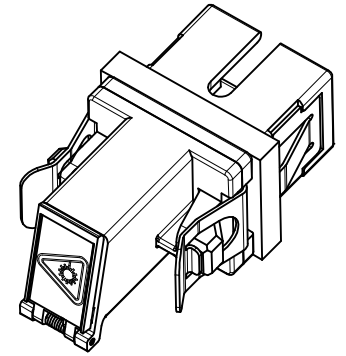
SC-SC VERSIONS  
SEE SHEET 3



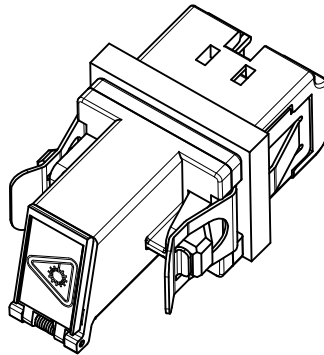
SC-FC VERSIONS  
SEE SHEET 4



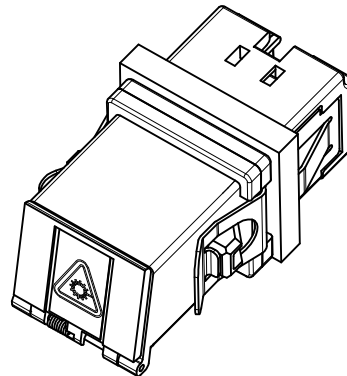
SC-ST VERSIONS  
SEE SHEET 5



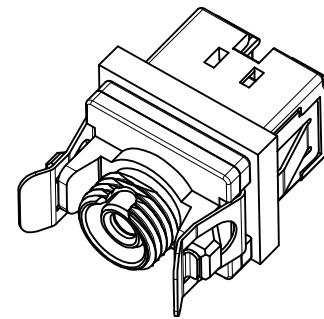
SC-LC VERSION  
SEE SHEET 6



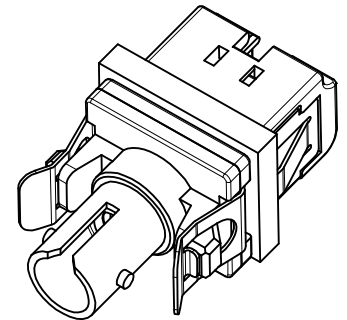
LC-LC VERSIONS  
SEE SHEET 7



LC-SC VERSION  
SEE SHEET 8



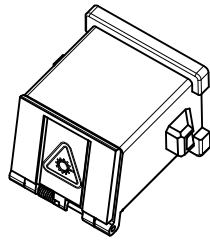
LC-FC VERSION  
SEE SHEET 9



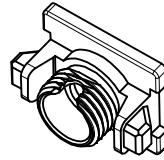
LC-ST VERSION  
SEE SHEET 10

|   |                                    |  |           |  |            |   |                                |                        |  |  |
|---|------------------------------------|--|-----------|--|------------|---|--------------------------------|------------------------|--|--|
| <b>ENTER DESCRIPTION</b><br>EC NO: MF2010-0212<br>DRAWN: SERNST<br>CHKD: DSZILAGYI<br>APPR: SMIGO<br>2009/11/09<br>2009/11/11<br>2009/11/11 | <b>QUALITY SYMBOLS</b><br>=0<br>=0 | <b>GENERAL TOLERANCES (UNLESS SPECIFIED)</b>               |           | <b>DIMENSION STYLE</b><br>MM/IN            |            | SCALE<br>2.5:1  | DESIGN UNITS<br>METRIC         | THIRD ANGLE PROJECTION |  |  |
|   |                                    | 4 PLACES   | ± ---     | ± ---                                      | DRAWN BY   | DATE  | TITLE<br>UNIVERSAL EMI ADAPTER |                        |  |  |
|   |                                    | 3 PLACES   | ± ---     | ± ---                                      | SERNST     | 2006/02/13  |                                |                        |  |  |
|   |                                    | 2 PLACES   | ± ---     | ± ---                                      | CHECKED BY | DATE  | MOLEX INCORPORATED             |                        |  |  |
| 1 PLACE   | ± ---                              | ± ---  | DSZILAGYI | 2006/03/07                                 |            |   |                                |                        |  |  |
| ANGULAR ± 1 °   |                                    | DRAFT WHERE APPLICABLE<br>MUST REMAIN<br>WITHIN DIMENSIONS |           | MATERIAL NO.<br>SEE TABLES                 |            | DOCUMENT NO.<br>SD-106154-001   |                                | SHEET NO.<br>1 OF 10   |  |  |
| REV<br>A4   |                                    | DESCRIPTION  |           | APPROVED BY<br>SMIGO<br>DATE<br>2006/03/07 |            | THIS DRAWING CONTAINS INFORMATION THAT IS PROPRIETARY TO MOLEX INCORPORATED AND SHOULD NOT BE USED WITHOUT WRITTEN PERMISSION |                                |                        |  |  |

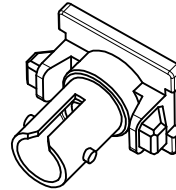
| MODULE P/N | TYPE | COLOR |
|------------|------|-------|
| 1061540020 | SC   | BLUE  |
| 1061540022 |      | BEIGE |
| 1061540025 |      | GREEN |
| 1061540031 | FC   | BLUE  |
| 1061540033 |      | BEIGE |
| 1061540036 |      | GREEN |
| 1061540041 | ST   | BLUE  |
| 1061540043 |      | BEIGE |
| 1061540130 | LC   | BLUE  |
| 1061540131 |      | BEIGE |
| 1061540132 |      | GREEN |



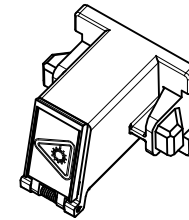
SC



FC

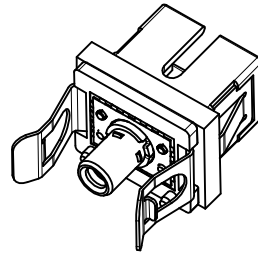


ST

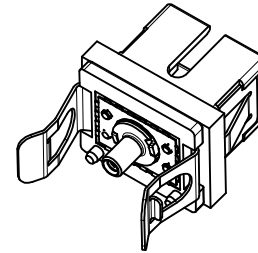


LC

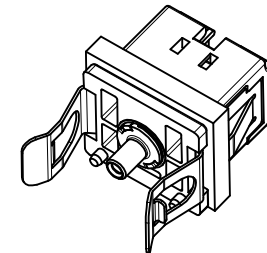
| BASE P/N   | TYPE        | SLEEVE MAT'L | TYPE              |
|------------|-------------|--------------|-------------------|
| 1061540010 | SINGLE MODE | ZIRCONIA     | SC BASE TO 2.5mm  |
| 1061540012 | MULTIMODE   | PHOS BRONZE  | SC BASE TO 1.25mm |
| 1061540013 | SM/MM       | NICKEL       | SC BASE TO 1.25mm |
| 1061540210 | SINGLE MODE | ZIRCONIA     | LC BASE TO 1.25mm |
| 1061540212 | MULTIMODE   | PHOS BRONZE  | LC BASE TO 1.25mm |
| 1061540213 | SM/MM       | NICKEL       | LC BASE TO 2.5mm  |



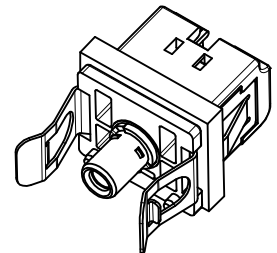
SC TO 2.5mm



SC TO 1.25mm



LC TO 1.25mm



LC TO 2.5mm

| SLEEVE ASBY | TYPE        | SLEEVE MAT'L | TYPE                    |
|-------------|-------------|--------------|-------------------------|
| 1061540050  | SINGLE MODE | ZIRCONIA     | 2.5mm                   |
| 1061540051  | MULTIMODE   | PHOS BRONZE  |                         |
| 1061540052  | SINGLE MODE | ZIRCONIA     | 1.25mm                  |
| 1061540053  | MULTIMODE   | PHOS BRONZE  |                         |
| 1061540054  | SM/MM       | NICKEL       | HYBRID<br>1.25 TO 2.5mm |



2.5mm

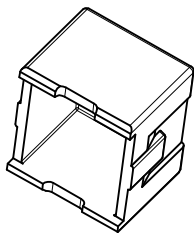


1.25mm



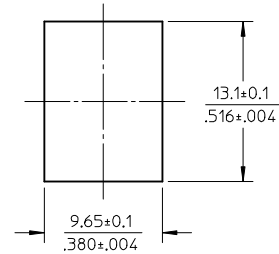
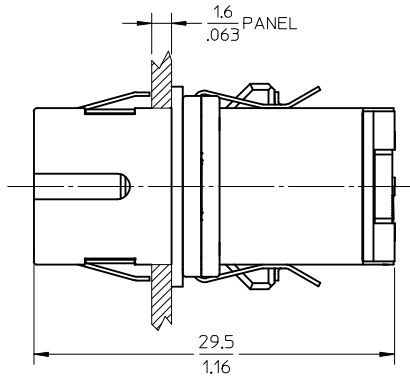
HYBRID

DUST CAP  
P/N 1061540006

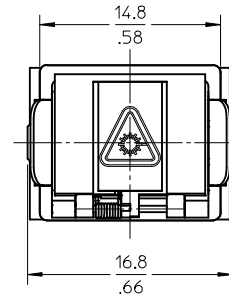
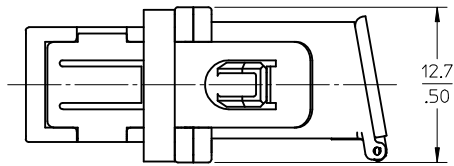


|   |   |   |   |  |                                |
|---|---|---|---|--|--------------------------------|
| <b>ENTER DESCRIPTION</b><br>EC NO: MF2010-0212<br>DRWN:SERNST 2009/11/09<br>CHKD: 2009/11/11<br>APPR:SM1GO 2009/11/11<br>REV A4 | QUALITY SYMBOLS<br>▽=0<br>▽=0   | GENERAL TOLERANCES (UNLESS SPECIFIED)<br>mm INCH<br>4 PLACES ± --- ± ---<br>3 PLACES ± --- ± ---<br>2 PLACES ± --- ± ---<br>1 PLACE ± --- ± ---<br>ANGULAR ± 1° | DIMENSION STYLE<br>MM/IN<br>DRAWN BY DATE<br>SERNST 2006/02/13<br>CHECKED BY DATE<br>DSZILAGYI 2006/03/07<br>APPROVED BY DATE<br>SM1GO 2006/03/07 | SCALE<br>2:1<br>DESIGN UNITS<br>METRIC<br>THIRD ANGLE PROJECTION | TITLE<br>UNIVERSAL EMI ADAPTER |
|   | DRAFT WHERE APPLICABLE MUST REMAIN WITHIN DIMENSIONS  |   | MATERIAL NO.<br>SEE TABLES  | MOLEX INCORPORATED<br>DOCUMENT NO.<br>SD-106154-001              | SHEET NO.<br>2 OF 10           |
|   | THIS DRAWING CONTAINS INFORMATION THAT IS PROPRIETARY TO MOLEX INCORPORATED AND SHOULD NOT BE USED WITHOUT WRITTEN PERMISSION |   |   |  |                                |
|   | THIS DRAWING CONTAINS INFORMATION THAT IS PROPRIETARY TO MOLEX INCORPORATED AND SHOULD NOT BE USED WITHOUT WRITTEN PERMISSION |   |   |  |                                |

| ADAPTER P/N | STYLE     | TYPE        | SLEEVE MAT'L    | MODULE COLOR |
|-------------|-----------|-------------|-----------------|--------------|
| 1061541000  | SC-SC     | SINGLE MODE | ZIRCONIA        | BLUE         |
| 1061541005  | SC-SC/APC |             |                 | GREEN        |
| 1061541001  | SC-SC     | MULTIMODE   | PHOSPHOR BRONZE | BEIGE        |



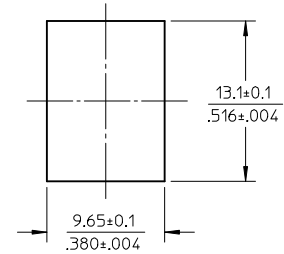
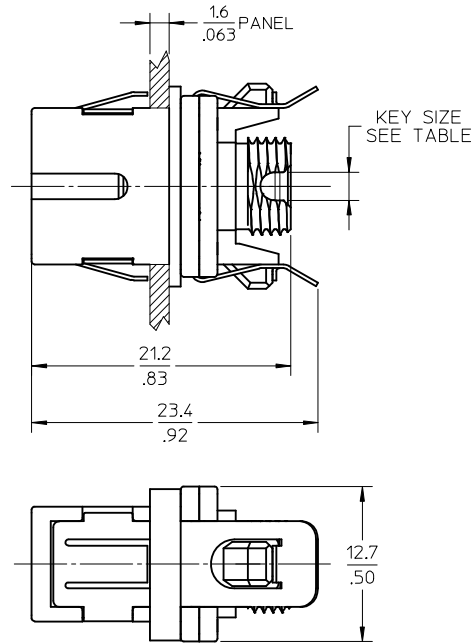
RECOMMENDED MOUNTING CUTOUT  
(1.6mm THICK PANEL)



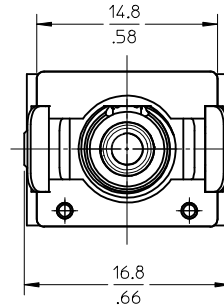
- NOTES:
- ALL DIMENSIONS ARE FOR REFERENCE ONLY.
  - PACKAGING: ADAPTERS AND DUSTCAPS ARE PACKED IN A PLASTIC TRAY.

|  |                               |   |         |   |   |                               |                        |  |
|--|-------------------------------|---|---------|---|---|-------------------------------|------------------------|--|
| <b>ENTER DESCRIPTION</b><br>EC NO: MF2010-0212<br>DRAWN: SERNST 2009/11/09<br>CHKD: 2009/11/11<br>APPR: SMIGO 2009/11/11 | QUALITY SYMBOLS<br>▽=0<br>▽=0 | GENERAL TOLERANCES (UNLESS SPECIFIED)   |         | DIMENSION STYLE<br>MM/IN                | SCALE<br>2.5:1  | DESIGN UNITS<br>METRIC        | THIRD ANGLE PROJECTION |  |
|  |                               | 4 PLACES ± --- ± ---<br>3 PLACES ± --- ± ---<br>2 PLACES ± --- ± ---<br>1 PLACE ± --- ± --- | mm INCH | DRAWN BY DATE<br>SERNST 2006/02/13      | TITLE<br>UNIVERSAL EMI ADAPTER  |                               |                        |  |
|  |                               | ANGULAR ± 1°  |         | CHECKED BY DATE<br>DSZILAGYI 2006/03/07 | MOLEX INCORPORATED  |                               |                        |  |
|  |                               | DRAFT WHERE APPLICABLE MUST REMAIN WITHIN DIMENSIONS  |         | APPROVED BY DATE<br>SMIGO 2006/03/07    | MATERIAL NO.<br>SEE TABLE   | DOCUMENT NO.<br>SD-106154-001 | SHEET NO.<br>3 OF 10   |  |
| REV<br>A4  |                               |   |         | SIZE<br>B                               | THIS DRAWING CONTAINS INFORMATION THAT IS PROPRIETARY TO MOLEX INCORPORATED AND SHOULD NOT BE USED WITHOUT WRITTEN PERMISSION |                               |                        |  |

| ADAPTER P/N | STYLE     | TYPE        | SLEEVE MAT'L    | MODULE COLOR | KEY SIZE (mm) |
|-------------|-----------|-------------|-----------------|--------------|---------------|
| 1061541010  | SC-FC     | SINGLE MODE | ZIRCONIA        | BLUE         | 2.3           |
| 1061541015  | SC-FC/APC |             |                 | GREEN        | 2             |
| 1061541011  | SC-FC     | MULTIMODE   | PHOSPHOR BRONZE | BEIGE        | 2.3           |



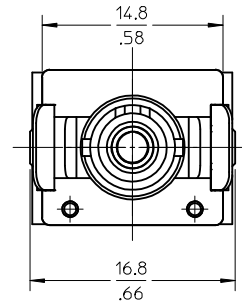
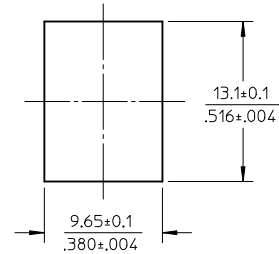
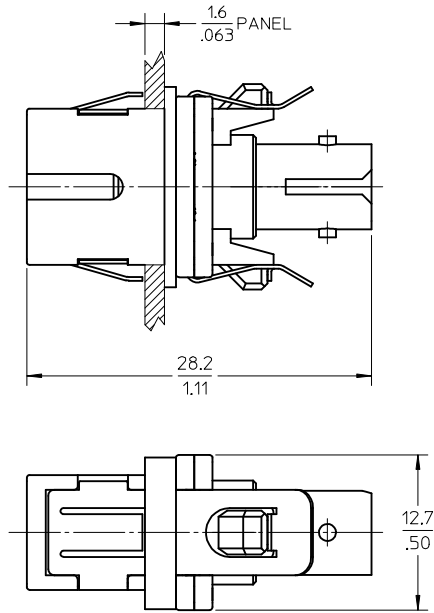
RECOMMENDED MOUNTING CUTOUT  
(1.6mm THICK PANEL)



- NOTES:
- ALL DIMENSIONS ARE FOR REFERENCE ONLY.
  - PACKAGING: ADAPTERS AND DUSTCAPS ARE PACKED IN A PLASTIC TRAY.

|  |                                      |                                       |                      |                                 |                    |   |                               |                        |  |  |
|--|--------------------------------------|---------------------------------------|----------------------|---------------------------------|--------------------|---|-------------------------------|------------------------|--|--|
| <b>ENTER DESCRIPTION</b><br>EC NO: MF2010-0212<br>DRAWN: SERNST 2009/11/09<br>CHKD: 2009/11/11<br>APPR: SMIGO 2009/11/11 | <b>QUALITY SYMBOLS</b><br>▽=0<br>▽=0 | GENERAL TOLERANCES (UNLESS SPECIFIED) |                      | DIMENSION STYLE<br><b>MM/IN</b> |                    | SCALE<br><b>2.5:1</b>   | DESIGN UNITS<br><b>METRIC</b> | THIRD ANGLE PROJECTION |  |  |
|  |                                      | 4 PLACES ± --- ± ---                  | mm INCH              | DRAWN BY<br>SERNST              | DATE<br>2006/02/13 | TITLE<br><b>UNIVERSAL EMI ADAPTER</b>   |                               |                        |  |  |
|  |                                      | 3 PLACES ± --- ± ---                  | 2 PLACES ± --- ± --- | CHECKED BY<br>DSZILAGYI         | DATE<br>2006/03/07 |   |                               |                        |  |  |
|  |                                      | 1 PLACE ± --- ± ---                   | ANGULAR ± 1°         | APPROVED BY<br>SMIGO            | DATE<br>2006/03/07 | MATERIAL NO.  |                               | MOLEX INCORPORATED     |  |  |
| DRAFT WHERE APPLICABLE MUST REMAIN WITHIN DIMENSIONS   | SEE TABLE                            | DOCUMENT NO.<br>SD-106154-001         |                      | SHEET NO.<br>4 OF 10            |                    | THIS DRAWING CONTAINS INFORMATION THAT IS PROPRIETARY TO MOLEX INCORPORATED AND SHOULD NOT BE USED WITHOUT WRITTEN PERMISSION |                               |                        |  |  |

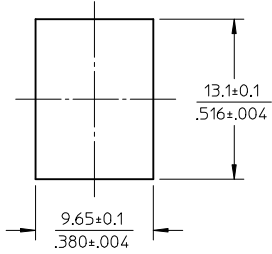
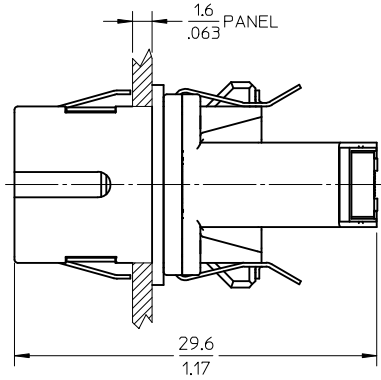
| ADAPTER P/N | STYLE | TYPE        | SLEEVE MAT'L | MODULE COLOR |
|-------------|-------|-------------|--------------|--------------|
| 1061541020  | SC-ST | SINGLE MODE | ZIRCONIA     | BLUE         |
| 1061541021  |       | MULTIMODE   | PHOS BRONZE  | BEIGE        |



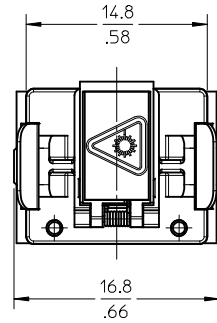
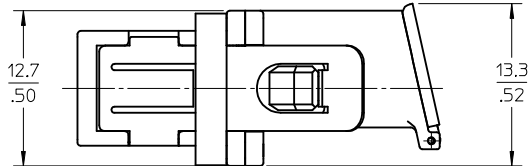
- NOTES:
- ALL DIMENSIONS ARE FOR REFERENCE ONLY.
  - PACKAGING: ADAPTERS AND DUSTCAPS ARE PACKED IN A PLASTIC TRAY.

|  |                                      |  |         |   |                    |   |                        |                        |  |  |
|--|--------------------------------------|--|---------|---|--------------------|---|------------------------|------------------------|--|--|
| <b>ENTER DESCRIPTION</b><br>EC NO: MF2010-0212<br>DRAWN: SERNST 2009/11/09<br>CHKD: 2009/11/11<br>APPR: SMIGO 2009/11/11 | <b>QUALITY SYMBOLS</b><br>▽=0<br>▽=0 | <b>GENERAL TOLERANCES (UNLESS SPECIFIED)</b> |         | <b>DIMENSION STYLE</b><br>MM/IN   |                    | SCALE<br>2.5:1  | DESIGN UNITS<br>METRIC | THIRD ANGLE PROJECTION |  |  |
|  |                                      | 4 PLACES ± --- ± ---                         | mm INCH | DRAWN BY<br>SERNST  | DATE<br>2006/02/13 | TITLE<br>UNIVERSAL EMI ADAPTER  |                        |                        |  |  |
|  |                                      | 3 PLACES ± --- ± ---                         |         | CHECKED BY<br>DSZILAGYI   | DATE<br>2006/03/07 |   |                        |                        |  |  |
|  |                                      | 2 PLACES ± --- ± ---                         |         | APPROVED BY<br>SMIGO  | DATE<br>2006/03/07 | MATERIAL NO. SEE TABLE<br>DOCUMENT NO. SD-106154-001<br>SHEET NO. 5 OF 10 |                        |                        |  |  |
| 1 PLACE ± --- ± ---  |                                      | ANGULAR ± 1°                                 |         |   |                    |   |                        |                        |  |  |
| DRAFT WHERE APPLICABLE MUST REMAIN WITHIN DIMENSIONS   |                                      | MATERIAL NO. SEE TABLE                       |         | THIS DRAWING CONTAINS INFORMATION THAT IS PROPRIETARY TO MOLEX INCORPORATED AND SHOULD NOT BE USED WITHOUT WRITTEN PERMISSION |                    |   |                        |                        |  |  |

| ADAPTER P/N | STYLE | TYPE     | SLEEVE MAT'L | MODULE COLOR |
|-------------|-------|----------|--------------|--------------|
| 1061541030  | SC-LC | SM OR MM | NICKEL       | BEIGE        |



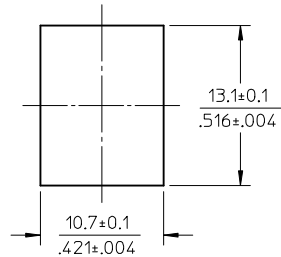
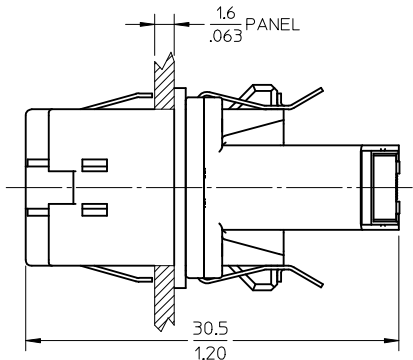
RECOMMENDED MOUNTING CUTOUT  
(1.6mm THICK PANEL)



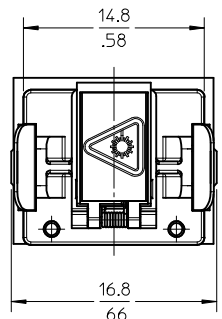
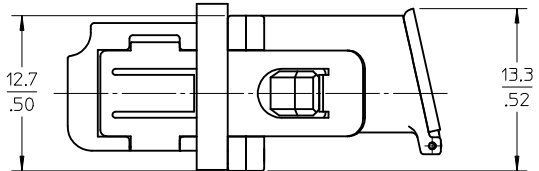
- NOTES:  
 1. ALL DIMENSIONS ARE FOR REFERENCE ONLY.  
 2. PACKAGING: ADAPTERS AND DUSTCAPS ARE PACKED IN A PLASTIC TRAY.

|  |                               |   |                      |                          |                    |                                |                        |                        |  |  |
|--|-------------------------------|---|----------------------|--------------------------|--------------------|--------------------------------|------------------------|------------------------|--|--|
| ENTER DESCRIPTION<br>EC NO: MF2010-0212<br>DRAWN: SERNST<br>CHKD: DSZILAGYI<br>APPR: SMIGO | QUALITY SYMBOLS<br>▽=0<br>▽=0 | GENERAL TOLERANCES (UNLESS SPECIFIED)   |                      | DIMENSION STYLE<br>MM/IN |                    | SCALE<br>2.5:1                 | DESIGN UNITS<br>METRIC | THIRD ANGLE PROJECTION |  |  |
|  |                               | 4 PLACES ± --- ± ---  | mm INCH              | DRAWN BY<br>SERNST       | DATE<br>2006/02/13 | TITLE<br>UNIVERSAL EMI ADAPTER |                        |                        |  |  |
|  |                               | 3 PLACES ± --- ± ---  | 2 PLACES ± --- ± --- | CHECKED BY<br>DSZILAGYI  | DATE<br>2006/03/07 |                                |                        |                        |  |  |
|  |                               | 1 PLACE ± --- ± ---   | ANGULAR ± 1 °        | APPROVED BY<br>SMIGO     | DATE<br>2006/03/07 | MATERIAL NO.                   |                        | MOLEX INCORPORATED     |  |  |
| DRAFT WHERE APPLICABLE MUST REMAIN WITHIN DIMENSIONS                                       | SEE TABLE                     | DOCUMENT NO.<br>SD-106154-001   |                      | SHEET NO.<br>6 OF 10     |                    |                                |                        |                        |  |  |
| A4   | REV                           | THIS DRAWING CONTAINS INFORMATION THAT IS PROPRIETARY TO MOLEX INCORPORATED AND SHOULD NOT BE USED WITHOUT WRITTEN PERMISSION |                      |                          |                    |                                |                        |                        |  |  |

| ADAPTER P/N | STYLE     | TYPE        | SLEEVE MAT'L    | MODULE COLOR |
|-------------|-----------|-------------|-----------------|--------------|
| 1061541530  | LC-LC     | SINGLE MODE | ZIRCONIA        | BLUE         |
| 1061541535  | LC-LC/APC |             |                 | GREEN        |
| 1061541531  | LC-LC     | MULTIMODE   | PHOSPHOR BRONZE | BEIGE        |



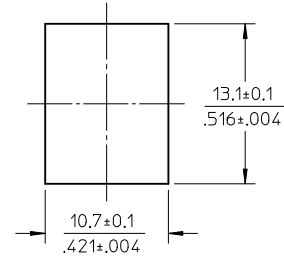
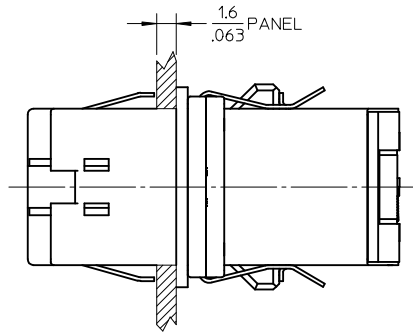
RECOMMENDED MOUNTING CUTOUT  
(1.6mm THICK PANEL)



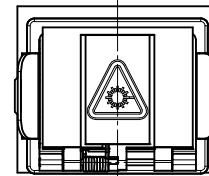
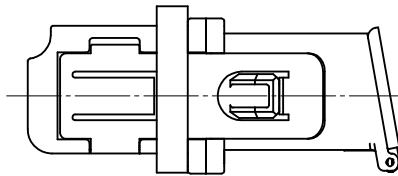
NOTES:  
1. ALL DIMENSIONS ARE FOR REFERENCE ONLY.  
2. PACKAGING: ADAPTERS AND DUSTCAPS ARE PACKED IN A PLASTIC TRAY.

|   |   |   |   |  |                                |
|---|---|---|---|--|--------------------------------|
| <b>ENTER DESCRIPTION</b><br>EC NO: MF2010-0212<br>DRWN:SERNST 2009/11/09<br>CHKD: 2009/11/11<br>APPR:SMIGO 2009/11/11<br>A4 | QUALITY SYMBOLS<br>▽=0<br>▽=0   | GENERAL TOLERANCES (UNLESS SPECIFIED)<br>mm INCH<br>4 PLACES ± --- ± ---<br>3 PLACES ± --- ± ---<br>2 PLACES ± --- ± ---<br>1 PLACE ± --- ± ---<br>ANGULAR ± 1° | DIMENSION STYLE<br>MM/IN<br>DRAWN BY DATE<br>SERNST 2006/02/13<br>CHECKED BY DATE<br>DSZILAGYI 2006/03/07<br>APPROVED BY DATE<br>SMIGO 2006/03/07 | SCALE<br>2.5:1<br>DESIGN UNITS<br>METRIC<br>THIRD ANGLE PROJECTION | TITLE<br>UNIVERSAL EMI ADAPTER |
|   | DRAFT WHERE APPLICABLE MUST REMAIN WITHIN DIMENSIONS  |   | MATERIAL NO.<br>SEE TABLE   | DOCUMENT NO.<br>SD-106154-001                                      | SHEET NO.<br>7 OF 10           |
|   | THIS DRAWING CONTAINS INFORMATION THAT IS PROPRIETARY TO MOLEX INCORPORATED AND SHOULD NOT BE USED WITHOUT WRITTEN PERMISSION |   |   |  |                                |
|   | MOLEX INCORPORATED  |   |   |  |                                |
|   | MILEX   |   |   |  |                                |

| ADAPTER P/N | STYLE | TYPE     | SLEEVE MAT'L | MODULE COLOR |
|-------------|-------|----------|--------------|--------------|
| 1061541500  | LC-SC | SM OR MM | NICKEL       | BEIGE        |



RECOMMENDED MOUNTING CUTOUT  
(1.6mm THICK PANEL)

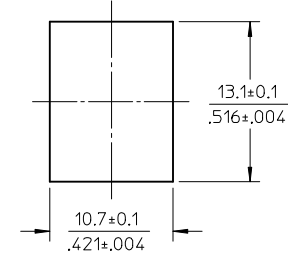
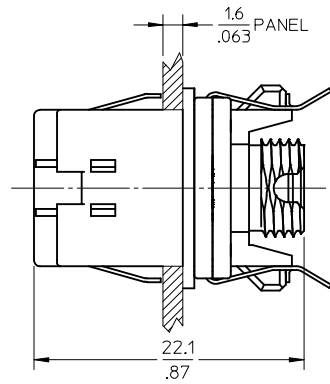


- NOTES:
1. ALL DIMENSIONS ARE FOR REFERENCE ONLY.
  2. PACKAGING: ADAPTERS AND DUSTCAPS ARE PACKED IN A PLASTIC TRAY.

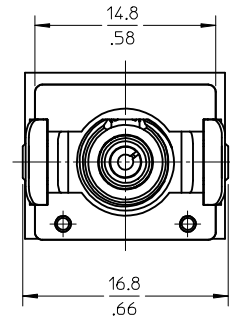
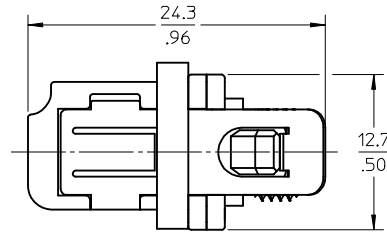
|   |  |   |                           |   |                                       |                               |                        |  |
|---|--|---|---------------------------|---|---------------------------------------|-------------------------------|------------------------|--|
| <b>ENTER DESCRIPTION</b><br>EC NO: MF2010-0212<br>DRWN:SERNST 2009/11/09<br>CHKD: 2009/11/11<br>APPR:SMIGO 2009/11/11 | QUALITY SYMBOLS<br>▽=0<br>▽=0                        | GENERAL TOLERANCES (UNLESS SPECIFIED)   |                           | DIMENSION STYLE<br><b>MM/IN</b>         | SCALE<br><b>2.5:1</b>                 | DESIGN UNITS<br><b>METRIC</b> | THIRD ANGLE PROJECTION |  |
|   |  | 4 PLACES ± --- ± ---<br>3 PLACES ± --- ± ---<br>2 PLACES ± --- ± ---<br>1 PLACE ± --- ± ---                                   | mm INCH                   | DRAWN BY DATE<br>SERNST 2006/02/13      | TITLE<br><b>UNIVERSAL EMI ADAPTER</b> |                               |                        |  |
|   |  | ANGULAR ± 1 °   |                           | CHECKED BY DATE<br>DSZILAGYI 2006/03/07 | MOLEX INCORPORATED                    |                               |                        |  |
|   | DRAFT WHERE APPLICABLE MUST REMAIN WITHIN DIMENSIONS |   | MATERIAL NO.<br>SEE TABLE | APPROVED BY DATE<br>SMIGO 2006/03/07    | DOCUMENT NO.<br>SD-106154-001         | SHEET NO.<br>8 OF 10          |                        |  |
| A4  | REV  | THIS DRAWING CONTAINS INFORMATION THAT IS PROPRIETARY TO MOLEX INCORPORATED AND SHOULD NOT BE USED WITHOUT WRITTEN PERMISSION |                           |   |                                       |                               |                        |  |



| ADAPTER P/N | STYLE | TYPE     | SLEEVE MAT'L | MODULE COLOR |
|-------------|-------|----------|--------------|--------------|
| 1061541510  | LC-FC | SM OR MM | NICKEL       | BEIGE        |



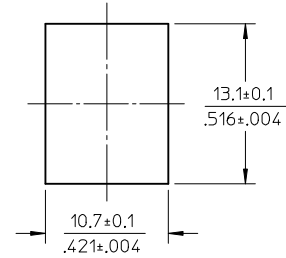
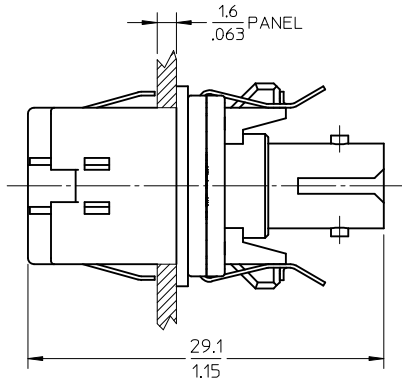
RECOMMENDED MOUNTING CUTOUT  
(1.6mm THICK PANEL)



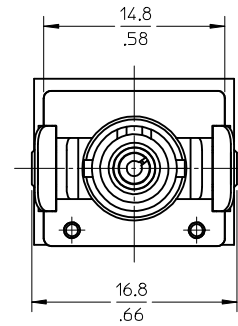
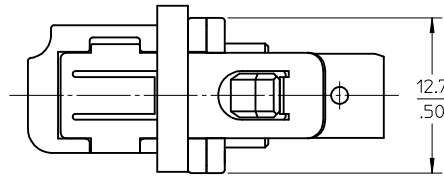
- NOTES:  
1. ALL DIMENSIONS ARE FOR REFERENCE ONLY.  
2. PACKAGING: ADAPTERS AND DUSTCAPS ARE PACKED IN A PLASTIC TRAY.

|  |                               |   |  |   |                                |                      |                        |                        |  |
|--|-------------------------------|---|--|---|--------------------------------|----------------------|------------------------|------------------------|--|
| <b>ENTER DESCRIPTION</b><br>EC NO: MF2010-0212<br>DRAWN: SERNST 2009/11/09<br>CHKD: 2009/11/11<br>APPR: SMIGO 2009/11/11 | QUALITY SYMBOLS<br>▽=0<br>▽=0 | GENERAL TOLERANCES (UNLESS SPECIFIED)   |  | DIMENSION STYLE<br>MM/IN                |                                | SCALE<br>2.5:1       | DESIGN UNITS<br>METRIC | THIRD ANGLE PROJECTION |  |
|  |                               | 4 PLACES ± --- ± ---<br>3 PLACES ± --- ± ---<br>2 PLACES ± --- ± ---<br>1 PLACE ± --- ± --- | mm INCH  | DRAWN BY DATE<br>SERNST 2006/02/13      | TITLE<br>UNIVERSAL EMI ADAPTER |                      |                        |                        |  |
|  |                               | ANGULAR ± 1°  | DRAFT WHERE APPLICABLE MUST REMAIN WITHIN DIMENSIONS | CHECKED BY DATE<br>DSZILAGYI 2006/03/07 | MOLEX INCORPORATED             |                      |                        |                        |  |
|  | A4                            | SEE TABLE   | MATERIAL NO.   | APPROVED BY DATE<br>SMIGO 2006/03/07    | DOCUMENT NO.<br>SD-106154-001  | SHEET NO.<br>9 OF 10 |                        |                        |  |

| ADAPTER P/N | STYLE | TYPE     | SLEEVE MAT'L | MODULE COLOR |
|-------------|-------|----------|--------------|--------------|
| 1061541520  | LC-ST | SM OR MM | NICKEL       | BEIGE        |



RECOMMENDED MOUNTING CUTOUT  
(1.6mm THICK PANEL)



- NOTES:
- ALL DIMENSIONS ARE FOR REFERENCE ONLY.
  - PACKAGING: ADAPTERS AND DUSTCAPS ARE PACKED IN A PLASTIC TRAY.

|   |                               |                                       |          |                          |             |   |  |                          |  |  |
|---|-------------------------------|---------------------------------------|----------|--------------------------|-------------|---|--|--------------------------|--|--|
| <b>ENTER DESCRIPTION</b><br>EC NO: MF2010-0212<br>DRWN:SERNST 2009/11/09<br>CHKD: 2009/11/11<br>APPR:SMIGO 2009/11/11 | QUALITY SYMBOLS<br>▽=0<br>▽=0 | GENERAL TOLERANCES (UNLESS SPECIFIED) |          | DIMENSION STYLE<br>MM/IN |             | SCALE<br>2.5:1  | DESIGN UNITS<br>METRIC   | THIRD ANGLE PROJECTION   |  |  |
|   |                               |                                       | mm       | INCH                     | DRAWN BY    | DATE  | TITLE<br>UNIVERSAL EMI ADAPTER   |                          |  |  |
|   |                               |                                       |          |                          | SERNST      | 2006/02/13  |  |                          |  |  |
|   |                               |                                       | 4 PLACES | ± ---                    | ± ---       | CHECKED BY  | DATE   | Molex MOLEX INCORPORATED |  |  |
|   |                               | 3 PLACES                              | ± ---    | ± ---                    | DSZILAGYI   | 2006/03/07  |  |                          |  |  |
|   |                               | 2 PLACES                              | ± ---    | ± ---                    | APPROVED BY | DATE  | MATERIAL NO. SEE TABLE<br>DOCUMENT NO. SD-106154-001<br>SHEET NO. 10 OF 10 |                          |  |  |
|   |                               | 1 PLACE                               | ± ---    | ± ---                    | SMIGO       | 2006/03/07  |  |                          |  |  |
| DRAFT WHERE APPLICABLE MUST REMAIN WITHIN DIMENSIONS  |                               | ANGULAR ± 1°                          |          | SIZE B                   |             | THIS DRAWING CONTAINS INFORMATION THAT IS PROPRIETARY TO MOLEX INCORPORATED AND SHOULD NOT BE USED WITHOUT WRITTEN PERMISSION |  |                          |  |  |