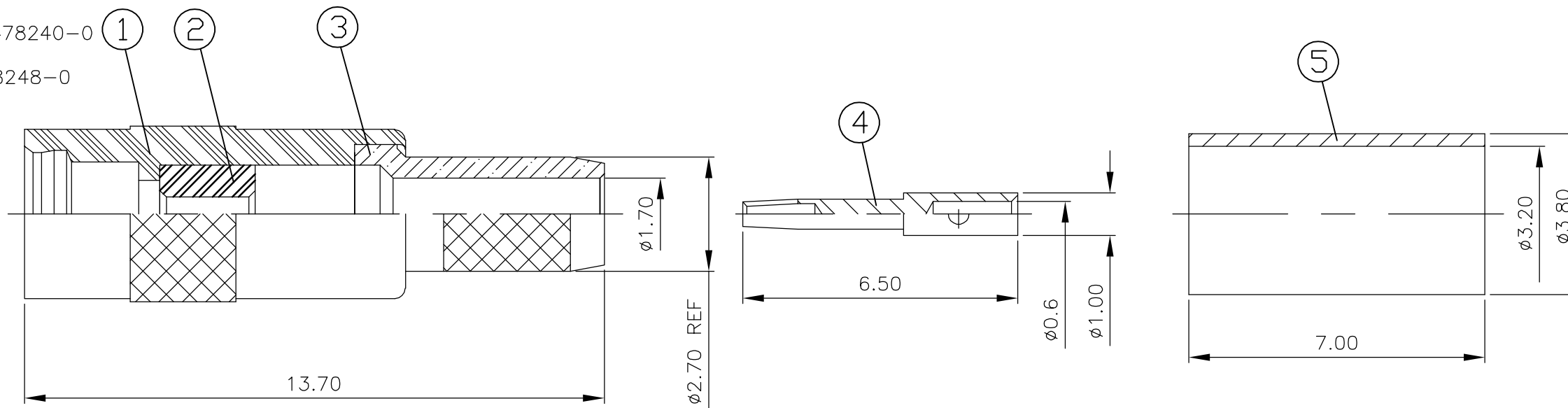


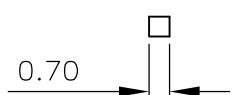
LOC	DIST	REVISIONS					
E	B	P	LTR	DESCRIPTION	DATE	DWN	APVD
		B		EBD0-0248-03	12NOV03	JMS	FWK

- 1 SINGLE PACK IN ACCORDANCE WITH SPEC 107-3275
- 2 100 TRAY PACK IN ACCORDANCE WITH SPEC 107-3275
- 3 0.76µm Au PLATING OVER 1.27µm Ni PLATING OVER 0.76µm Cu PLATING
- 4 0.08µm Au PLATING OVER 1.27µm Ni PLATING OVER 0.76µm Cu PLATING

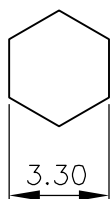
- 5 HANDTOOL 9-1478240-0
- 6 DIE SET 9-1478248-0



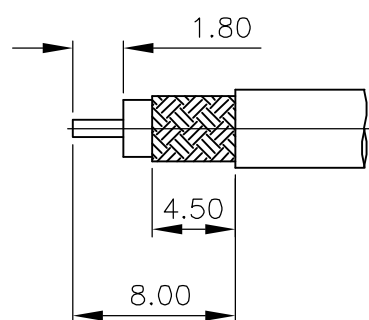
RECOMMENDED
CENTRE CONTACT
A/F SQR



RECOMMENDED
CRIMP SLEEVE
A/F HEX



RECOMMENDED
CABLE STRIPPING DIM'S



QTY	QTY	MATERIAL	DESCRIPTION	ITEM
1	1	BRASS	CRIMP SLEEVE	5
1	1	BERYLLIUM COPPER	SOCKET	4
1	1	BRASS	BODY	3
1	1	PTFE	INSULATOR	2
1	1	BRASS	BODY	1
6--0	1--0	MATERIAL	DESCRIPTION	ITEM
2	1			

QUANTITY PER ASSY PARTS LIST

THIS DRAWING IS A CONTROLLED DOCUMENT.		DWN J.SANDWELL 12NOV03	 Tyco Electronics Corporation Stanmore, Middlesex, HA7 4RS	
DIMENSIONS: MM		CHK S.PARLOW 12NOV03		
TOLERANCES UNLESS OTHERWISE SPECIFIED:		APVD F.WHEELER-KING 12NOV03	NAME MMCX STRAIGHT JACK CRIMP RG174 50 OHMS	
0 PLC ± -		PRODUCT SPEC 108-3462	SIZE A3	
1 PLC ± -		APPLICATION SPEC 411-3278	CAGE CODE 00779	DRAWING NO C-1634004
2 PLC ± -		WEIGHT -	RESTRICTED TO -	
3 PLC ± -		CUSTOMER DRAWING		
4 PLC ± -		SCALE NTS		
ANGLES ± -		SHEET 1 OF 1		
MATERIAL SEE TABLE	FINISH SEE TABLE	REV B		