

Terminal outlet - VS-TO-RO-MCBK-F1417/1417 - 1404320

Please be informed that the data shown in this PDF Document is generated from our Online Catalog. Please find the complete data in the user's documentation. Our General Terms of Use for Downloads are valid (<http://phoenixcontact.com/download>)

Terminal outlet SC-RJ IP65/67 Push-Pull, 2 slots version 14, with protective plugs, 2 cable entries



Terminal outlet 2 x SC-RJ

Product Features

- Easy installation, thanks to captive cover screws
- Robust design
- Including covers to protect against environmental influences
- Integrated cable management system
- For connection of 2 x SC-RJ IP65/67 push-pull connectors



Key commercial data

| | |
|--------------------------------------|-----------|
| Packing unit | 1 pc |
| Weight per Piece (excluding packing) | 695.0 GRM |
| Custom tariff number | 85369085 |
| Country of origin | Germany |

Technical data

Mechanical characteristics

| | |
|-----------------|---------------|
| Number of slots | 2 |
| Fiber | POF, PCF, GOF |
| Color | black |

Ambient conditions

| | |
|---------------------------------|------------------|
| Ambient temperature (operation) | -40 °C ... 70 °C |
| Degree of protection | IP65/IP67 |

Material data

Terminal outlet - VS-TO-RO-MCBK-F1417/1417 - 1404320

Technical data

Material data

| | |
|------------------|------------------------------------|
| Housing material | Aluminum cast alloy, powder-coated |
|------------------|------------------------------------|

Classifications

eCl@ss

| | |
|------------|----------|
| eCl@ss 4.0 | 272607xx |
| eCl@ss 4.1 | 27260701 |
| eCl@ss 5.0 | 27260701 |
| eCl@ss 5.1 | 27259205 |
| eCl@ss 6.0 | 27269202 |
| eCl@ss 7.0 | 27449203 |

ETIM

| | |
|----------|----------|
| ETIM 3.0 | EC001121 |
| ETIM 4.0 | EC002598 |
| ETIM 5.0 | EC002598 |

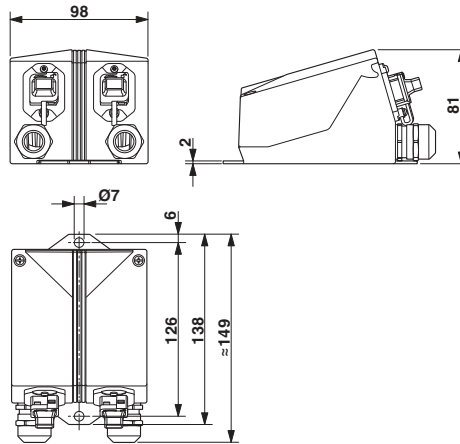
UNSPSC

| | |
|---------------|----------|
| UNSPSC 6.01 | 31261501 |
| UNSPSC 7.0901 | 31261501 |
| UNSPSC 11 | 31261501 |
| UNSPSC 12.01 | 31261501 |
| UNSPSC 13.2 | 31261501 |

Drawings

Terminal outlet - VS-TO-RO-MCBK-F1417/1417 - 1404320

Dimensioned drawing



Terminal outlet 2 x SC-RJ