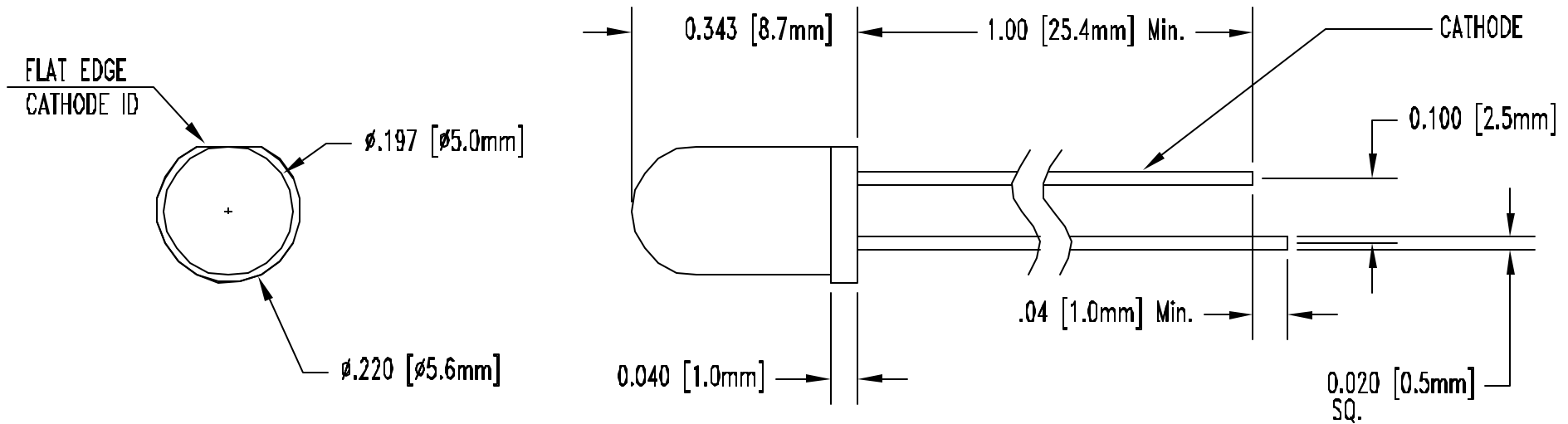


REV	DESCRIPTION	DATE	APPROVED
A	ENGINEERING RELEASE	11/22/02	MC



LED PART NO.	Chip		LENS APPEARANCE	Absolute Maximum Ratings				Electro-Optical Data @ 100mA				Viewing Angle (Deg)		
	MATERIAL	PEAK WAVE λ_P (nm)		$\Delta\lambda$ (nm)	pd (mW)	If (mA)	Peak If (mA)	Vf (V)		Radiant Power @ mW/cm ²			Tr (ns)	Tf (ns)
								Typ.	Max.	Min.	Typ.			
SIRC-940-F	GaAs/GaAs	940	WATER CLEAR	50	150	50	250	1.4	1.6	7.0	13.0	500	200	15

ABSOLUTE MAXIMUM RATINGS ($T_a = 25^\circ\text{C}$)

PEAK FORWARD CURRENT _____ PULSE WIDTH=10 μ s
10% DUTY CYCLE

OPERATING TEMPERATURE RANGE _____ $-45^\circ\text{C} \sim 85^\circ\text{C}$

STORAGE TEMPERATURE _____ $-45^\circ\text{C} \sim 100^\circ\text{C}$

LEAD SOLDERING TEMPERATURE(1/16" FROM BODY) _____ 250°C FOR 5 SECONDS

UNLESS OTHERWISE SPECIFIED:
DIMENSIONS ARE IN INCHES
TOLERANCES

DECIMALS	ANGULAR
.X $\pm .1$	$^\circ \pm 1'$
.XX $\pm .01$	
.XXX $\pm .005$	

Bivar[®]
4 THOMAS, IRVINE, CA.92618
TEL: (949) 951-8808 FAX: (949) 951-3074

PART NAME:
T-1 3/4 (5mm) Infrared ED, Transmitter

DESIGNER: Michael Chen DATE: 11/22/02
CHECKER: D. Green DATE: 11/22/02

SCALE: 4=1
CAGE CODE: 32559
SHEET 1 OF 1