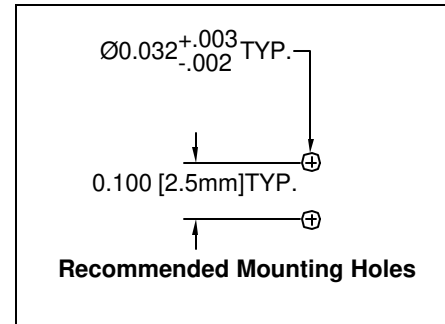
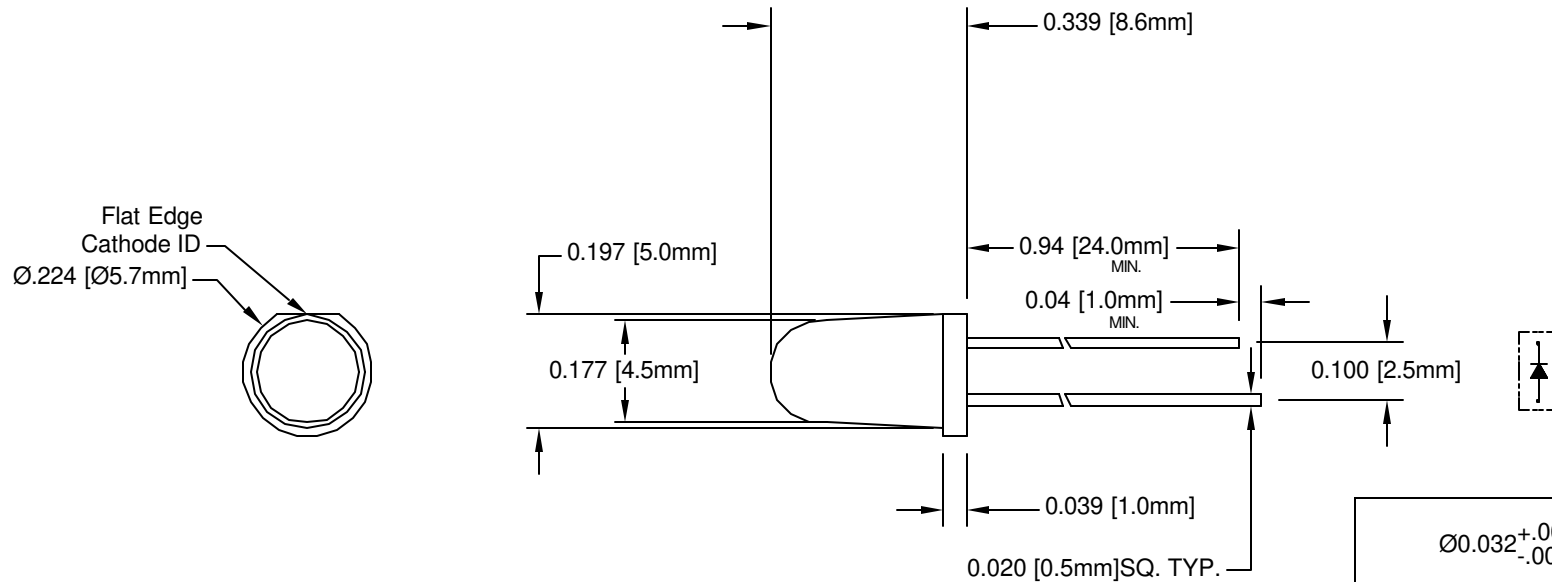


REV.	DESCRIPTION	DATE	APPROVED
A	Engineering Release.	04/05/06	M. C.



LED Part No.	Chip			Lens Appearance	Absolute Maximum Ratings				Electro-Optical Data @ 20mA			Viewing Angle (Deg)
	Material	Peak Wave Length $\lambda_p$ (nm)	Emitted Color		$\Delta\lambda$ (nm)	Pd (mW)	If (mA)	Peak If (mA)	Vf (V)		Iv (mcd)	
									Typ.	Max.	Typ.	
5HC-8-F	GaAsP/GaAs	635	RED	WATER CLEAR	45	80	30	150	2.0	2.6	180	8

## ABSOLUTE MAXIMUM RATINGS (Ta = 25°C)

REVERSE VOLTAGE \_\_\_\_\_ 5V  
REVERSE CURRENT ( VR=5V) \_\_\_\_\_ 100 $\mu$ A  
OPERATING TEMPERATURE RANGE \_\_\_\_\_ -25°C ~ 85°C  
STORAGE TEMPERATURE \_\_\_\_\_ -30°C ~ 100°C  
LEAD SOLDERING TEMPERATURE (1/16" FROM BODY) \_\_\_\_\_ 260°C for 5 Seconds

STANDARD TOLERANCE ( UNLESS OTHERWISE SPECIFIED )			<b>BIVAR</b> <sup>®</sup> 4 THOMAS, IRVINE, CA. 92618 TEL: (949) 951-8808 FAX: (949) 951-3974
DECIMALS	ANGULAR		
.X $\pm .1$	X° $\pm 1^\circ$		
.XX $\pm .02$			
.XXX $\pm .010$			
DESIGNED: <b>Sonny Dam</b>	DATE: <b>04/05/06</b>	TITLE: T-1 3/4 (5mm) Narrow Viewing Angle 5° $\varnothing$	
CHECKED: <b>T. Yin</b>	DATE: <b>04/05/06</b>	PART NO: <b>5HC-8-F</b>	REVISION: <b>A</b>
		CAGE CODE : <b>32559</b>	SHEET # <b>1 OF 1</b>
CAD GENERATED DOCUMENT, DO NOT MEASURE DRAWING.			