

ADP-2.4F-2.92M 2.4 mm Jack to 2.92 mm Plug Adapter

The ADP-2.4F-2.92M is a 2.4 mm jack to 2.92 mm plug adapter. Operating from 0 Hz to 40 GHz, the ADP-2.4F-2.92M combines superior performance, compact size, and a convenient threaded mating interface to provide a reliable, easy-to-use adapter. Linx 2.4 mm and 2.92 mm adapters are ideal for precision applications. Additionally, all Linx adapters meet RoHS lead free standards and are tested to meet requirements for corrosion resistance, vibration, mechanical and thermal shock.



Features

- 0 Hz to 40 GHz operation
- Passivated stainless steel body
 - Superior corrosion resistance
- 2.4 mm jack (female socket) connection
 - Gold plated beryllium copper center contact
- 2.92 mm plug (male pin) connection
 - Gold plated beryllium copper center contact

Applications

- Radar, Satellite Communications, Experimental
- Industrial, Commercial, Enterprise
- Test and measurement

Table 1. Electrical Specifications

Parameter	Value
Impedance	50 Ω
Frequency Range	0 to 40 GHz
Contact Resistance	Center: ≤ 6.0 m Ω Outer: ≤ 2.0 m Ω
Insertion Loss (dB max.)	1.0
VSWR (max.)	1.2

Ordering Information

Part Number	Description
ADP-2.4F-2.92M	2.4 mm jack (female socket) to 2.92 mm plug (male pin) adapter

Available from Linx Technologies and select distributors and representatives.

Product Dimensions

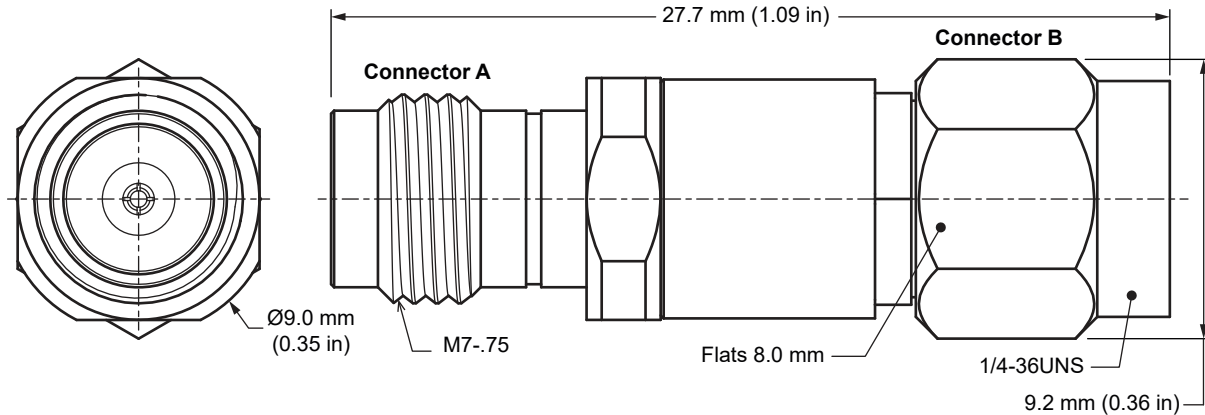


Figure 1. Product Dimensions for the ADP-2.4F-2.92M Adapter

Table 2. Adapter Components

ADP-2.4F-2.92M	Connector A 2.4 mm jack (female socket)		Connector B 2.92 mm plug (male pin)	
Connector Part	Material	Finish	Material	Finish
Body	Stainless Steel	Passivated*	Stainless Steel	Passivated*
Center Contact	Beryllium Copper	Gold	Beryllium Copper	Gold
Insulator	Air	-	Air	-

*Use of stainless steel tools may damage passivated finish.

Adapter Performance

Table 3 shows insertion loss and VSWR values for the ADP-2.4F-2.92M adapter at commonly used frequencies.

Insertion loss is the loss of signal power (gain) resulting from the insertion of a device in a transmission line. VSWR describes how efficiently power is transmitted through the adapter. A lower VSWR value indicates better performance at a given frequency.

Table 3. Insertion Loss and VSWR for the ADP-2.4F-2.92M Adapter

Band	Ku	K	Ka
Frequency Range	12 GHz to 18 GHz	18 GHz to 27 GHz	27 GHz to 40 GHz
Insertion Loss (dB max.)	0.8	0.9	0.9
VSWR (max.)	1.1	1.2	1.2

Table 4. Mechanical Specifications

ADP-2.4F-2.92M	Connector A 2.4 mm jack (female socket)	Connector B 2.92 mm plug (male pin)
Mounting Type	Inline, Free-hanging	
Fastening Type	M7 Threaded Coupling	1/4-36UNS Threaded Coupling
Interface in Accordance with	IEC-61169-40	IEC-61169-40
Durability	500 cycles min.	500 cycles min.
Recommended Torque	8.0 in.-lbs	8.0 in.-lbs
Weight	7.1 g (0.25 oz)	

Table 5. Environmental Specifications

MIL-STD, Method, Test Condition	
Corrosion (Salt spray)	MIL-STD-202 Method 101 test condition B
Thermal Shock	MIL-STD-202 Method 107 test condition C
Vibration	MIL-STD-202 Method 204 test condition B
Mechanical Shock	MIL-STD-202 Method 213 test condition B
Moisture Resistance	MIL-STD-202 Method 106 test condition D
Temperature Range	-40 °C to +105 ° C
Environmental Compliance	RoHS

Packaging Information

The ADP-2.4F-2.92M adapter is placed in an ESD safe plastic bag and sealed in Polyethylene bags of 25 pcs. Four bags (100 pcs.) are packaged in a box. Distribution channels may offer alternative packaging options. The 2.4mm connector end is protected by a blue LDPE plastic cap and the 2.92mm connector end is protected by a clear LDPE plastic cap.

Website: <http://linxtechnologies.com>
Linx Offices: 159 Ort Lane, Merlin, OR, US 97532
Phone: +1 (541) 471-6256
E-MAIL: info@linxtechnologies.com

Linx Technologies reserves the right to make changes to the product(s) or information contained herein without notice. No liability is assumed as a result of their use or application. No rights under any patent accompany the sale of any such product(s) or information.

Wireless Made Simple is a registered trademark of Linx Acquisitions LLC. Other product and brand names may be trademarks or registered trademarks of their respective owners.

Copyright © 2022 Linx Technologies

All Rights Reserved

Doc# DS22210-251CON

