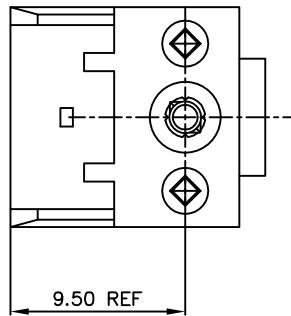
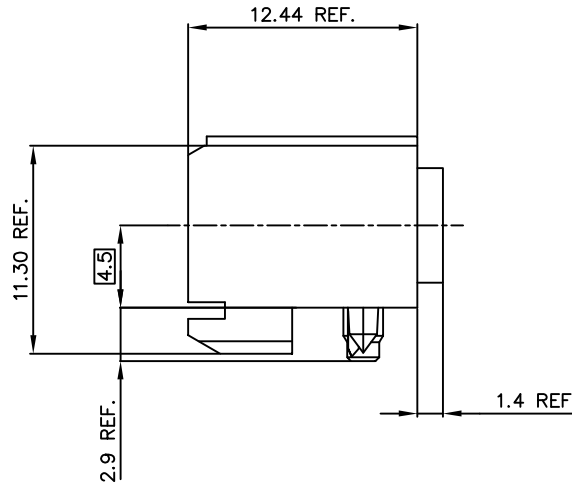
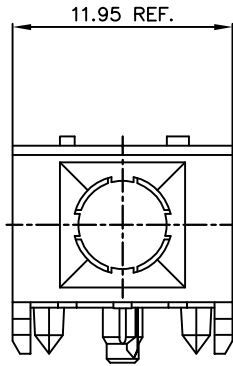
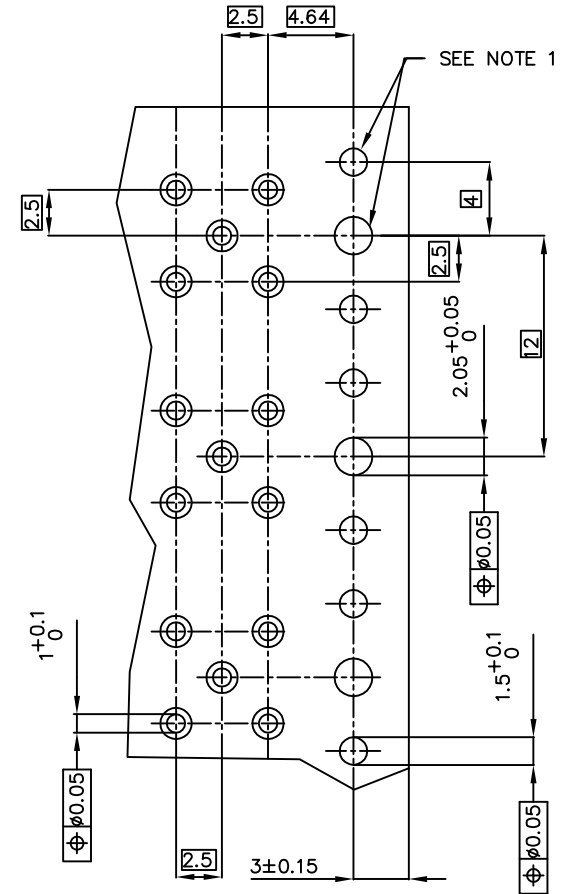
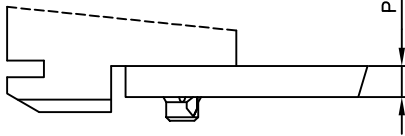


PRODUCT #	PCB THICKNES
89092-101LF	1.6 & 2.4



PRODUCT AFTER PC BOARD APPLICATION.

PC BOARD THICKNESS ± 0.20
SEE TABLE



RECOMMENDED HOLE PATTERN,
COMPONENT SIDE.

NOTES:

- INDICATED HOLES ARE UNPLATED.
- MATERIAL: LIQUID CRYSTAL POLYMER 30% GLASS FLAME RETARDANT ACC. UL 94-00 COLOR NATURAL.
- THIS PRODUCT WITH "LF" SUFFIX MEETS EUROPEAN UNION DIRECTIVES AND OTHER COUNTRY REGULATIONS AS DESCRIBED IN GS -22-008.
- THE HOUSING WILL WITHSTAND EXPOSURE TO 260 DEGREE PEAK TEMPERATURE FOR 20 SECONDS IN WAVE SOLDER APPLICATION WITH A 1.6 MM MINIMUM THICK CIRCUIT BOARD.

mat'l. code SEE NOTE 2		tolerances unless otherwise specified		CUSTOMER COPY	ELECTRONICS www.fciconnect.com	
ltr	ecn no dr date	linear		projection	title	code
A	H40355 DDB 940616			ϕ	RA FEMALE HSG	213
B	H50047 RVI 950119				HYBRID 12MM PRESS PEG	1 of 1
C	H90478 DDB 990816	angles		mm	product family	
D	p005-0383 CLU 051011	dr	H.Bouwknegt 931206	scale	size	dwg no
E	p005-0406 CLU 051027	eng	D.Andrews 950119	5:1	A2	89092
		chr	D.Andrews 950119			
		app	H.Coolijmans 950119			
sheet	revision					
1	E					

PDM: Rev: E

STATUS: Released

Printed: May 19, 2011