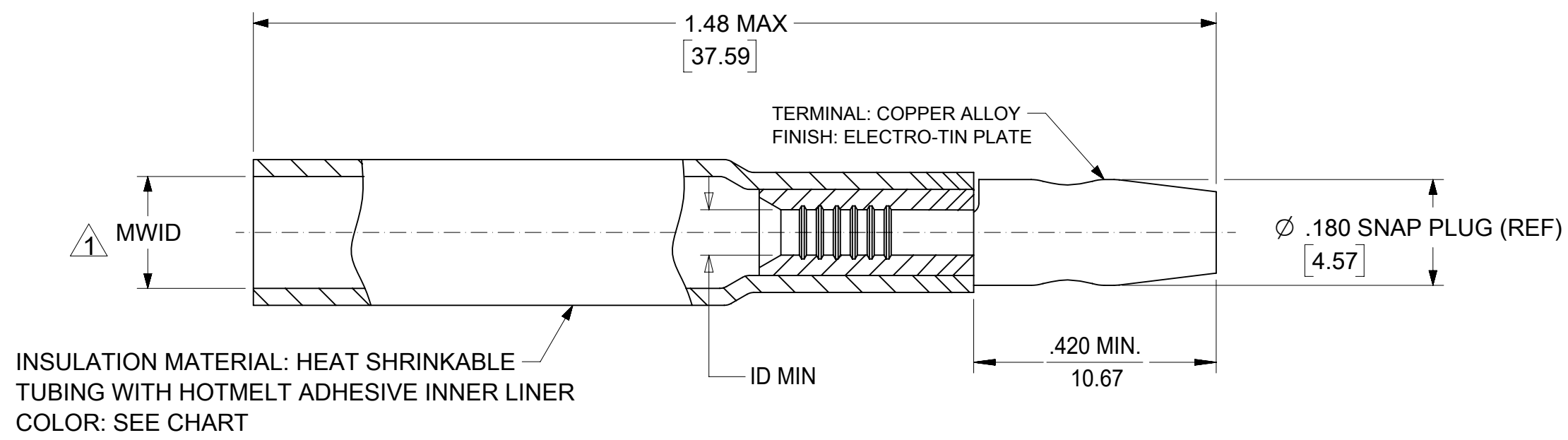
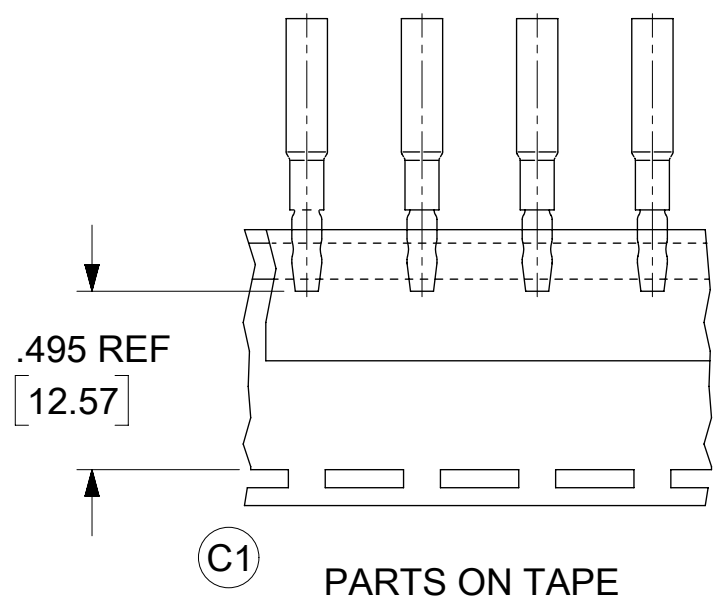


MAT'L NO.	ENG NO.	MAT'L NO. (TAPE)	ENG NO. (TAPE)	WIRE AWG	MWID	ID MIN	INSULATION COLOR
191640009	SA-259	----	----	22 - 18	.235 (5.97)	.054 (1.35)	RED
191640039	SA-279	191640314	SB-279T	16 - 14	.230 (5.84)	.080 (2.03)	BLUE



NOTE(S):
 1 MWID: MAXIMUM WIRE INSULATION DIAMETER
 2. PART IS RoHS COMPLIANT.

FUNCTIONAL SYMBOLS FA = 0 FE = 0 FP = 0	THIS DRAWING CONTAINS INFORMATION THAT IS PROPRIETARY TO MOLEX ELECTRONIC TECHNOLOGIES, LLC AND SHOULD NOT BE USED WITHOUT WRITTEN PERMISSION		CURRENT REV DESC: ADD TAPE DETAIL & PN: 191640314 (SB-279T)		molex		
	DIMENSION UNITS	SCALE					
	INCH/MM	1:1	GENERAL TOLERANCES (UNLESS SPECIFIED)		.180/4.57 SNAP PLUG NIAC 22-18 16-14 AWG		
			4 PLACES ±	MM	INCH	EC NO: 686478	2021/11/23
DIVISIONAL SYMBOLS	3 PLACES ±	± 0.01	DRWN: DMYRICK		2021/11/23		
	2 PLACES ±	± 0.25	± 0.02	CHKD: JMACNEIL		2021/11/23	
	1 PLACE ±	± 0.5	±	APPR: JMACNEIL		2021/11/23	
	0 PLACES ±	±	±	INITIAL REVISION:			
	ANGULAR TOL	± 1.0°	DRWN: BENDERLE		2004/09/10		
			APPR: RDEROSS		2004/09/13		
DRAFT WHERE APPLICABLE MUST REMAIN WITHIN DIMENSIONS		THIRD ANGLE PROJECTION	DRAWING	SERIES	MATERIAL NUMBER	CUSTOMER	SHEET NUMBER
			B-SIZE	19164	SEE CHART	GENERAL MARKET	1 OF 1