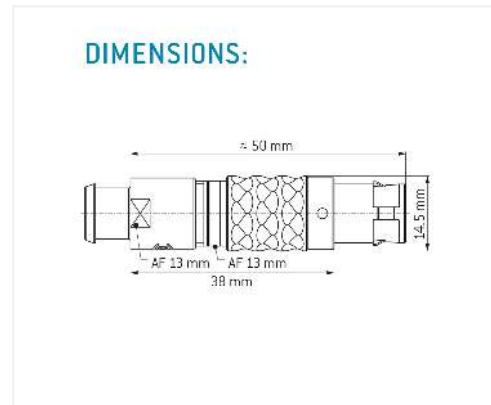
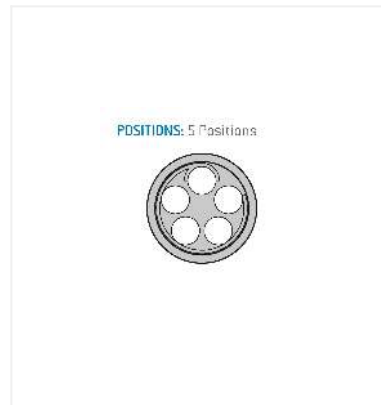


General information

Part number	S22LOC-P05MPHO-820S
Termination	solder
Size	2
Locking principle	push
Coding	0_key
Cable Diameter	cabl_mini_B2
Cable outlet	bend_relief



Contact insert description

Number of contacts	5
Contact type	pins
Contact diameter	13mm
Insulator material	peek
Wire cross section	20_awg
Termination	solder
Termination diameter	11mm

reverse_gender_on_request

Technical information

Max. creepage and air clearance distance	16_mm	17_mm
Nominal current single contact	12_a	iec_60512_5_2
Nominal current insert	9_A	vde_0298_4
Test voltage	18_kv_ac	sae_13441

safety_text

Mechanical and environmental data

Degree of protection*	ip50
Operating temperature	40_120_c
Mating cycles	5000

mated_unmated

Material and surface treatments

Housing	m_chrome
Contact	cu_alloy_gold

safety_text_2
ul_text
illustrative_text