

EC4-2000-SO₂

Industrial Sulfur Dioxide Sensor

(Application : Portable Gas Detectors)

PERFORMANCE

Range	0 – 2000 ppm
Maximum Overload	4000 ppm
Sensitivity	12 to 28 nA/ppm SO ₂
Zero in Air at 20°C	< ± 0.4 µA
Zero Deviation (-20°C to +40°C)	0 – 4 ppm SO ₂ equivalent
Resolution	5 ppm SO ₂
Linearity	Linear across range
Response Time (T ₉₀)	< 60 s
Long-term Output Drift	< 2% signal / month
Warranty	1 year
Bias	No Bias

OPERATING CONDITIONS

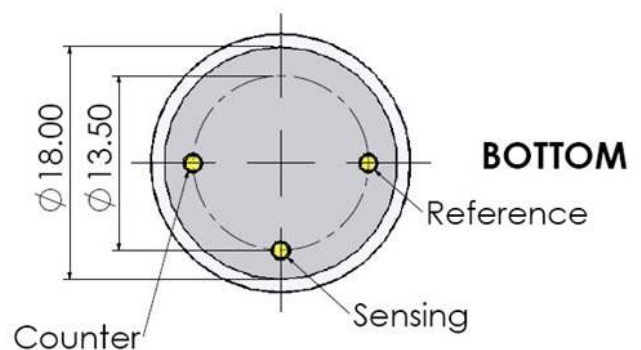
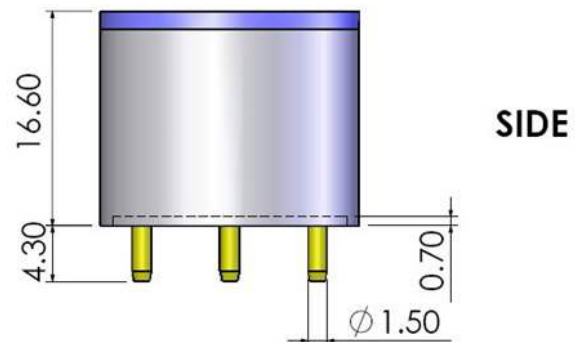
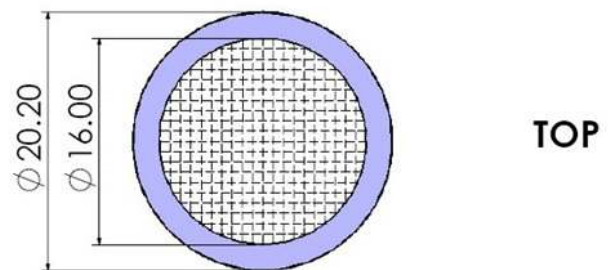
Temperature Range	-20°C to +50°C
Operating Humidity	15 – 90% RH (non-condensing)
Pressure range	90 – 110 kPa (nominal)
Operating Circuit	See Electrochemical Toxic Sensor Application Note
Recommended Storage Temperature	0°C to 20°C
Storage life	6 months in original packing
Expected Operating Life	2 years in air

PHYSICAL CHARACTERISTICS

Weight	5 g approx.
Orientation Sensitivity	None
Dimensions	See outline

OUTLINE

All Dimensions are in mm
 All tolerances are ±0.2mm



Whilst SGX has taken care to ensure the accuracy of the information contained herein it accepts no responsibility for the consequences of any use thereof and also reserves the right to change the specification of goods without notice. SGX accepts no liability beyond the set out in its standard conditions of sale in respect of infringement of third party patents arising from the use of SGX products in accordance with information contained herein.
 In case of modification of the product, SGX disclaims all liability.

CROSS-SENSITIVITY DATA

Gas	Concentration Level (ppm)	Response as ppm SO ₂
Carbon Monoxide	300	<30
Hydrogen Sulfide	15	0
Nitric Oxide	35	21
Nitrogen Dioxide	5	<-5

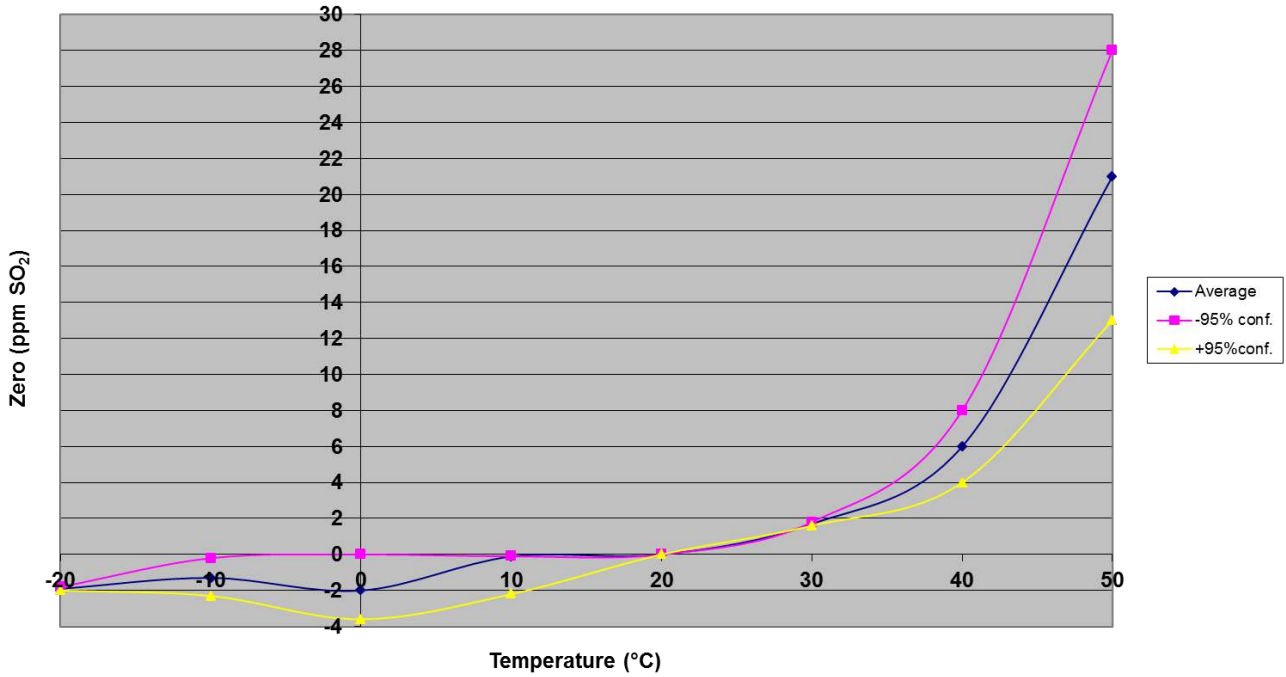
* See Important Notes

IMPORTANT NOTES

- 1.) Do not solder to the connector pins as this may damage the sensor and thereby invalidate the warranty.
- 2.) Details on recommended connector pins can be found in the Frequently Asked Questions within the Gas Sensor section of the SGX website.
- 3.) All performance specifications are based upon the following environmental conditions: 20°C, 50% relative humidity, 101kPa.
- 4.) Cross Sensitivity Data is for information only. Calibration is recommended with target gas as the accuracy of calibration and measurement cannot be ensured.
- 5.) The cross sensitivities are including but not limited to the gases stated in the table. It may respond to other gases.
- 6.) The cross sensitivities may fluctuate between $\pm 30\%$ and may differ from batch to batch or across sensor's life time.
- 7.) The device is designed to be RoHS compliant.

TEMPERATURE

EC4-2000-SO2 Graph of Zero vs Temperature



EC4-2000-SO2 Graph of Sensitivity vs Temperature

