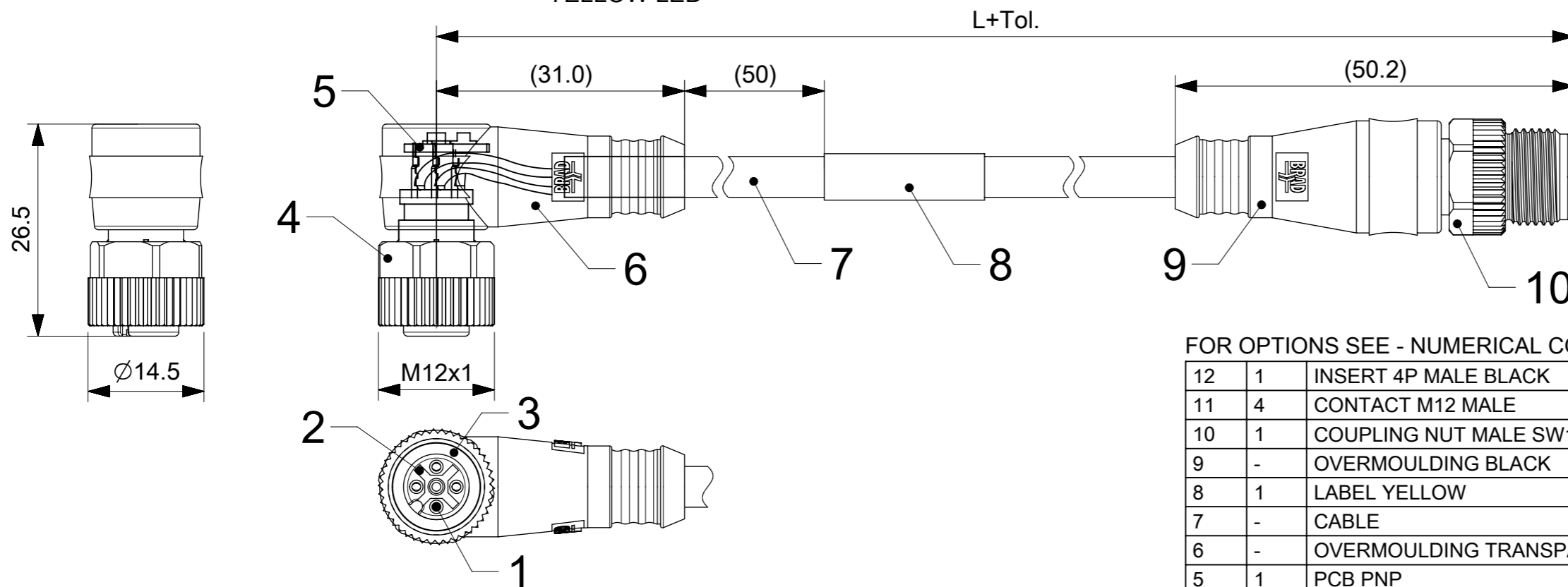
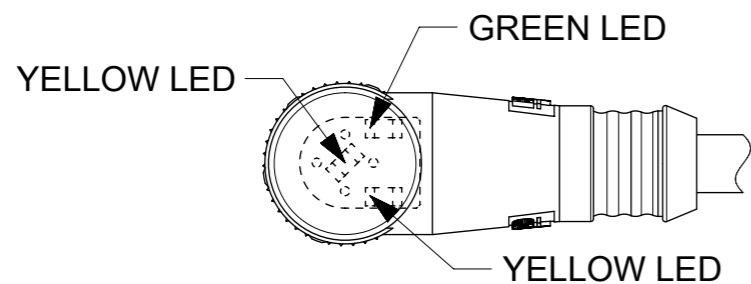
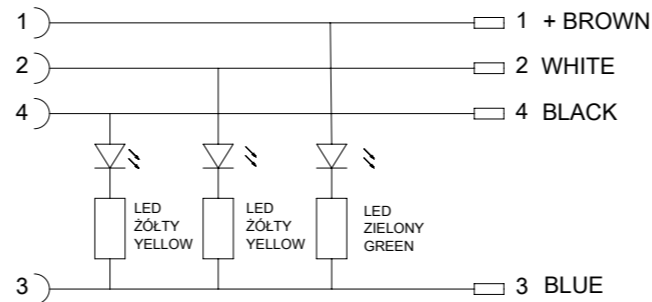


FEMALE PNP PLUG M12 90° ANGLED TO MALE PLUG M12 STRAIGHT

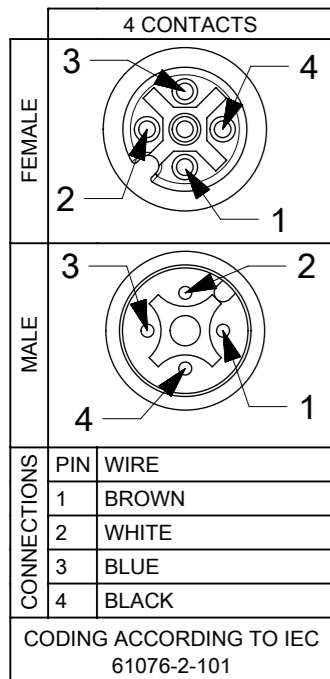
WIRING DIAGRAM



FOR OPTIONS SEE - NUMERICAL CODE - ON SHEET 2

ITEM	QTY.	DESCRIPTION	MATERIAL	FINISH
12	1	INSERT 4P MALE BLACK	TPU	---
11	4	CONTACT M12 MALE	BRASS	SELECTIVE GOLD OVER NICKEL
10	1	COUPLING NUT MALE SW13	BRASS	NICKEL
9	-	OVERMOULDING BLACK	TPU	---
8	1	LABEL YELLOW	VINYL	---
7	-	CABLE	SEE SHEET 2	---
6	-	OVERMOULDING TRANSPARENT	TPU	---
5	1	PCB PNP	---	---
4	1	COUPLING NUT FEMALE SW13	BRASS	NICKEL
3	1	ORING RED	FPM	---
2	1	INSERT 4P FEMALE BLACK	PUR	---
1	4	CONTACT M12 FEMALE	BRASS	SELECTIVE GOLD OVER NICKEL
ITEM	QTY.	DESCRIPTION	MATERIAL	FINISH

CONTACTS POSITION FRONT VIEW:

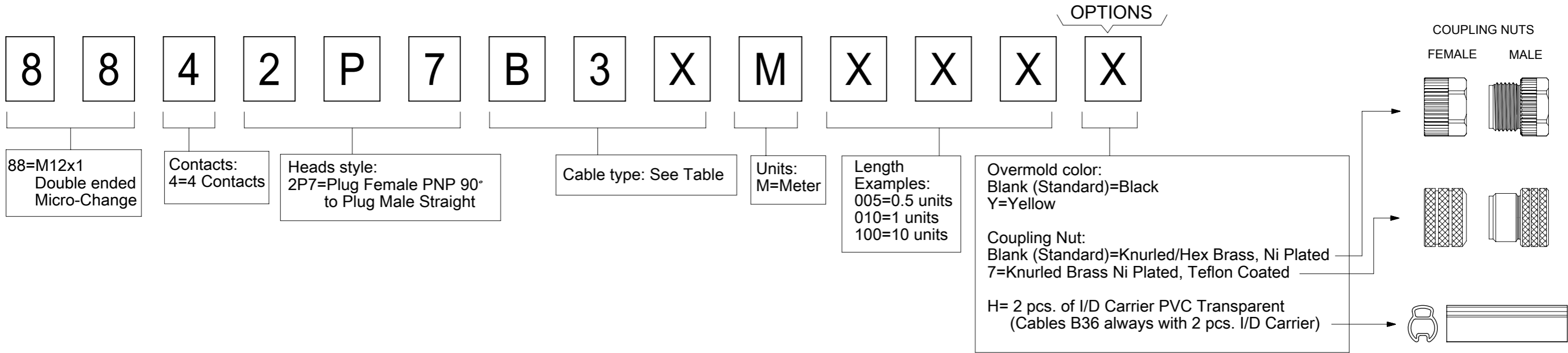


NOTES:

CURRENT RATING: 4A
 VOLTAGE RATING: 10 - 30 VDC
 PROTECTION CLASS: IP 67
 TEMPERATURE: -25°C / +85°C

QUALITY SYMBOLS FA = 0 FE = 0 FB = 0 FC = 0 FD = 0 FE = 0 FF = 0 FG = 0 FH = 0 FI = 0 FJ = 0 FK = 0 FL = 0 FM = 0 FN = 0 FO = 0 FP = 0 FQ = 0 FR = 0 FS = 0 FT = 0 FU = 0 FV = 0 FW = 0 FX = 0 FY = 0 FZ = 0		THIS DRAWING CONTAINS INFORMATION THAT IS PROPRIETARY TO MOLEX ELECTRONIC TECHNOLOGIES, LLC AND SHOULD NOT BE USED WITHOUT WRITTEN PERMISSION EC NO: 109617 DRWN: AKONDRACIUK CHK'D: MIWASIECZKO APPR: MIWASIECZKO 2016/10/20 2016/10/24		GENERAL TOLERANCES (UNLESS SPECIFIED) ANGULAR TOL ± ° 4 PLACES ± 3 PLACES ± 2 PLACES ± 1 PLACE ± 0 PLACES ± DRAFT WHERE APPLICABLE MUST REMAIN WITHIN DIMENSIONS		DIMENSION UNITS: MM SCALE: 1:1 DRWN BY: AKONDRACIUK DATE: 2016/10/20 CHK'D BY: MIWASIECZKO DATE: 2016/10/24 APPR BY: MIWASIECZKO DATE: 2016/10/24 DRAWING SIZE: A3 THIRD ANGLE PROJECTION					
PRODUCT CUSTOMER DRAWING CSE M12 PNP 4P AC FE RA WSOR MA STR 2M											
SERIES: 120067		MATERIAL NUMBER: SEE SHEAT 2		CUSTOMER:							
DOCUMENT NUMBER: 1200678502			DOC TYPE: PSD	DOC PART: 00P	SHEET NUMBER: 1 OF 2						

ENGINEERING NO. - NUMERICAL CODE (Available parts see PART LIST table. Other parts available upon request).



CABLE INFORMATION (for more information see Cable Data Sheet).

CABLE TYPE	NO. OF WIRES	CROSS SECTION	CABLE JACKET	UL	CSA	STATIC: TEMP. / BENDING RADIUS	DYNAMIC: TEMP. / BENDING RADIUS	DRAG CHAIN: TEMP. / BENDING RADIUS	DRAG CHAIN	CABLE PRODUCT SPECIFICATION	CABLE SPEC. DRAWING	OTHER INFORMATION
B30	4	0.34mm ²	TPU Based, Black	UL 21215/758	C22.2 I/II A/B 80°/600V	-40°C to +90°C >5xO.D.	-25°C to +80°C >7.5xO.D.	-5°C to +60°C >7.5xO.D.	up to 5 000 000 cycles at temp 20°C	1552200001	SD-120209-001	WSOR
B36	4	0.34mm ²	TPU Based, Orange									

PART LIST

No.	MOLEX PN	ENGINEERING No	CABLE LENGTH
1	1200678502	8842P7B30M020	2m
2	1200678503	8842P7B30M050	5m
3	1200678504	8842P7B30M100	10m
4			
5			
6			
7			
8			
9			
10			

CABLE LENGTH TOLERANCES

LENGTH	TOLERANCE	
shorter than 1m	+40 mm	0 mm
1m-5m	+60 mm	0 mm
5m-10m	+80 mm	0 mm
10m-20m	+140 mm	0 mm
20m-30m	+160 mm	0 mm
longer than 30m	+1% length	0 mm

QUALITY SYMBOLS FA = 0 FE = 0 FB = 0 FV = 0 FC = 0 FX = 0 FZ = 0 F1 = 0	THIS DRAWING CONTAINS INFORMATION THAT IS PROPRIETARY TO MOLEX ELECTRONIC TECHNOLOGIES, LLC AND SHOULD NOT BE USED WITHOUT WRITTEN PERMISSION									
	EC NO: 109617	2016/10/20	2016/10/24	GENERAL TOLERANCES (UNLESS SPECIFIED)		DIMENSION UNITS	SCALE			
	DRWN: AKONDRACIUK			ANGULAR TOL ± °		MM	1:1			
	CHK'D: MIWASIECZKO			4 PLACES ±		DRWN BY	DATE	CSE M12 PNP 4P AC FE RA WSOR MA STR 2M		
	APPR: MIWASIECZKO			3 PLACES ±		AKONDRACIUK	2016/10/20			
				2 PLACES ±		CHK'D BY	DATE	PRODUCT CUSTOMER DRAWING		
				1 PLACE ±		MIWASIECZKO	2016/10/24			
				0 PLACES ±		APPR BY	DATE	SERIES	MATERIAL NUMBER	CUSTOMER
				DRAFT WHERE APPLICABLE MUST REMAIN WITHIN DIMENSIONS		DRAWING SIZE	THIRD ANGLE PROJECTION	120067	SEE PART LIST	
						A3		DOCUMENT NUMBER	DOC TYPE	DOC PART
							1200678502	PSD	00P	2 OF 2