

AXL SE SSDO4/2 2A - Safety module



1190017

<https://www.phoenixcontact.com/us/products/1190017>

Please be informed that the data shown in this PDF document is generated from our online catalog. Please find the complete data in the user documentation. Our general terms of use for downloads are valid.



Axiline Smart Elements, Digital output module, Functional safety, SafetyBridge technology, Safe digital outputs: 2 (2-channel assignment), 4 (1-channel assignment), 24 V DC, 2 A, connection technology: 2-conductor, degree of protection: IP20

Product description

You can integrate Axiline Smart Elements into systems with the Smart Element interface. This Smart Element is a safe output module for use in a SafetyBridge system.

Your advantages

- Up to Cat. 4/PL e in accordance with EN ISO 13849-1, SIL 3 in accordance with EN CEI 62061, SIL 3 in accordance with IEC 61508
- 4 safe outputs for 1-channel assignment
- 2 safe outputs for 2-channel assignment
- 24 V DC, 2 A

Commercial data

Item number	1190017
Packing unit	1 pc
Minimum order quantity	1 pc
Sales key	DN03
Product key	DNA831
GTIN	4063151238285
Weight per piece (including packing)	48.43 g
Weight per piece (excluding packing)	36 g
Customs tariff number	85389091
Country of origin	DE

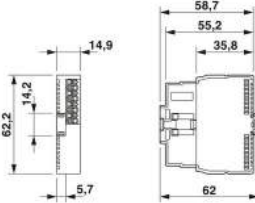
AXL SE SSDO4/2 2A - Safety module

1190017

<https://www.phoenixcontact.com/us/products/1190017>

Technical data

Dimensions

Dimensional drawing	
Width	14.9 mm
Height	62.2 mm
Depth	62 mm

Interfaces

Smart Element interface

Number of interfaces	1
Connection method	Card edge connector
Transmission speed	See system in which you use the Smart Element.

System properties

Module

Input address area	5 Byte
Output address area	6 Byte

Output data

Digital

Output name	Safe digital outputs
Output description	EN 61131-2
Connection method	Push-in connection
Connection technology	2-conductor
Number of outputs	2 (2-channel assignment) 4 (1-channel assignment)
Protective circuit	Short-circuit protection, overload protection of the outputs; electronic
Output voltage	24 V DC
Output current	max. 2 A (per output)
Maximum output current per channel	2 A
Maximum output current per module	4 A
Nominal output voltage	24 V DC
Load min.	1.5 k Ω (at nominal voltage)
Output voltage when switched off	< 5 V

AXL SE SSDO4/2 2A - Safety module



1190017

<https://www.phoenixcontact.com/us/products/1190017>

Output current when switched off	< 2 mA
Nominal load, inductive	48 VA (1 H; 12 Ω; at nominal voltage)
Nominal load, ohmic	48 W (12 Ω, at nominal voltage)
Switching frequency	1 Hz (0.2 Hz at > 1 A)
Reverse voltage resistance to short pulses	no
Behavior with overload	Switch-off of the relevant output, restart upon acknowledgment
Behavior with inductive overload	Output can be destroyed

Product properties

Type	modular
Product type	I/O component
Product family	Axioline Smart Elements
Mounting position	any
Application	Functional safety SafetyBridge technology
Operating mode	SafetyBridge

Insulation characteristics

Overvoltage category	II (IEC 60664-1)
Pollution degree	2 (EN 60664-1)

Electrical properties

Potentials: Axioline F local bus supply (U_{BUS})

Supply voltage	5 V DC (via bus base module)
Current draw	max. 120 mA (at U_{BUS} 5 V DC) typ. 93 mA (at U_{BUS} 5 V DC)

Potentials: Communications power supply of the Smart Elements (U_{SE})

Supply voltage	using card edge connectors
----------------	----------------------------

Potentials: I/O supply (U_P)

Supply voltage	24 V DC (using card edge connectors)
Supply voltage range	19.2 V DC ... 30 V DC (including all tolerances, including ripple)
Current draw	max. 30 mA ((Supply from U_P with 30 V DC, all outputs set, without supply to the actuators)) typ. 25 mA ((Supply from U_P with 24 V DC, all outputs set, without supply to the actuators))
Current consumption	min. 21 mA ((Supply from U_P with 19.2 V DC, all outputs set, without supply to the actuators))
Power consumption	max. 900 mW min. 403 mW

Connection data

Connection technology

Connection name	I/O
Note on the connection method	Note the specification in the section Conductor cross sections,

AXL SE SSDO4/2 2A - Safety module



1190017

<https://www.phoenixcontact.com/us/products/1190017>

and stripping and insertion lengths.

Conductor connection

Connection method	Push-in connection
Conductor cross section rigid	0.25 mm ² ... 1.5 mm ²
Conductor cross section flexible	0.25 mm ² ... 1.5 mm ²
Conductor cross section AWG	24 ... 16
Stripping length	8 mm

I/O

Connection method	Push-in connection
Note on the connection method	Note the specification in the section Conductor cross sections, and stripping and insertion lengths.
Conductor cross section, rigid	0.25 mm ² ... 1.5 mm ²
Conductor cross section, flexible	0.25 mm ² ... 1.5 mm ²
Conductor cross section AWG	24 ... 16
Stripping length	8 mm

Environmental and real-life conditions

Ambient conditions

Ambient temperature (operation)	-25 °C ... 60 °C
Degree of protection	IP20
Degree of protection at installation location	min. IP54
Air pressure (operation)	70 kPa ... 108 kPa
Air pressure (storage/transport)	66 kPa ... 108 kPa
Ambient temperature (storage/transport)	-40 °C ... 85 °C
Permissible humidity (operation)	5 % ... 95 % (non-condensing)
Permissible humidity (storage/transport)	5 % ... 95 % (non-condensing)

Standards and regulations

Protection class	III (IEC 61140, EN 61140, VDE 0140-1)
------------------	---------------------------------------

Air clearances and creepage distances

Air clearances and creepage distances	IEC 60664-1
---------------------------------------	-------------

Mounting

Mounting type	Smart Element slot
Mounting position	any

AXL SE SSDO4/2 2A - Safety module



1190017

<https://www.phoenixcontact.com/us/products/1190017>

Approvals

To download certificates, visit the product detail page: <https://www.phoenixcontact.com/us/products/1190017>



UL Listed

Approval ID: FILE E 238705



Functional Safety

Approval ID: 968/FSP 2449.00/22



Functional Safety

Approval ID: 968/FSP 2449.00/22

AXL SE SSDO4/2 2A - Safety module



1190017

<https://www.phoenixcontact.com/us/products/1190017>

Classifications

ECLASS

ECLASS-11.0	27242604
ECLASS-12.0	27242604
ECLASS-13.0	27242604

ETIM

ETIM 8.0	EC001599
----------	----------

UNSPSC

UNSPSC 21.0	32151600
-------------	----------

AXL SE SSDO4/2 2A - Safety module



1190017

<https://www.phoenixcontact.com/us/products/1190017>

Environmental product compliance

REACH SVHC

Lead 7439-92-1

Phoenix Contact 2023 © - all rights reserved

<https://www.phoenixcontact.com>

Phoenix Contact USA
586 Fulling Mill Road
Middletown, PA 17057, United States
(+717) 944-1300
info@phoenixcon.com