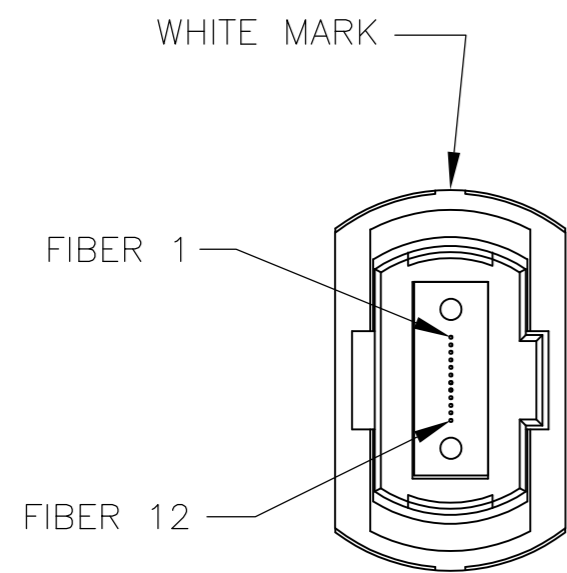
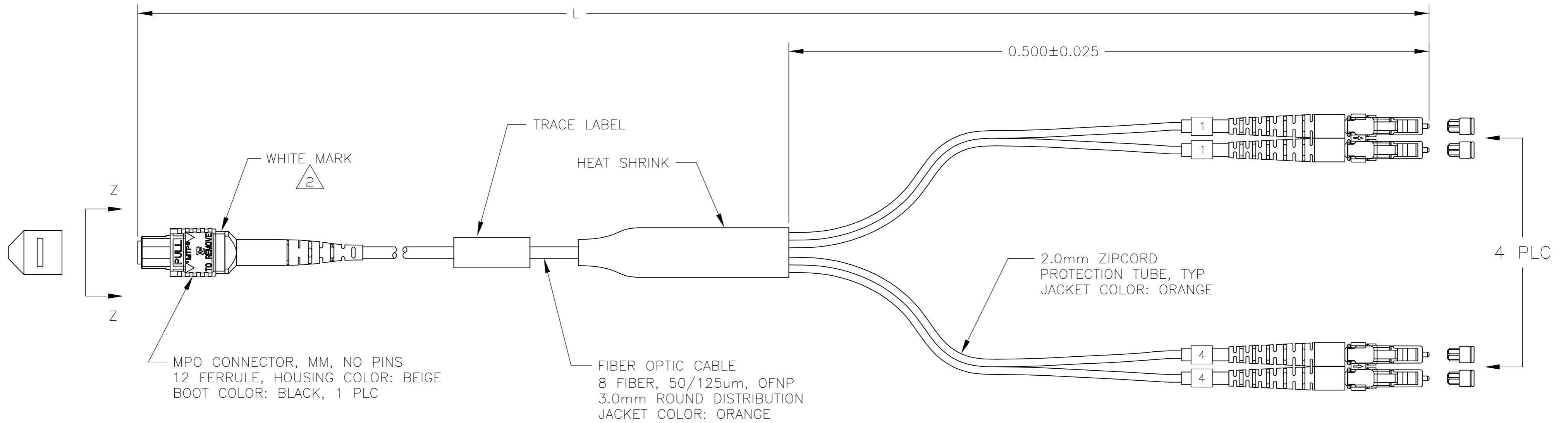


THIS DRAWING IS UNPUBLISHED. RELEASED FOR PUBLICATION
 © COPYRIGHT - By - ALL RIGHTS RESERVED.

LOC	DIST	REVISIONS			
P	LTR	DESCRIPTION	DATE	DWN	APVD
CE	00	B	ECR-12-003371	02MAR2012	KZ RZ



VIEW Z-Z
 NOT TO SCALE

MPO FIBER NO	LC CONNECTOR
1	1B
2	2B
3	3B
4	4B
5	NOT USED
6	NOT USED
7	NOT USED
8	NOT USED
9	4A
10	3A
11	2A
12	1A

MPO CONNECTOR FIBER PATH

THIS DRAWING IS A CONTROLLED DOCUMENT.		DWN DAVIS WANG 30DEC2010	TE TE Connectivity
DIMENSIONS: METERS		CHK JAMES ZHOU 30DEC2010	
TOLERANCES UNLESS OTHERWISE SPECIFIED:		APVD RICHARD ZHAO 30DEC2010	NAME CABLE ASSEMBLY, FIBER OPTIC, QSFP BREAKOUT OFNP 8 FIBER 3mm ROUND CABLE, 50/125 MPO NO/PINS TO 4 LC DUPLEX
MATERIAL		PRODUCT SPEC	SIZE A2
FINISH		APPLICATION SPEC	CAGE CODE 00779
		WEIGHT	DRAWING NO C=2148035
		CUSTOMER DRAWING	RESTRICTED TO
		SCALE NTS	SHEET 1 of 2
			REV B

THIS DRAWING IS UNPUBLISHED. RELEASED FOR PUBLICATION
 © COPYRIGHT - By - ALL RIGHTS RESERVED.


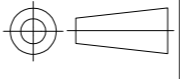
LOC	DIST	REVISIONS					
CE	00	P	LTR	DESCRIPTION	DATE	DWN	APVD
		-	-	SEE SHEET 1	-	-	-

PART NUMBER	L		MPO MAX IL	LC MAX IL
	MAX	MIN	(dB) $\triangle 1$	(dB) $\triangle 1$
2148035-1	1.050	0.950	0.70	0.30
2148035-2	2.050	1.950	0.70	0.30
2148035-3	3.050	2.950	0.70	0.30
2148035-4	4.080	3.920	0.71	0.31
2148035-5	5.080	4.920	0.71	0.31
2148035-6	6.080	5.920	0.71	0.31
2148035-7	7.080	6.920	0.71	0.31
2148035-8	8.080	7.920	0.71	0.31
2148035-9	9.150	8.850	0.71	0.31
1-2148035-0	10.150	9.850	0.72	0.32
1-2148035-1	11.150	10.850	0.72	0.32
1-2148035-2	12.150	11.850	0.72	0.32
1-2148035-3	13.150	12.850	0.72	0.32
1-2148035-4	14.150	13.850	0.72	0.32
1-2148035-5	15.150	14.850	0.72	0.32
1-2148035-6	16.160	15.840	0.72	0.32
1-2148035-7	17.170	16.830	0.73	0.33
1-2148035-8	18.180	17.820	0.73	0.33
1-2148035-9	19.190	18.810	0.73	0.33
2-2148035-0	20.200	19.800	0.73	0.33
2-2148035-1	21.210	20.790	0.73	0.33
2-2148035-2	22.220	21.780	0.73	0.33
2-2148035-3	23.230	22.770	0.73	0.33
2-2148035-4	24.240	23.760	0.74	0.34
2-2148035-5	25.250	24.750	0.74	0.34
2-2148035-6	26.260	25.740	0.74	0.34
2-2148035-7	27.270	26.730	0.74	0.34
2-2148035-8	28.280	27.720	0.74	0.34
2-2148035-9	29.290	28.710	0.74	0.34
3-2148035-0	30.300	29.700	0.75	0.35
3-2148035-1	31.310	30.690	0.75	0.35
3-2148035-2	32.320	31.680	0.75	0.35
3-2148035-3	33.330	32.670	0.75	0.35
3-2148035-4	34.340	33.660	0.75	0.35
3-2148035-5	35.350	34.650	0.75	0.35
3-2148035-6	36.360	35.640	0.75	0.35
3-2148035-7	37.370	36.630	0.76	0.36
3-2148035-8	38.380	37.620	0.76	0.36
3-2148035-9	39.390	38.610	0.76	0.36
4-2148035-0	40.400	39.600	0.76	0.36
4-2148035-1	41.410	40.590	0.76	0.36
4-2148035-2	42.420	41.580	0.76	0.36
4-2148035-3	43.430	42.570	0.76	0.36
4-2148035-4	44.440	43.560	0.77	0.37
4-2148035-5	45.450	44.550	0.77	0.37
4-2148035-6	46.460	45.540	0.77	0.37
4-2148035-7	47.470	46.530	0.77	0.37
4-2148035-8	48.480	47.520	0.77	0.37
4-2148035-9	49.490	48.510	0.77	0.37
5-2148035-0	50.500	49.500	0.78	0.38
5-2148035-5	55.550	54.450	0.78	0.38
6-2148035-0	60.600	59.400	0.79	0.39
6-2148035-5	65.650	64.350	0.80	0.40
7-2148035-0	70.700	69.300	0.81	0.41
7-2148035-5	75.750	74.250	0.81	0.41
8-2148035-0	80.800	79.200	0.82	0.42
8-2148035-5	86.000	84.000	0.83	0.43
9-2148035-0	91.350	88.650	0.84	0.44
9-2148035-5	96.425	94.575	0.84	0.44
9-2148035-9	101.500	98.500	0.85	0.45

$\triangle 1$ MAXIMUM INSERTION LOSS AT 1300nm: SEE TABLE

$\triangle 2$ WHITE MARK ON CONNECTOR HOUSING INDICATES FIBER 1 SIDE.

3. PRODUCT AND PROCESSING MUST MEET REQUIREMENTS OF TEC-138-702.

THIS DRAWING IS A CONTROLLED DOCUMENT.		DWN DAVIS WANG 30DEC2010	 TE Connectivity	
DIMENSIONS: METERS		CHK JAMES ZHOU 30DEC2010		
TOLERANCES UNLESS OTHERWISE SPECIFIED:		APVD RICHARD ZHAO 30DEC2010	NAME CABLE ASSEMBLY, FIBER OPTIC, QSFP BREAKOUT OFNP 8 FIBER 3mm ROUND CABLE, 50/125 MPO NO/PINS TO 4 LC DUPLEX	
		PRODUCT SPEC -	RESTRICTED TO -	
MATERIAL		APPLICATION SPEC -	SIZE A2	CAGE CODE 00779
FINISH		WEIGHT -	DRAWING NO C=2148035	REV B
CUSTOMER DRAWING			SCALE NTS	SHEET 2 OF 2