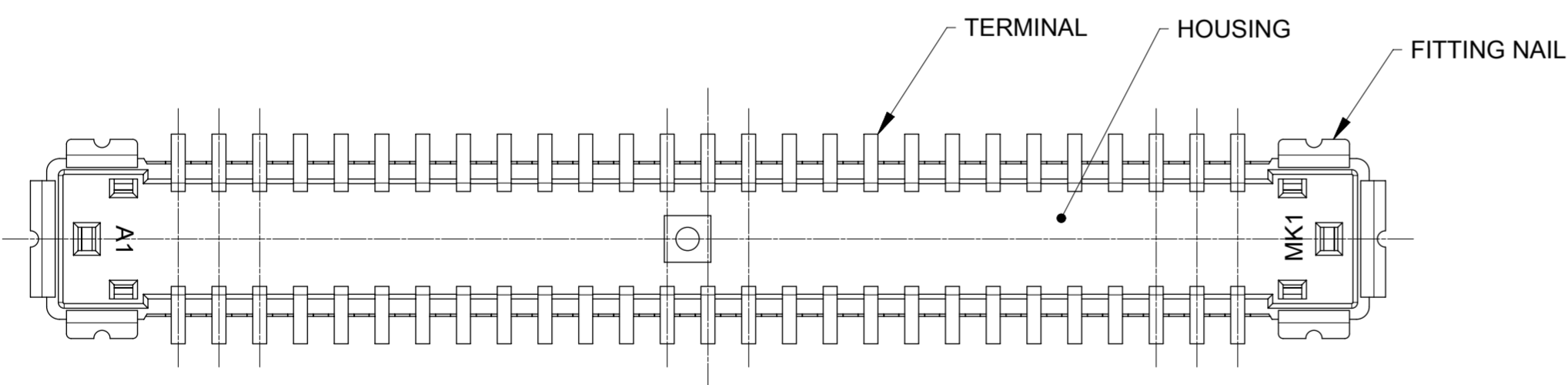


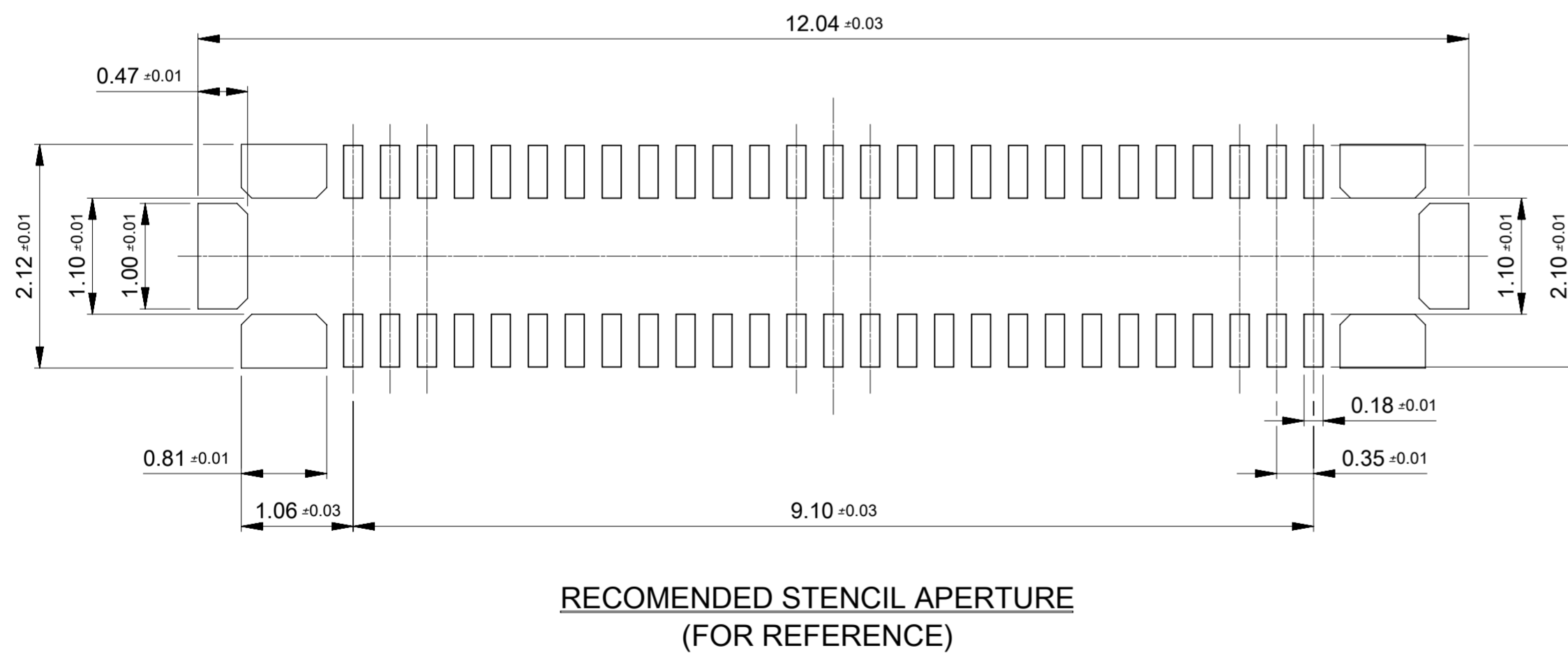
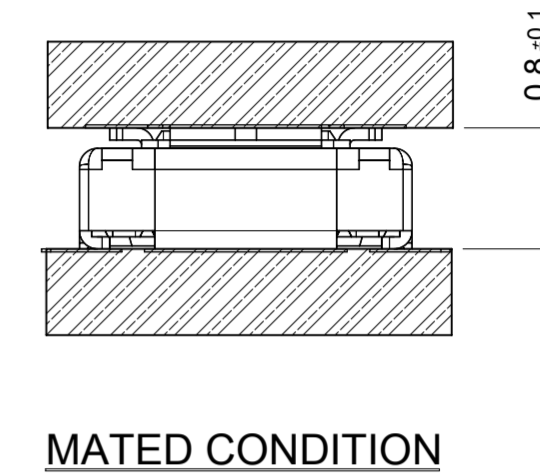
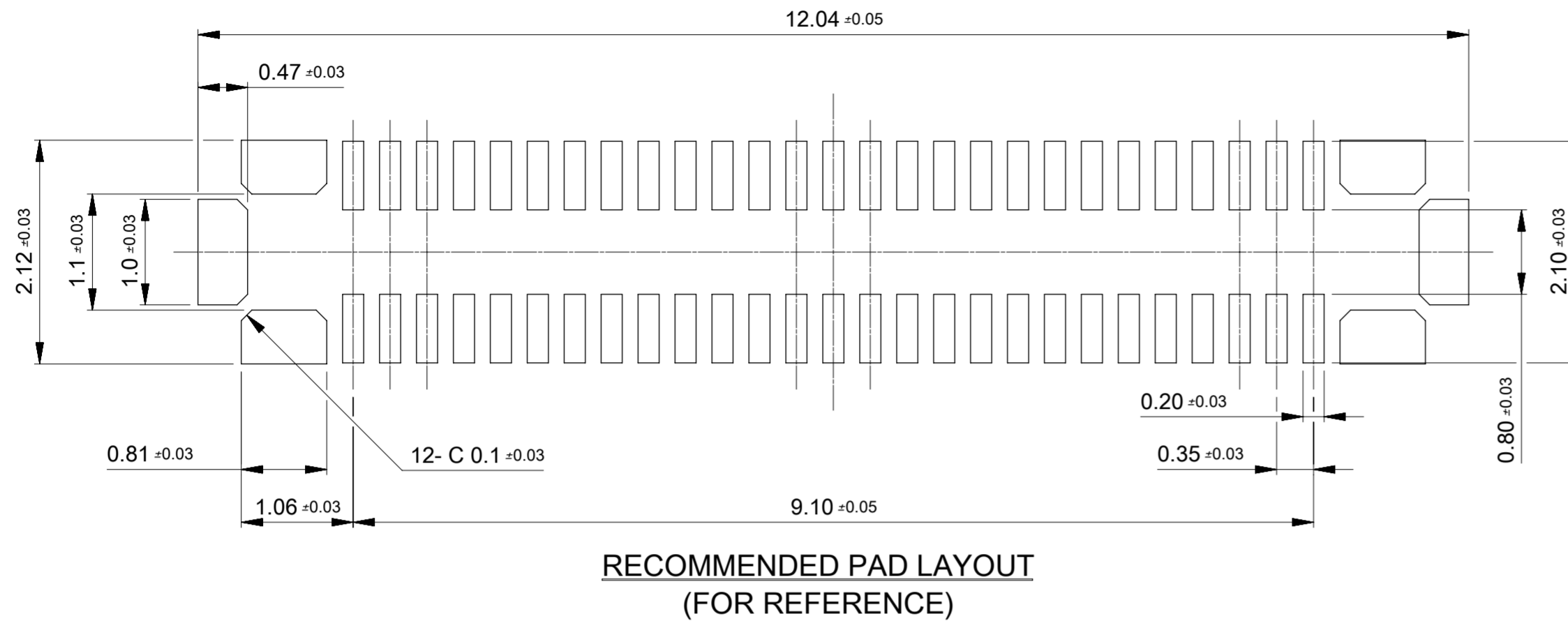
NOTES

1. MATERIAL
HOUSING : LIQUIDE CRISTAL POLYMER UL94V-0 (COLOR:BLACK)
TERMINAL : COPPER ALLOY
FITTING NAIL : COPPER ALLOY
2. PLATING
- TERMINAL
CONTACT AREA : GOLD 0.1um MIN.
TAIL AREA : GOLD 0.05um MIN.
BASE PLATING : Ni 1.0um MIN.
- FITTING NAIL(POWER)
CONTACT AREA : GOLD 0.1um MIN.
TAIL AREA : GOLD 0.05um MIN.
BASE PLATING : Ni 1.0um MIN.
DIVIDE INTO PARTS THE GOLD PLATING OF THE CONTACT AND THE TAIL PART BY THE NICKEL BARRIER.
3. MATE WHTH : 2074710540
4. COPLANARITY : SHALL BE 0.08MAX. ON BOTH OF TERMINAL AND NAIL.
5. PROHIBITED AREA FOR PATTERN WIRING AND SOLDER.
(FOR EACH AREA, THE WIRING THAT TOUCHES ON THE SOLDER CAN BE ATTACHED, THEN COVERED WITH A FILM TO KEEP SOLDER OUT)



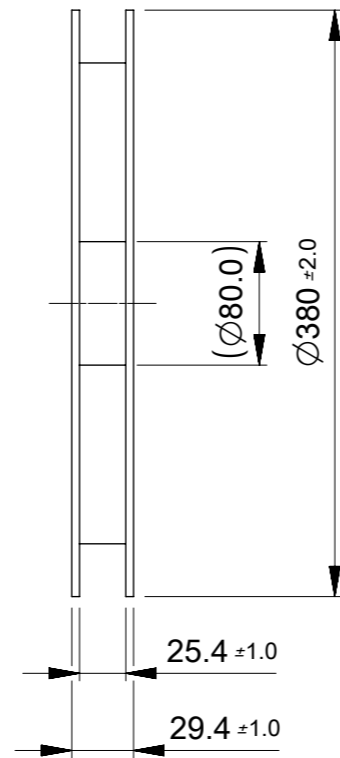
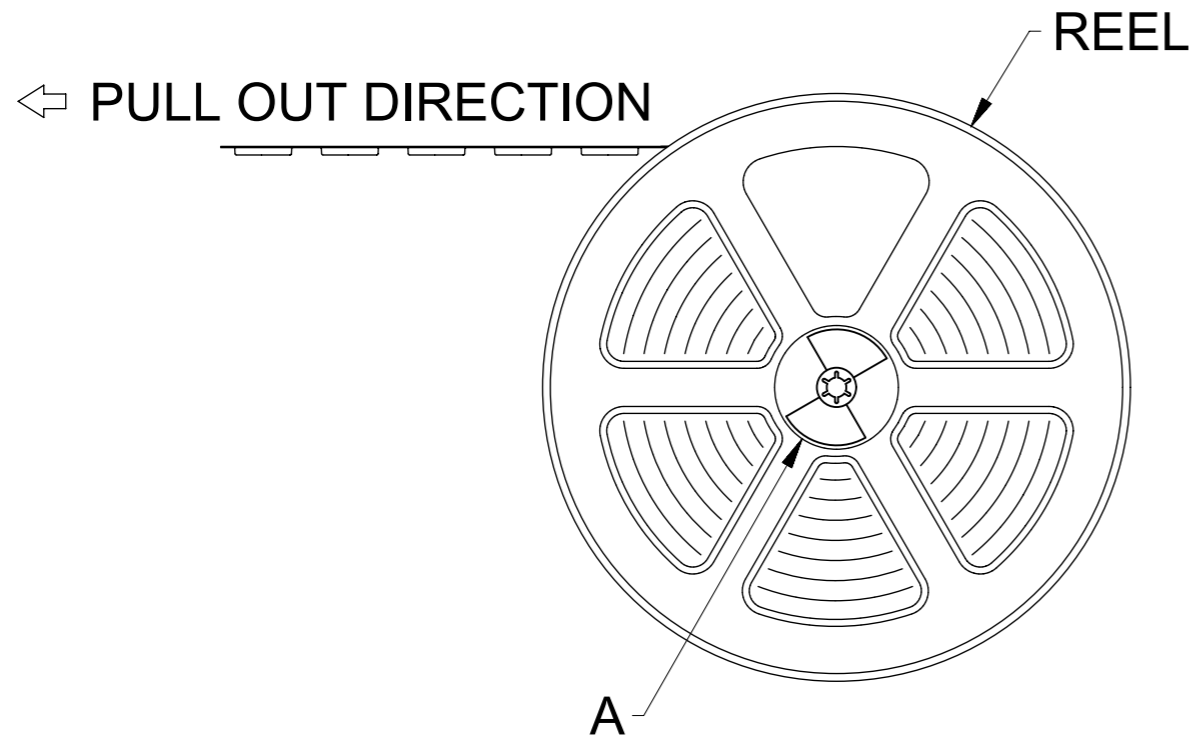
2074720541	O	---	54
EMBOSSD TAPE PACKAGE	HIGH VOL. TOOL	LOW VOL. TOOL	Ckts
ORDER No.	SAMPLE PREPARATION		
	O : TOOLED	□ : WORK PROCESS	---
	--- : TOOLING TO BE CONFIRMED		
CONNECTOR SERIES No. : 2074720540			

SYMBOLS	THIS DRAWING CONTAINS INFORMATION THAT IS PROPRIETARY TO MOLEX ELECTRONIC TECHNOLOGIES, LLC AND SHOULD NOT BE USED WITHOUT WRITTEN PERMISSION		
	DIMENSION UNITS	SCALE	CURRENT REV DESC:
▽ = 0	mm	20:1	EC NO: 622024 DRWN: SYKO01 2019/06/25 CHK'D: KSKIM 2019/08/07 APPR: YSKIM02 2019/08/07
▽ = 0	GENERAL TOLERANCES (UNLESS SPECIFIED)		
▽ = 0	ANGULAR TOL ± 1.0°		INITIAL REVISION: DRWN: SYKO01 2019/01/03 APPR: YSKIM02 2019/04/12
▽ = 0	4 PLACES	± 0.05	
▽ = 0	3 PLACES	± 0.05	DOCUMENT NUMBER 2074720540
▽ = 0	2 PLACES	± 0.05	
▽ = 0	1 PLACE	± 0.1	DOC TYPE PSD
▽ = 0	0 PLACES	± 0.2	
▽ = 0	DRAFT WHERE APPLICABLE MUST REMAIN WITHIN DIMENSIONS		DOC PART 001
▽ = 0	THIRD ANGLE PROJECTION	DRAWING	
		SERIES	REVISION A1
	A2-SIZE	207472	MATERIAL NUMBER SEE SHEET 1
			CUSTOMER GENERAL
			SHEET NUMBER 1 OF 2



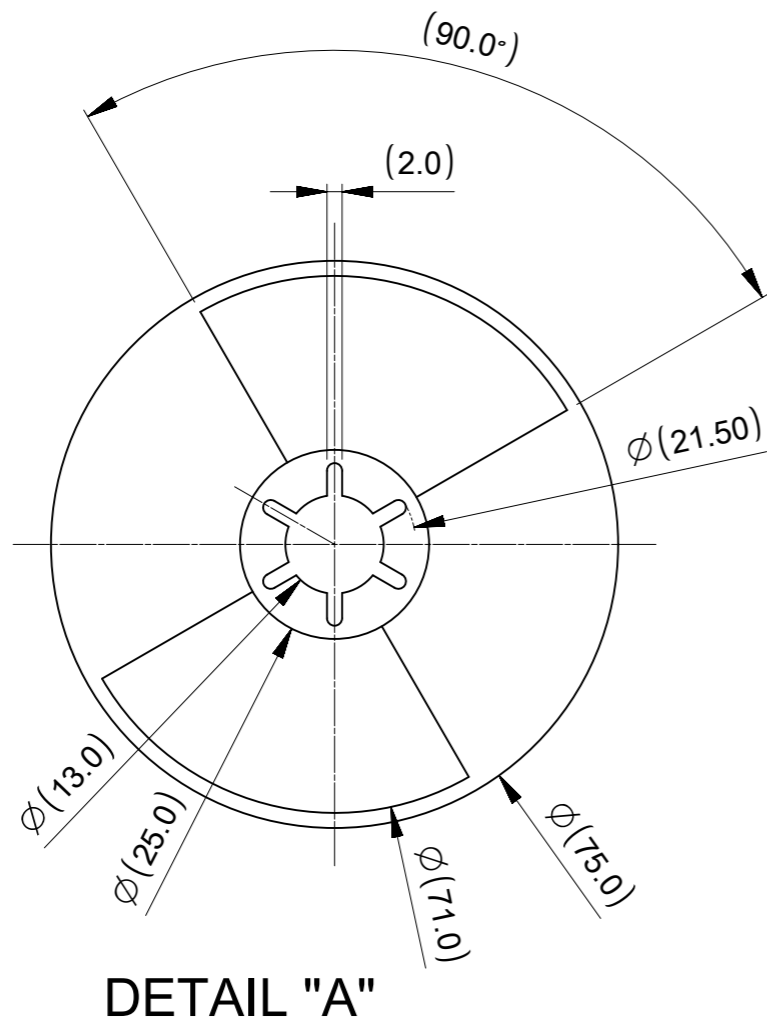
METAL MASK THICKNESS : WHEN 0.1mm
 - SIGNAL TERMINAL OPENING RATIO : 70%
 - FITTING NAIL(POWER)OPENING RATIO : 100%

SYMBOLS	THIS DRAWING CONTAINS INFORMATION THAT IS PROPRIETARY TO MOLEX ELECTRONIC TECHNOLOGIES, LLC AND SHOULD NOT BE USED WITHOUT WRITTEN PERMISSION										
	DIMENSION UNITS	SCALE	CURRENT REV DESC:								
∇ = 0	mm	20:1	EC NO: 622024								
∇ = 0	GENERAL TOLERANCES (UNLESS SPECIFIED)		DRWN: SYKO01 2019/06/25							PRODUCT CUSTOMER DRAWING	
∇ = 0	ANGULAR TOL ± 1.0°		CHK'D: KSKIM 2019/08/07								
∇ = 0	4 PLACES ± 0.05		APPR: YSKIM02 2019/08/07							DOCUMENT NUMBER	
∇ = 0	3 PLACES ± 0.05		INITIAL REVISION:								
∇ = 0	2 PLACES ± 0.05		DRWN: SYKO01 2019/01/03							DOC PART	
∇ = 0	1 PLACE ± 0.1		APPR: YSKIM02 2019/04/12							REVISION	
∇ = 0	0 PLACES ± 0.2		DRWN: SYKO01 2019/01/03							2074720540	
∇ = 0	DRAFT WHERE APPLICABLE MUST REMAIN WITHIN DIMENSIONS		THIRD ANGLE PROJECTION		DRAWING	SERIES	MATERIAL NUMBER		CUSTOMER	SHEET NUMBER	
∇ = 0					A2-SIZE	207472	GENERAL		001	A1	

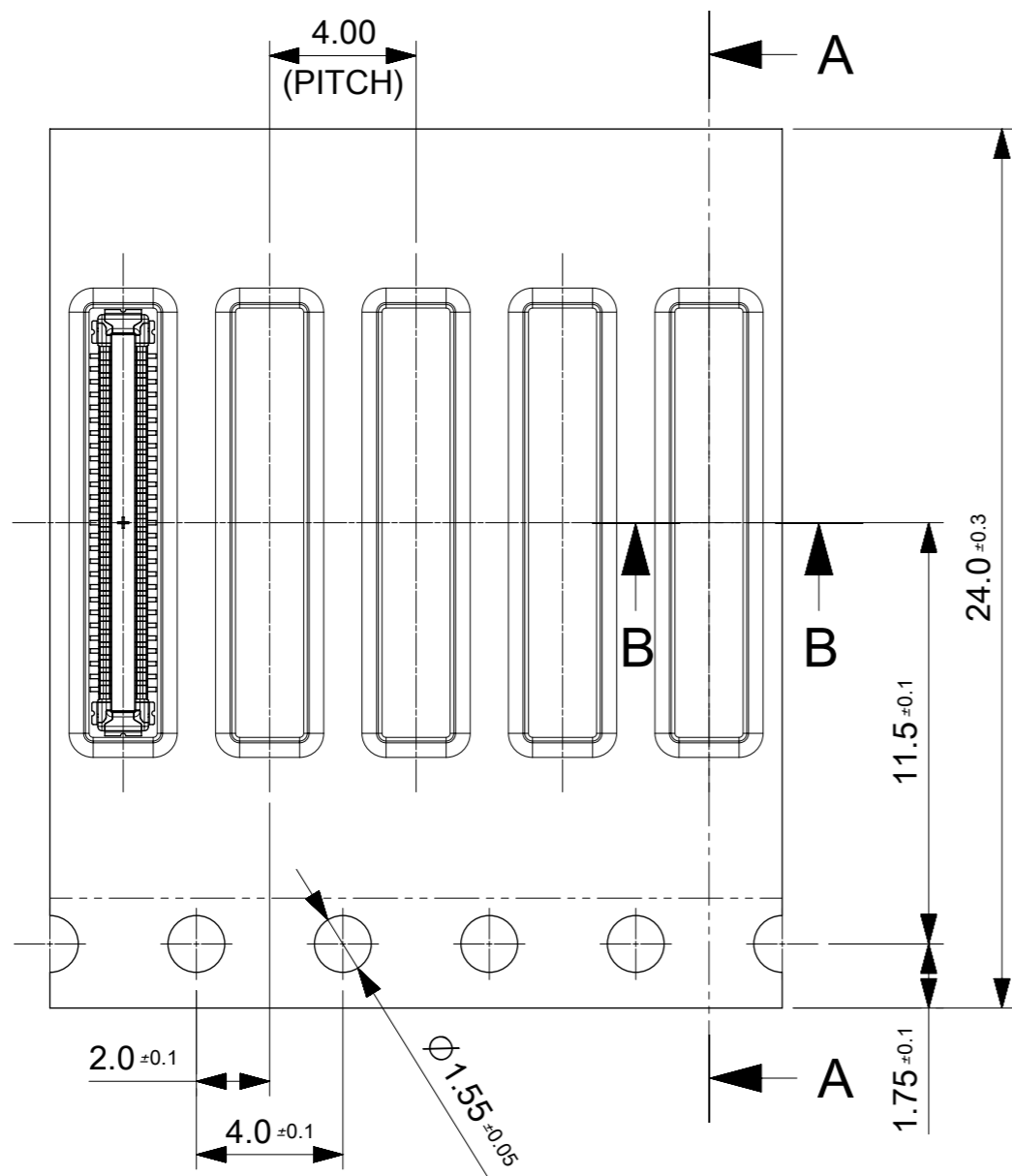


NOTES

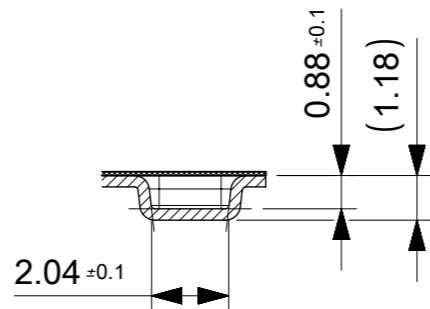
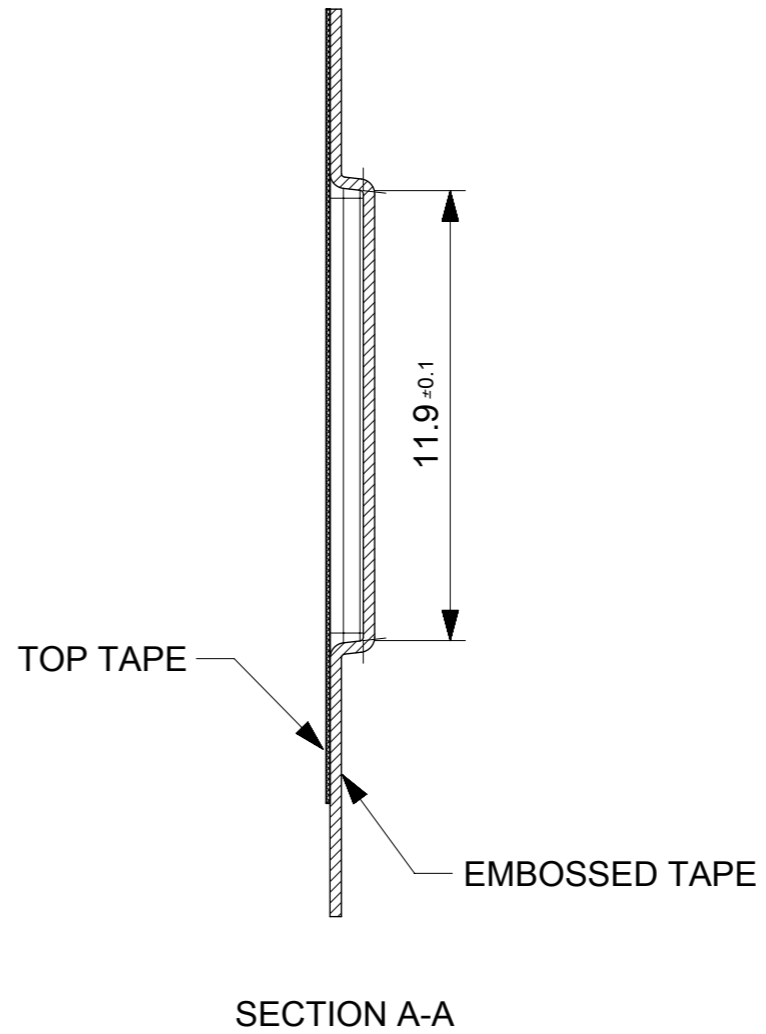
- RE DETAILED DIMENSION, SEE PRODUCT DRAWING.
- NUMBER OF CONNECTORS : 15,000PCS/REEL
- LEAD TAPE LENGTH :
 - PULL OUT DIRECTION
 - 100 MIN. TOP TAPE BONDED PART (EMPTY)
 - TOP TAPE LEADER PART
 - COMPONENT SUPPLIER
 - TAIL PART (EMPTY)
 - 400 MIN.
 - 160 MIN.
- PEEL OFF FORCE OF THE TOP TAPE IS DEFINED BY IEC 60286-3.
- MATERIAL
 - CARRIER TAPE : POLYSTYRENE OR PET
 - TOP TAPE : PET, OTHER
 - REEL : POLYSTYRENE(PS) [RECYCLE MATERIAL CONTAINED]
- ELV AND RoSH COMPLIANT.
- REFER TO 2074710540PS001 FOR CONDITIONS AFTER OPENED THE PACKAGE.



THIS DRAWING CONTAINS INFORMATION THAT IS PROPRIETARY TO MOLEX ELECTRONIC TECHNOLOGIES, LLC AND SHOULD NOT BE USED WITHOUT WRITTEN PERMISSION									
SYMBOLS	DIMENSION UNITS	SCALE	CURRENT REV DESC:						
	mm	1:1							
GENERAL TOLERANCES (UNLESS SPECIFIED)			EC NO: 622024				0.35 BTB PLUG ASSY 54CKTS EMBSTP PKG		
ANGULAR TOL ± 1.0°			DRWN: SYKO01 2019/06/25						
4 PLACES ± 0.05			CHK'D: KSKIM 2019/08/07				PRODUCT CUSTOMER DRAWING		
3 PLACES ± 0.05			APPR: YSKIM02 2019/08/07						
2 PLACES ± 0.05			INITIAL REVISION:				DOCUMENT NUMBER: 2074720541		
1 PLACE ± 0.1			DRWN: SYKO01 2019/01/03						
0 PLACES ± 0.2			APPR: YSKIM02 2019/04/12				DOC PART: 000		
DRAFT WHERE APPLICABLE MUST REMAIN WITHIN DIMENSIONS			THIRD ANGLE PROJECTION		DRAWING	SERIES			
					A3-SIZE	207472	SEE CHART	GENERAL	A1
									SHEET NUMBER: 1 OF 2



← PULL OUT DIRECTION



SECTION B-B

THIS DRAWING CONTAINS INFORMATION THAT IS PROPRIETARY TO MOLEX ELECTRONIC TECHNOLOGIES, LLC AND SHOULD NOT BE USED WITHOUT WRITTEN PERMISSION									
SYMBOLS	DIMENSION UNITS	SCALE	CURRENT REV DESC:						
	mm	1:1	<p>molex</p> <p>0.35 BTB PLUG ASSY 54CKTS EMBSTP PKG</p>						
GENERAL TOLERANCES (UNLESS SPECIFIED)			<p>EC NO: 622024</p> <p>DRWN: SYKO01 2019/06/25</p> <p>CHK'D: KSKIM 2019/08/07</p> <p>APPR: YSKIM02 2019/08/07</p>						
▽ = 0	ANGULAR TOL	± 1.0 °	INITIAL REVISION:						
▽ = 0	4 PLACES	± 0.05	DRWN: SYKO01 2019/01/03						
▽ = 0	3 PLACES	± 0.05	APPR: YSKIM02 2019/04/12						
▽ = 0	2 PLACES	± 0.05	DOCUMENT NUMBER						
▽ = 0	1 PLACE	± 0.1	2074720541						
▽ = 0	0 PLACES	± 0.2	DOC TYPE DOC PART REVISION						
□ = 0	DRAFT WHERE APPLICABLE MUST REMAIN WITHIN DIMENSIONS		THIRD ANGLE PROJECTION		DRAWING	SERIES	MATERIAL NUMBER	CUSTOMER	SHEET NUMBER
▽ = 0					A3-SIZE	207472	SEE CHART	GENERAL	2 OF 2