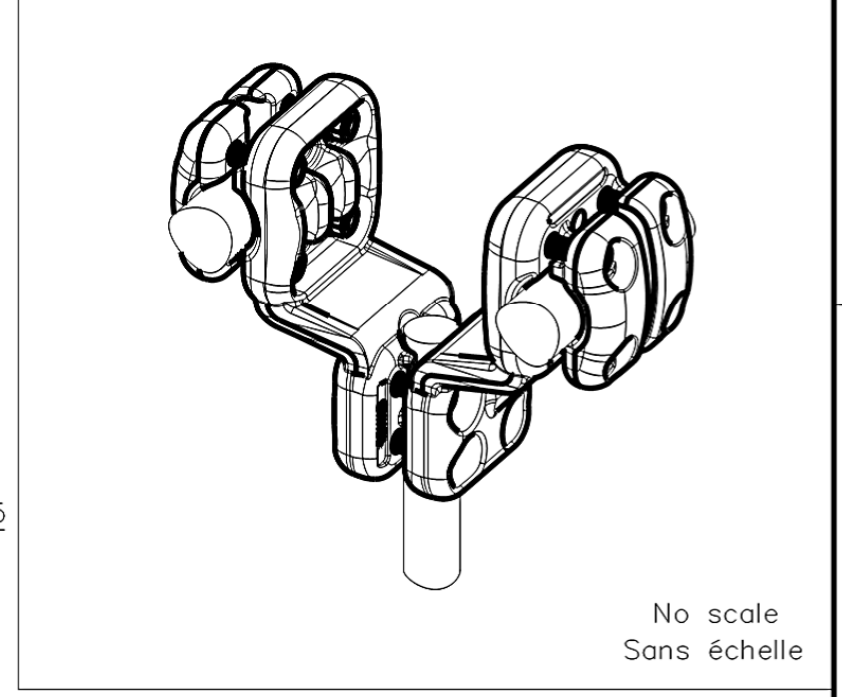
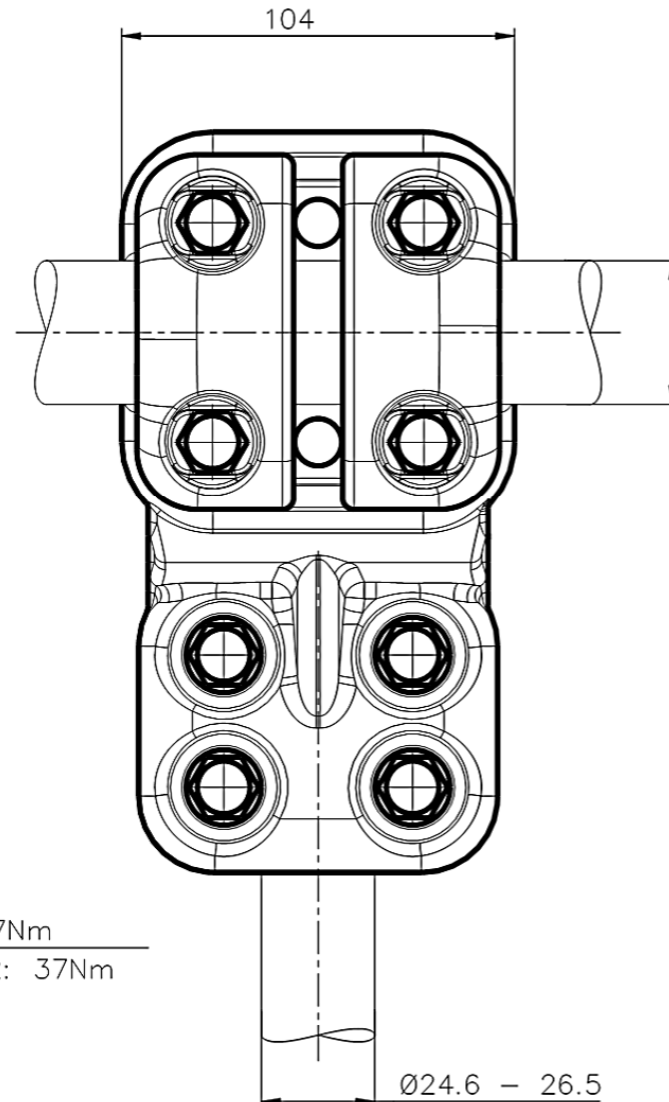
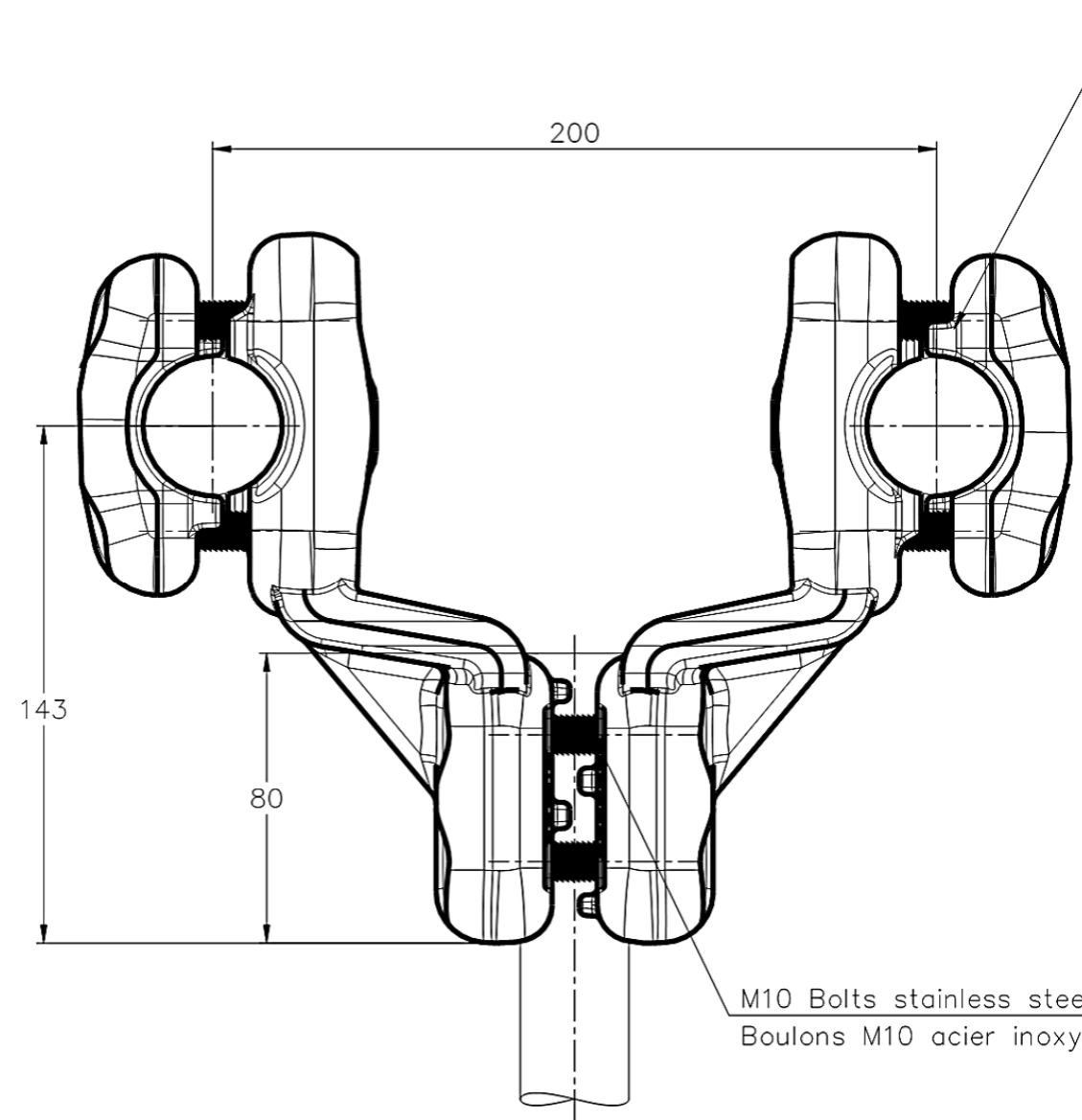


THIS DRAWING IS UNPUBLISHED. RELEASED FOR PUBLICATION -,-  
 © COPYRIGHT - By - ALL RIGHTS RESERVED.

REVISIONS					
P	LTR	DESCRIPTION	DATE	DWN	APVD
A		CREATION	22-JUN-18	GL	-



M10 Bolts stainless steel A2: 37Nm  
 Boulons M10 acier inoxydable A2: 37Nm

ITEM:.....

THIS DRAWING IS A CONTROLLED DOCUMENT.		DWN	22-JUN-18		<b>STE</b> TE Connectivity											
		CHK	LAFORGE													
DIMENSIONS: mm		APVD	-		NAME TEE CONNECTOR FOR TWIN TO SINGLE DERIVATION FAISCEAU DOUBLE VERS SIMPLE CABLE 5 CT 82 F M385 E200 S265											
TOLERANCES UNLESS OTHERWISE SPECIFIED:		PRODUCT SPEC	108-69096-001													
<table border="0"> <tr><td>0 PLC</td><td>± -</td></tr> <tr><td>1 PLC</td><td>± -</td></tr> <tr><td>2 PLC</td><td>± -</td></tr> <tr><td>3 PLC</td><td>± -</td></tr> <tr><td>4 PLC</td><td>± -</td></tr> <tr><td>ANGLES</td><td>± -</td></tr> </table>		0 PLC	± -	1 PLC	± -	2 PLC	± -	3 PLC	± -	4 PLC	± -	ANGLES	± -	APPLICATION SPEC	-	
0 PLC	± -															
1 PLC	± -															
2 PLC	± -															
3 PLC	± -															
4 PLC	± -															
ANGLES	± -															
MATERIAL		APPROX.WEIGHT	3.4 kg	SIZE	A3											
FINISH		CUSTOMER DRAWING		CAGE CODE	00779											
				DRAWING NO	C=2338679											
				RESTRICTED TO	-											
				SCALE	1:2											
				SHEET	1 of 1											
				REV	A											