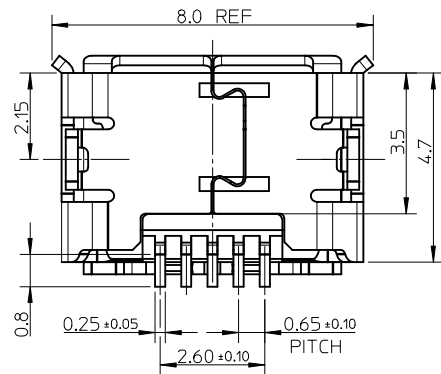


RECOMMENDED PCB PATTERN LAYOUT
GENERAL TOLERANCE: ±0.05

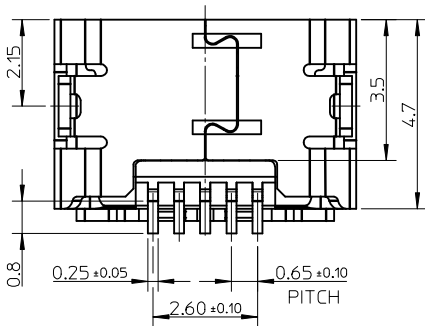
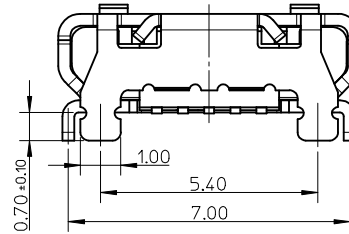
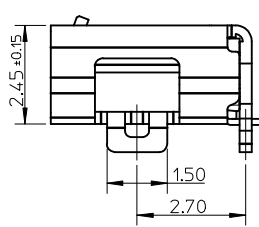
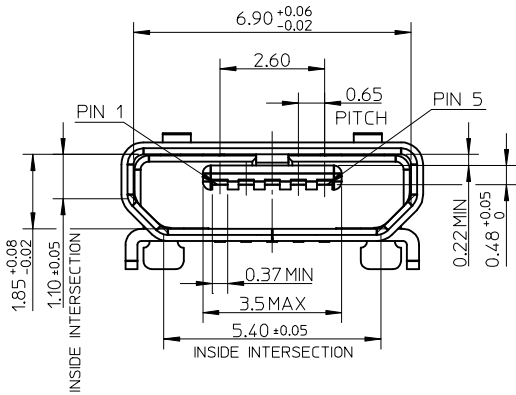
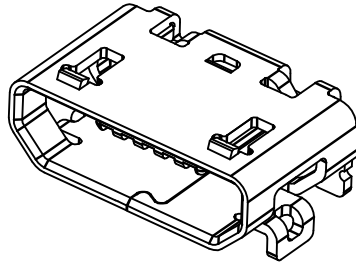
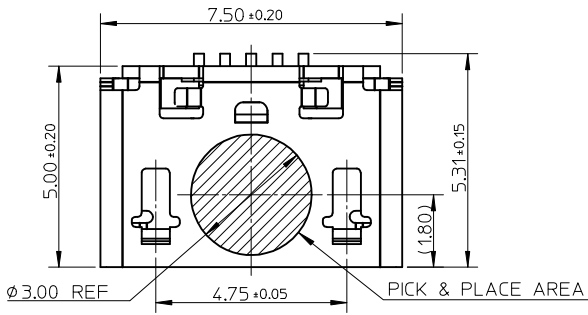


NOTES:

- MATERIAL:
HOUSING: LCP, BLACK, UL94V-0;
TERMINAL: COPPER ALLOY, THICKNESS: 0.15mm;
SHELL: STAINLESS STEEL, THICKNESS: 0.30mm.
- PLATING:
TERMINAL: CONTACT AREA: GOLD FLASH OVER MINIMUM 0.75 MICRON Pd/Ni;
SOLDER TAIL AREA: GOLD FLASH;
UNDER PLATING: NICKEL 2.0 MICRON MINIMUM.
SHELL: MATTE TIN 2.0 MICRON MINIMUM;
UNDER PLATING: NICKEL 1.27 MICRON MINIMUM.
- TAIL & NAIL COPLANARITY 0.08mm MAXIMUM.
- PRODUCT SPECIFICATION: PS-105017-001.
- PACKAGING SPECIFICATION: PK-105017-002.
- PRODUCT COMPLIANT TO RoHS DIRECTIVE 2002/95/EC AND ELV 2000/53/EC.

ADD PART NUMBER EC NO: SH2013-0123 DRWN:XZ/HANG 2012/10/23 CHKD:XZ/HANG 2012/10/23 APPR:AY/IN 2012/10/26	QUALITY SYMBOLS $\nabla_{\text{A}}=0$ $\nabla_{\text{C}}=0$ $\nabla_{\text{P}}=0$	GENERAL TOLERANCES (UNLESS SPECIFIED)		DIMENSION STYLE MM ONLY	SCALE 1:1	DESIGN UNITS METRIC	THIRD ANGLE PROJECTION
		4 PLACES ± --- ± --- 3 PLACES ± --- ± --- 2 PLACES ± 0.25 ± --- 1 PLACE ± 0.25 ± --- 0 PLACE ± --- ± ---	mm INCH	DRAWN BY XJSONG CHECKED BY APPROVED BY RZHANG DATE 2010/11/01 DATE 2010/11/01 DATE 2011/02/16	TITLE MICRO USB B REC. BOTTOM MOUNT WITH TH		
		ANGULAR ± 3 ° DRAFT WHERE APPLICABLE MUST REMAIN WITHIN DIMENSIONS	MATERIAL NO. 105017-0002	DOCUMENT NO. SD-105017-002	SHEET NO. 1 OF 2		
		THIS DRAWING CONTAINS INFORMATION THAT IS PROPRIETARY TO MOLEX INCORPORATED AND SHOULD NOT BE USED WITHOUT WRITTEN PERMISSION					

10 9 8 7 6 5 4 3 2 1



SEE SHEET 1 IEC NO: SH2013-0123 2012/10/23 DRWN:XQZHANG 2012/10/23 CH'KD:XQZHANG 2012/10/23 APPR:AYIN 2012/10/26	QUALITY SYMBOLS $\nabla_{\text{F}}=0$ $\nabla_{\text{G}}=0$ $\nabla_{\text{H}}=0$	GENERAL TOLERANCES (UNLESS SPECIFIED) <table border="1"> <thead> <tr> <th></th> <th>mm</th> <th>INCH</th> </tr> </thead> <tbody> <tr> <td>4 PLACES</td> <td>± ---</td> <td>± ---</td> </tr> <tr> <td>3 PLACES</td> <td>± ---</td> <td>± ---</td> </tr> <tr> <td>2 PLACES</td> <td>± 0.25</td> <td>± ---</td> </tr> <tr> <td>1 PLACE</td> <td>± 0.25</td> <td>± ---</td> </tr> <tr> <td>0 PLACE</td> <td>± ---</td> <td>± ---</td> </tr> </tbody> </table>		mm	INCH	4 PLACES	± ---	± ---	3 PLACES	± ---	± ---	2 PLACES	± 0.25	± ---	1 PLACE	± 0.25	± ---	0 PLACE	± ---	± ---	DIMENSION STYLE MM ONLY	SCALE 1:1	DESIGN UNITS METRIC	THIRD ANGLE PROJECTION
		mm	INCH																					
	4 PLACES	± ---	± ---																					
	3 PLACES	± ---	± ---																					
2 PLACES	± 0.25	± ---																						
1 PLACE	± 0.25	± ---																						
0 PLACE	± ---	± ---																						
			DRAWN BY XJSONG	DATE 2010/11/01	TITLE MICRO USB B REC. BOTTOM MOUNT WITH TH FLANGELESS TYPE																			
			CHECKED BY XJSONG	DATE 2010/11/01	APPROVED BY RZHANG																			
			MATERIAL NO. 105017-1002	DATE 2011/02/16	DOCUMENT NO. SD-105017-002	SHEET NO. 2 OF 2																		

9 8 7 6 5 4 3 2 1