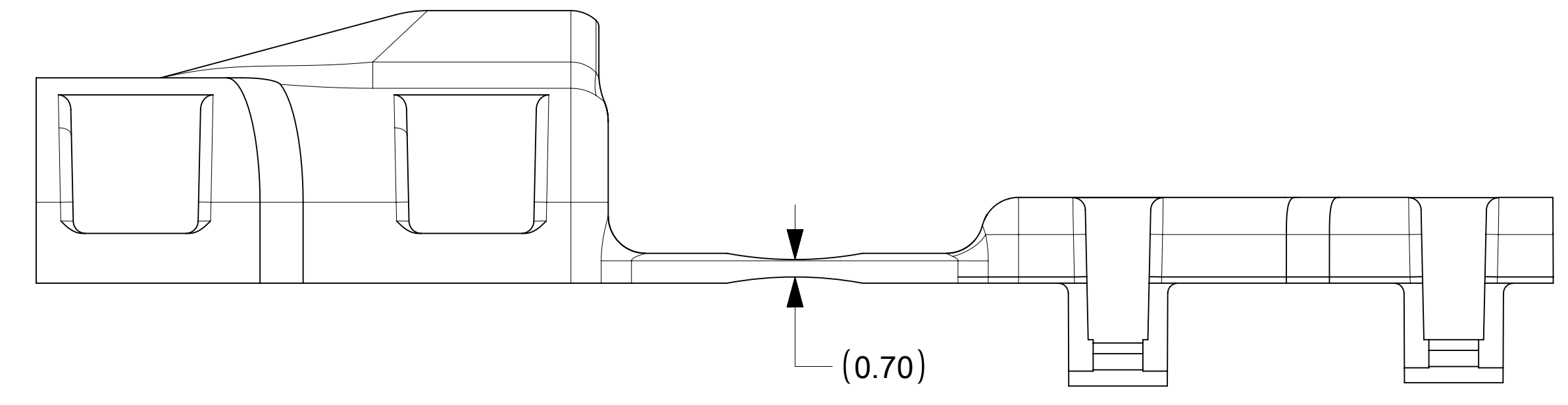


- NOTES: VALID UNLESS OTHERWISE SPECIFIED
- GENERAL
 - PRODUCT SPECIFICATION: 349670001
 - APPLICATION SPECIFICATION: 2130882410-AS
 - PACKAGING SPECIFICATION: PK-31301-898
 - COSMETIC SPECIFICATION: PS-45499-002
 - DIMENSIONS AND TOLERANCES PER ASME Y14.5-2009
 - MATES WITH: 34967-400X (MINI50 1X4 CONNECTOR)
 - MATERIALS
 - MATERIAL: PA66 NYLON 0% GF, UL94V-2, 25% REGRIND MAX BY WEIGHT
COLOR: BLACK

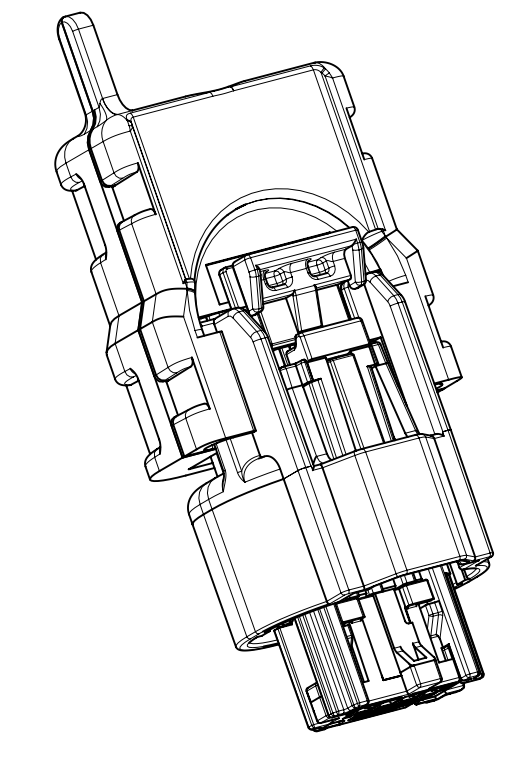


DATE CODE WHEEL

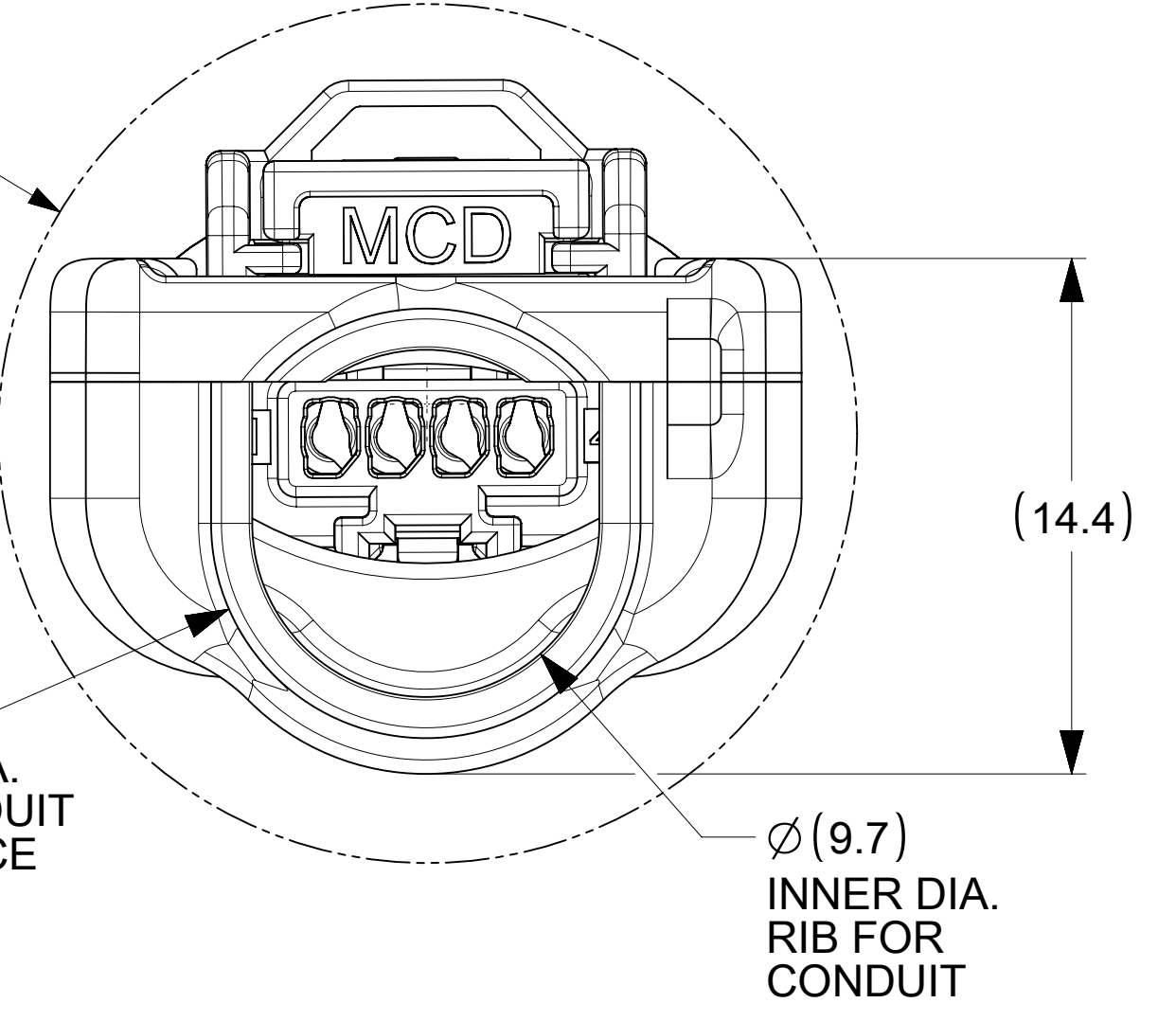
RECYCLE CODE

MOLEX SERIES NO.

MANUFACTURING LOCATION AND CAVITY ID



Ø(24.0)
RECOMMENDED MINIMUM
PASS-THRU DIAMETER



SCALE 2:1

SYMBOLS	THIS DRAWING CONTAINS INFORMATION THAT IS PROPRIETARY TO MOLEX ELECTRONIC TECHNOLOGIES, LLC AND SHOULD NOT BE USED WITHOUT WRITTEN PERMISSION		CURRENT REV DESC:		molex
	DIMENSION UNITS	SCALE			
▽ = 0	mm	5:1			MINI50 SEALED 1X4 BACKSHELL
▽ = 0	GENERAL TOLERANCES (UNLESS SPECIFIED)				PRODUCT CUSTOMER DRAWING
▽ = 0	ANGULAR TOL	± °			DOCUMENT NUMBER
▽ = 0	4 PLACES	±			2130885410
▽ = 0	3 PLACES	±			DOC TYPE
▽ = 0	2 PLACES	±			PSD
▽ = 0	1 PLACE	± 0.25			000
▽ = 0	0 PLACES	±			A
⊠ = 0	DRAFT WHERE APPLICABLE MUST REMAIN WITHIN DIMENSIONS		THIRD ANGLE PROJECTION	DRAWING	SERIES
▽ = 0				D-SIZE	213088
			MATERIAL NUMBER	CUSTOMER	SHEET NUMBER
			2130885410	GENERAL MARKET	1 OF 1